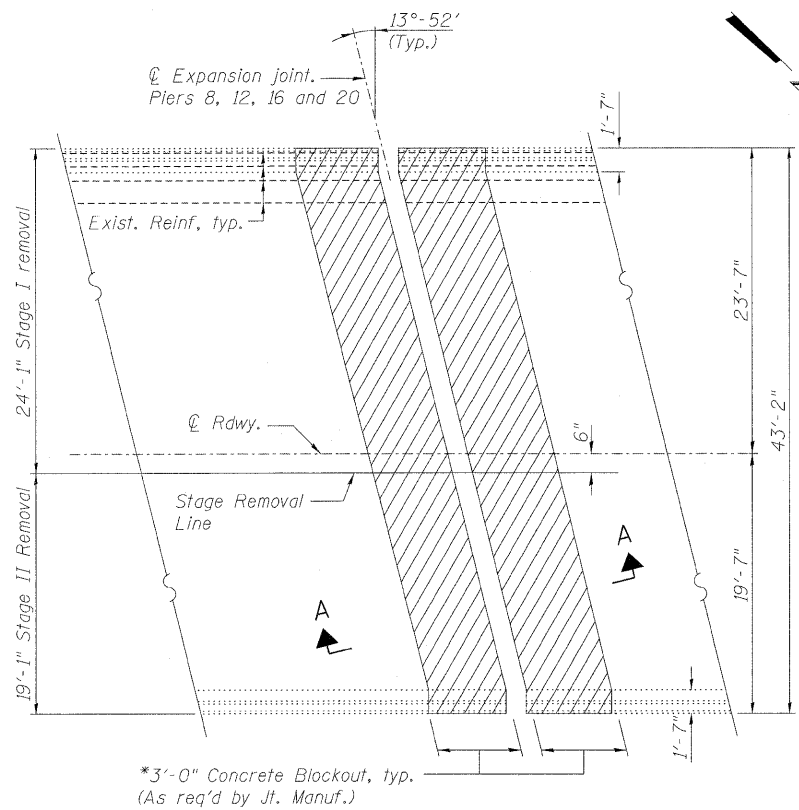
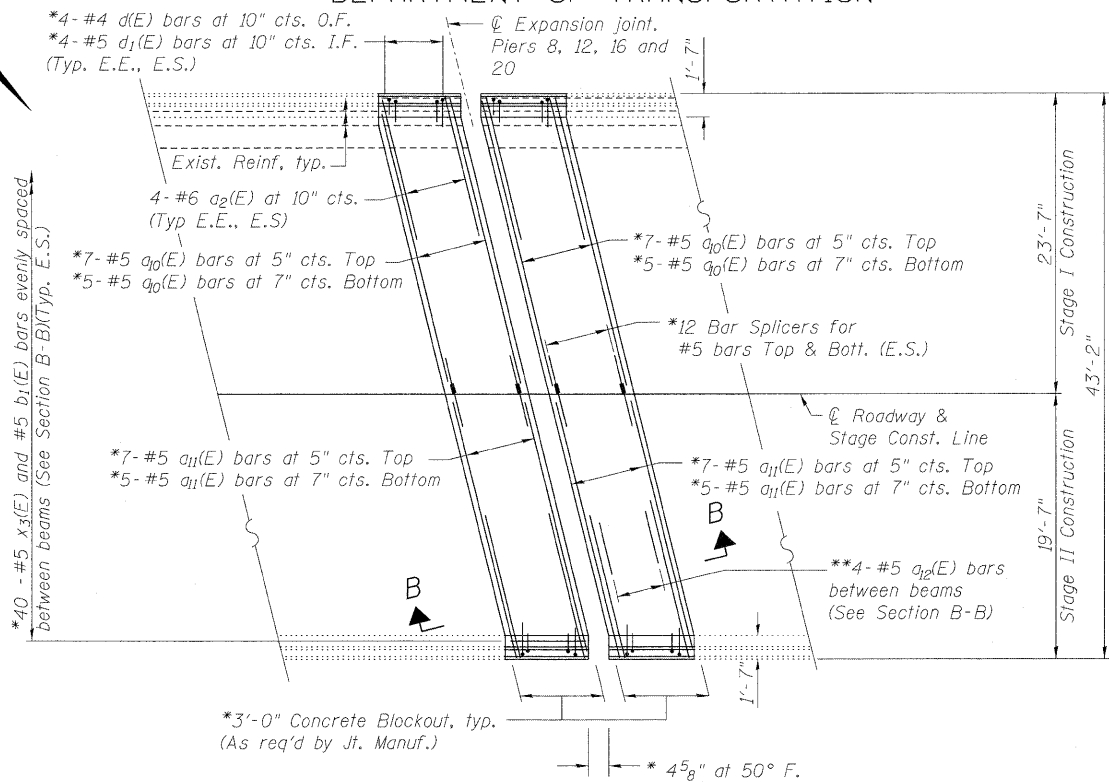


STATE OF ILLINOIS
DEPARTMENT OF TRANSPORTATION



PARTIAL PLAN SHOWING CONCRETE
REMOVAL AT PIERS 8, 12, 16 & 20

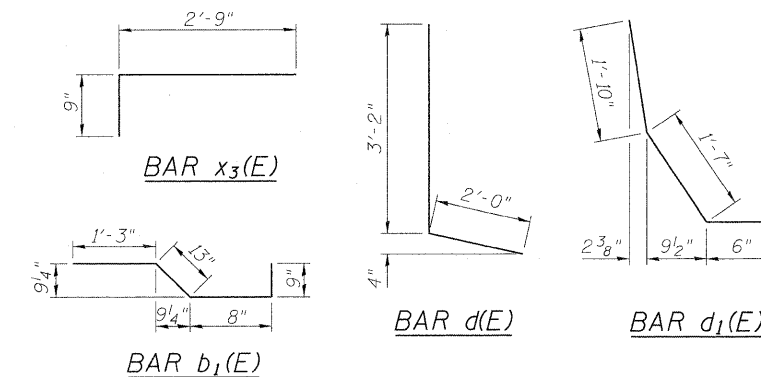


PARTIAL PLAN SHOWING CONCRETE
REPLACEMENT AT PIERS 8, 12, 16 & 20

* Length of blockout, width of joint and number of reinforcement bars needed may vary as required by joint Manufacturer.
** Bars to be placed so as to miss joint's support boxes. Cut to fit at Stage Construction Line

NOTES

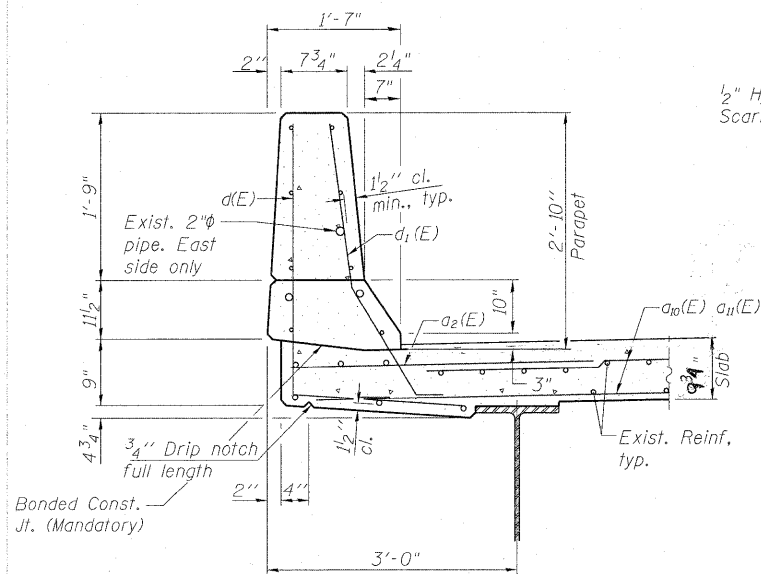
Hatched areas indicate concrete sections to be removed and replaced. Perimeters of concrete removal areas shall be saw cut 3/4" prior to removal of the concrete. Existing reinforcement shall be cleaned, straightened (if required) and incorporated into the new construction. Cost included with Concrete Removal. Drilling and epoxy grouting of reinforcement bars shall be in accordance with Article 584 of the Standard Specifications. Removal of the existing joint system is included with Concrete Removal. Modular expansion joints shall be assembled in their final relative position with the ends in place for shop inspection and acceptance.



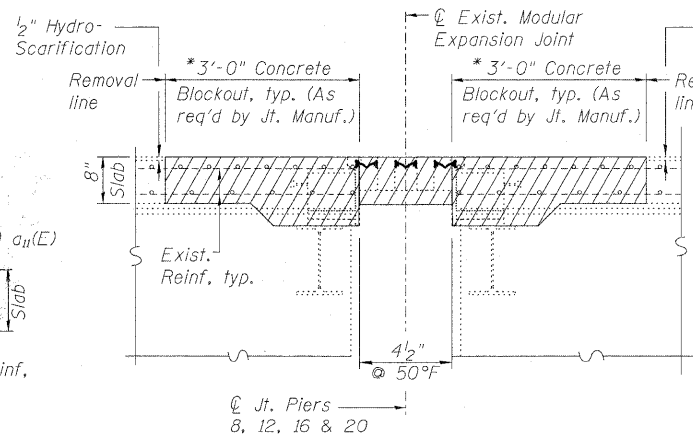
BILL OF MATERIAL
(4 Piers)

Bar	No.	Size	Length	Shape
a2(E)	64	#6	6'-0"	—
a10(E)	96	#5	23'-7"	—
a11(E)	96	#5	19'-6"	—
a12(E)	128	#5	9'-1"	—
b1(E)	320	#5	3'-9"	—
d(E)	64	#4	5'-2"	—
d1(E)	64	#5	3'-11"	—
x3(E)	320	#5	3'-6"	—
Concrete Removal			Cu. Yd.	37.2
Concrete Superstructure			Cu. Yd.	42.8
Modular Expansion Joint, 6"			Foot	173
Reinforcement Bars, Epoxy Coated			Pounds	9010

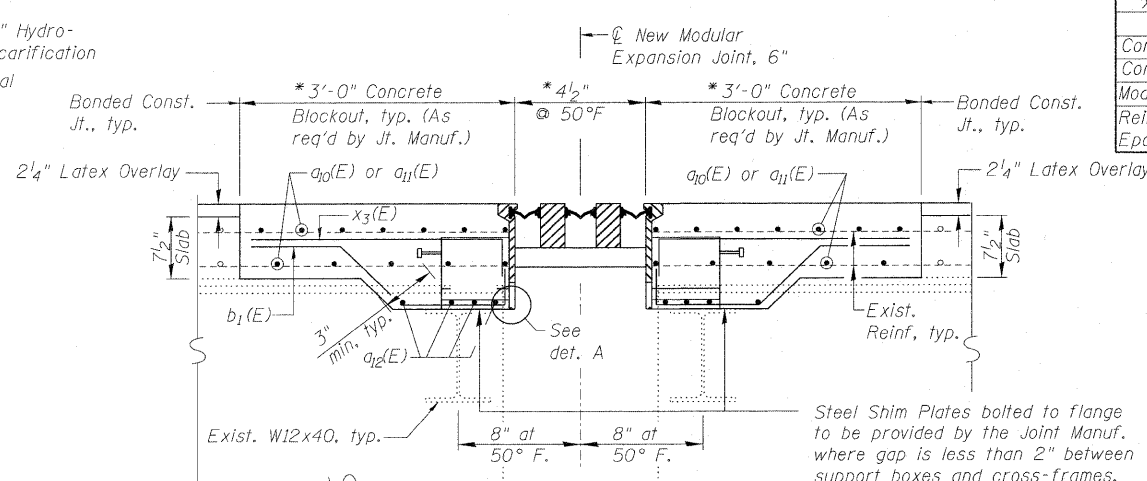
DETAIL A



SECTION THRU PARAPET



SECTION A-A



SECTION B-B

(Cut or bend reinforcement bars as req'd to miss support boxes by 1/2")

Steel Shim Plates bolted to flange to be provided by the Joint Manuf. where gap is less than 2" between support boxes and cross-frames. Cost is included with Modular Expansion Joint 6".

LEGEND

E.E. = Each End
E.S. = Each Side
I.F. = Inside Face
O.F. = Outside Face

JOINT DETAILS, PIERS
8, 12, 16 & 20 (1 of 2)
STRUCTURE NO. 016-2407

	SHEET NO. 16	F.A.P. RTE. 330	SECTION 462 X-B-I	COUNTY COOK	TOTAL SHEETS 54	SHEET NO. 36
	27 SHEETS				CONTRACT NO. 60J37	
ILLINOIS FED. AID PROJECT						