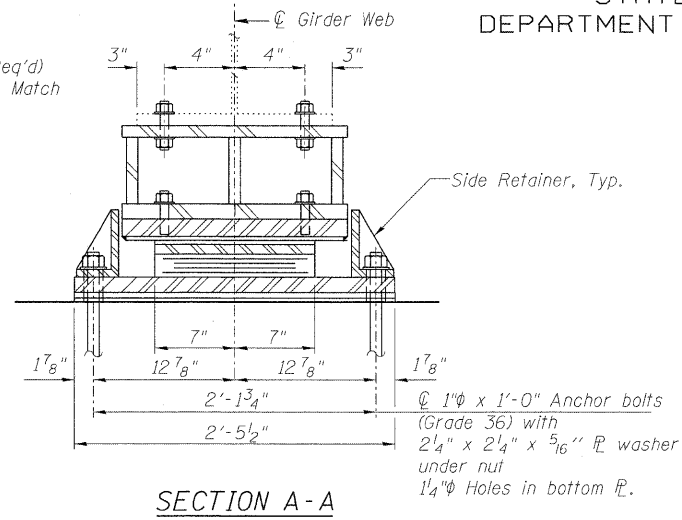
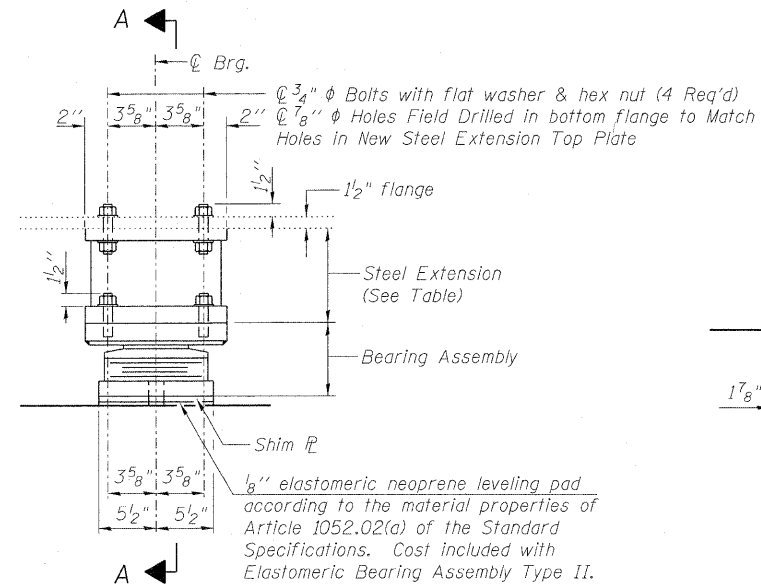
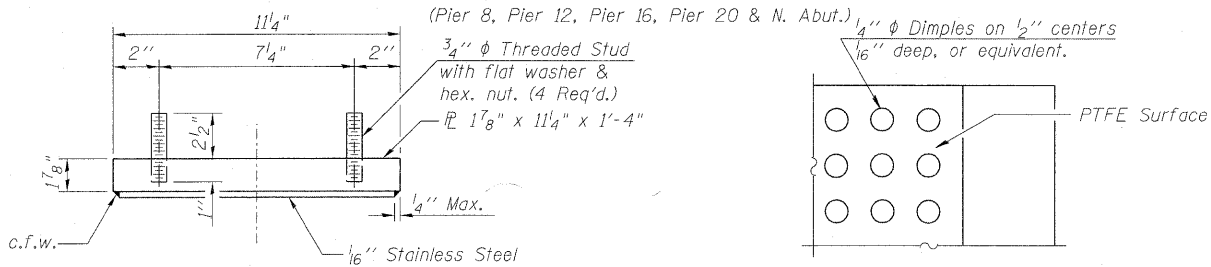


STATE OF ILLINOIS  
DEPARTMENT OF TRANSPORTATION

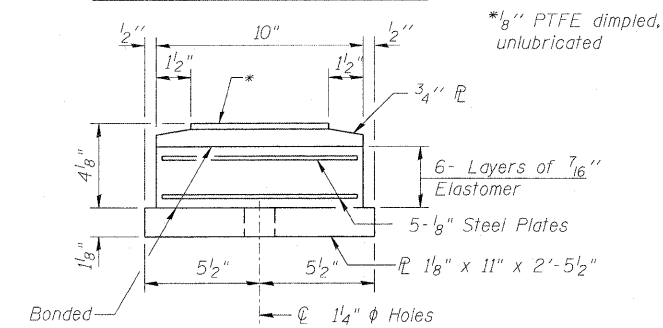


SECTION A-A

**TYPE II ELASTOMERIC EXP. BRG.**

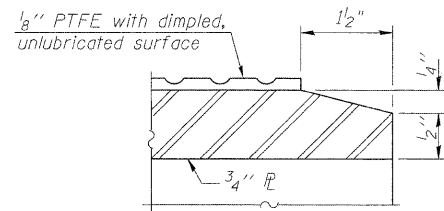


TOP BEARING ASSEMBLY

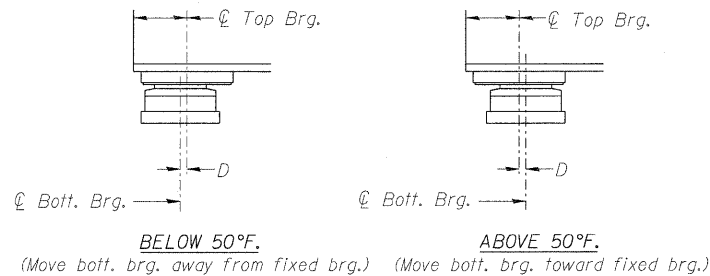


BOTTOM BEARING ASSEMBLY

PLAN-PTFE SURFACE

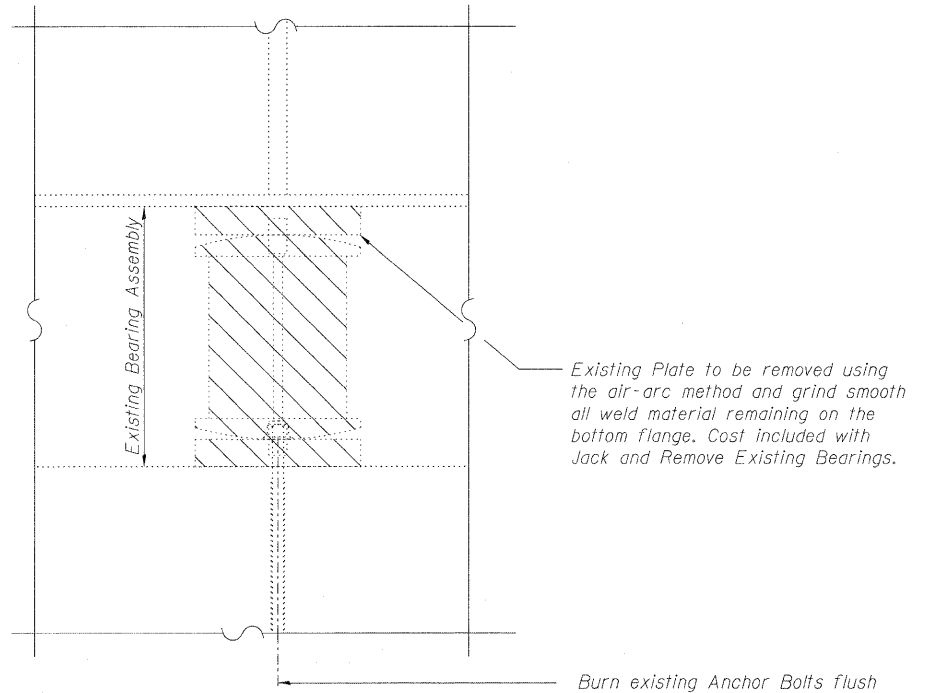


SECTION THRU PTFE



**SETTING ANCHOR BOLTS AT EXP. BRG.**

D=1/8" per each 100' of expansion for every 15° temp. change from the normal temp. of 50°F.



EXISTING BEARING REMOVAL DETAIL

Existing Plate to be removed using the air-arc method and grind smooth all weld material remaining on the bottom flange. Cost included with Jack and Remove Existing Bearings.  
Burn existing Anchor Bolts flush with existing concrete surface. Grind existing anchor bolt smooth and seal with epoxy. Cost included with Jack and Remove Existing Bearings.

**STEEL EXTENSION DIMENSIONS**

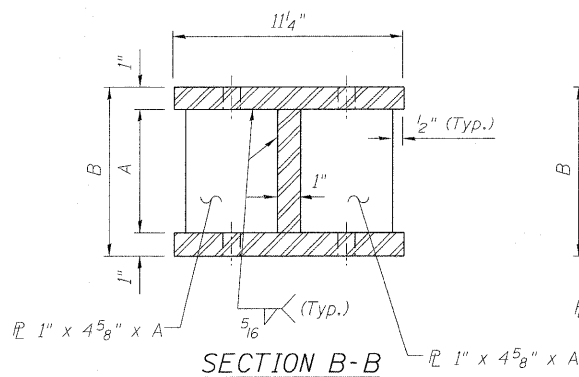
Location	A	B
Pier 8 S	4 15/16"	6 15/16"
Pier 8 N	4 15/16"	6 15/16"
Pier 12 S	4 15/16"	6 15/16"
Pier 12 N	4 15/16"	6 15/16"
Pier 16 S	4 13/16"	6 13/16"
Pier 16 N	4 13/16"	6 13/16"
Pier 20 S	5 9/16"	7 9/16"
Pier 20 N	4 15/16"	6 15/16"
N. Abut.	5 3/16"	7 3/16"

**BILL OF MATERIAL**

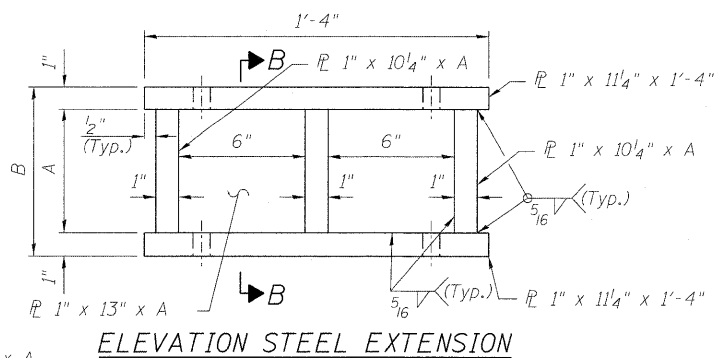
Item	Unit	Total
Elastomeric Bearing Assembly Type II	Each	45
Anchor Bolts, 1"	Each	90
Jack and Remove Existing Bearings	Each	45
Furnishing and Erecting Structural Steel	Pound	7630

**GIRDER REACTION TABLE**

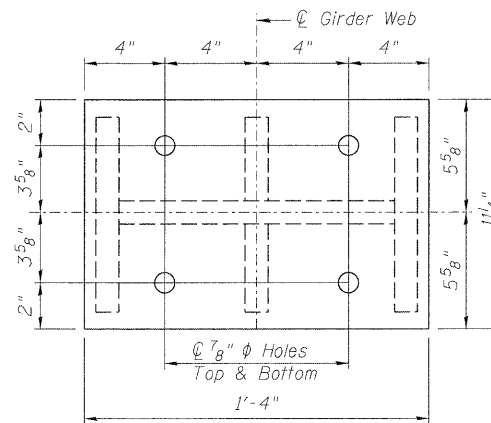
	Pier 8 S	Pier 8 N	Pier 12 S	Pier 12 N	Pier 16 S	Pier 16 N	Pier 20 S	Pier 20 N	N. Abut.
Dead Load (K)	54.1	54.8	54.8	54.3	54.3	53.4	53.4	56.7	44.0
Live Load (K)	57.3	57.3	57.3	57.2	57.2	57.2	57.2	56.7	55.4
Impact (K)	13.3	13.2	13.2	13.3	13.3	13.3	13.3	13.2	13.9
Total (K)	124.7	125.3	125.3	124.8	124.8	123.9	123.9	126.6	113.3
Min. Jack Capacity (Tons)	70	70	70	70	70	70	70	70	60



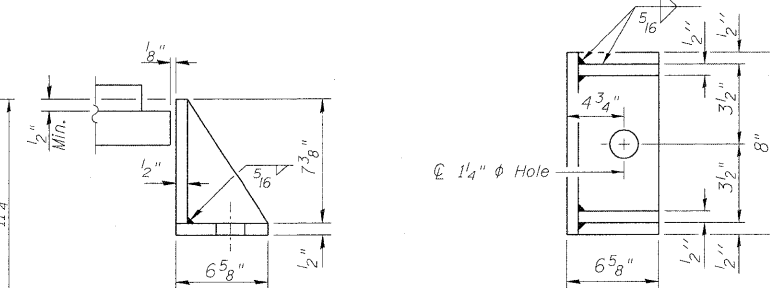
SECTION B-B



ELEVATION STEEL EXTENSION



PLAN STEEL EXTENSION



**SIDE RETAINER**

Equivalent rolled angle with stiffeners will be allowed in lieu of welded plates.

**BEARING DETAILS (2 of 3)  
STRUCTURE NO. 016-2407**

 LIN ENGINEERING LTD. Consulting Engineers Chatham, Illinois	SHEET NO. 21	F.A.P. RTE. 330	SECTION 462 X-B-I	COUNTY COOK	TOTAL SHEETS 54	SHEET NO. 41
	27 SHEETS	CONTRACT NO. 60J37		ILLINOIS FED. AID PROJECT		