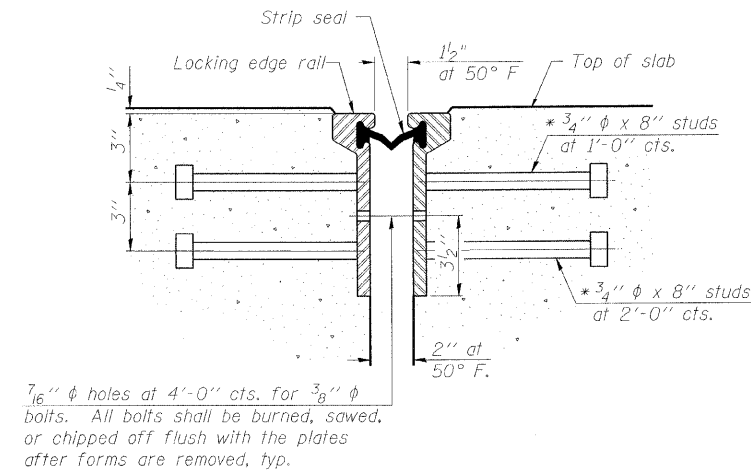
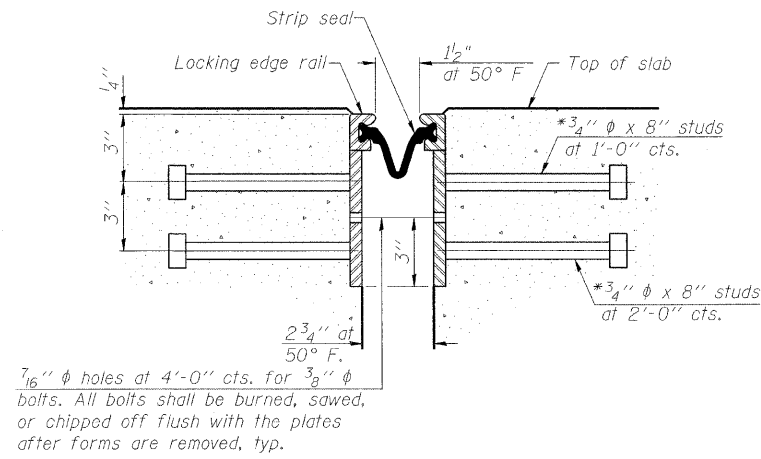


* Granular or solid flux filled headed studs conforming to Article 1006.32 of the Std. Specs., automatically end welded.

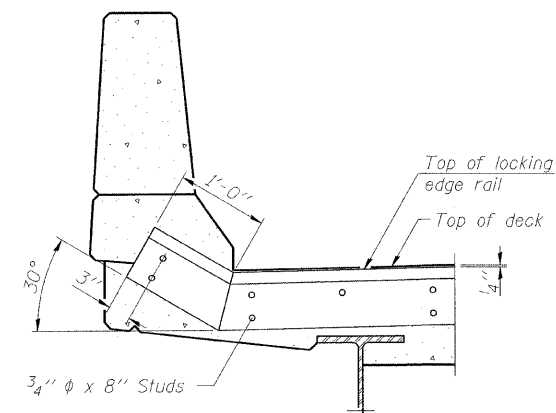
STATE OF ILLINOIS
DEPARTMENT OF TRANSPORTATION



SECTION THRU
ROLLED RAIL JOINT

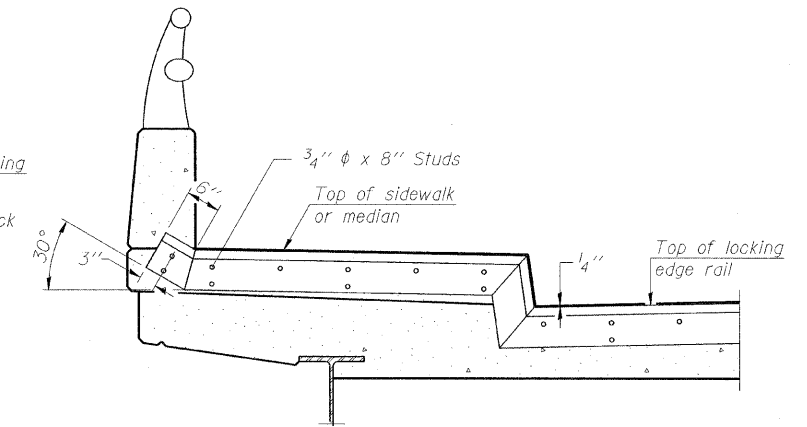


SECTION THRU
WELDED RAIL JOINT



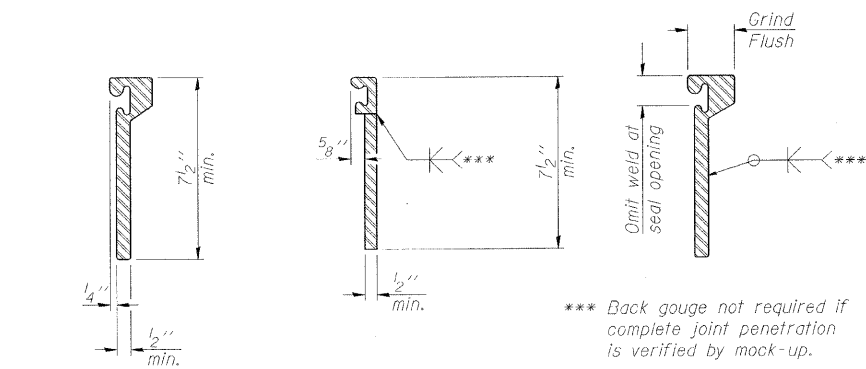
AT PARAPET

See Section A-A for end treatment of skew > 30°.



AT SIDEWALK OR MEDIAN

Shorter plates with a single row of studs at 12" cts. may be necessary on medians which are shallower than 9". See manufacturer's recommendation.



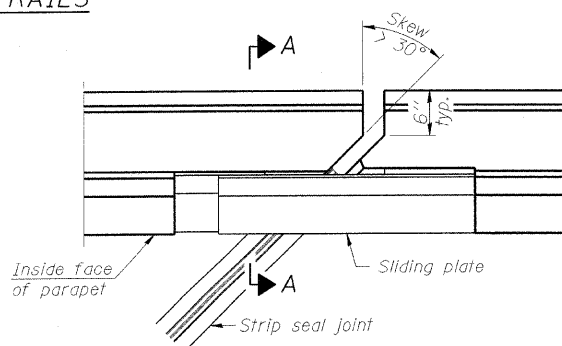
ROLLLED
EXTRUDED RAIL

WELDED RAIL

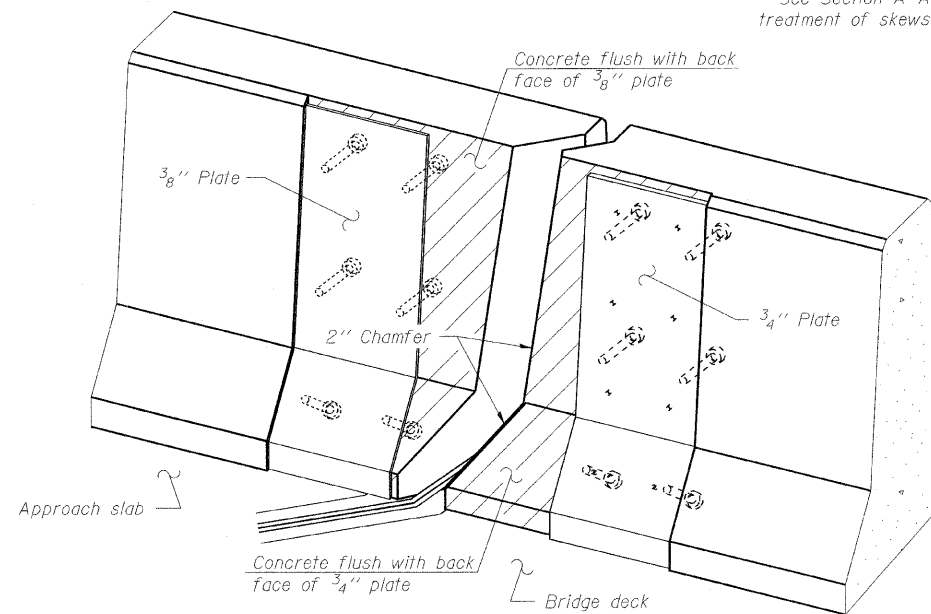
LOCKING EDGE
RAIL SPLICE

The inside of the locking edge rail groove shall be free of weld residue.
Rolled rail shown, welded rail similar.

LOCKING EDGE RAILS



PLAN



TYPICAL END TREATMENTS

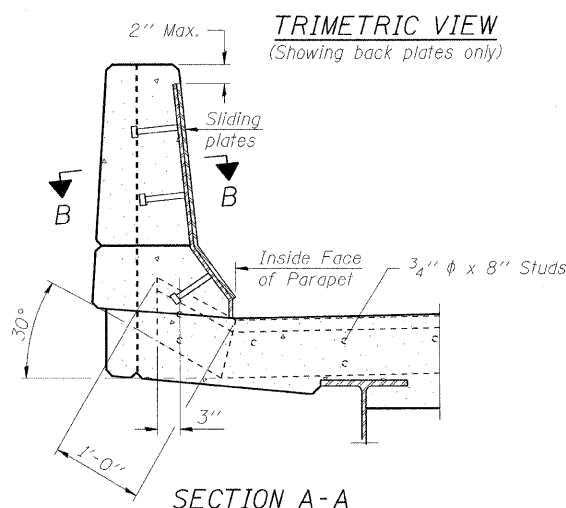
Notes:

The strip seal shall be made continuous and shall have a minimum thickness of 1/4". The configuration of the strip seal shall match the configuration of the Locking Edge Rails. Open or "webbed" strip seal gland configurations are not permitted. The gland shall be sized for a maximum rated movement of 4 inches. The Locking Edge Rails depicted are conceptual only, except for the minimum dimensions shown. The actual configuration of the Locking Edge Rails and matching strip seal may vary from manufacturer to manufacturer. Flanged edge rails will not be allowed. Locking Edge Rails may be spliced at slope discontinuities.

The manufacturer's recommended installation methods shall be followed. The joint opening and deck dimensions detailed on the superstructure are based on a rolled rail expansion joint. If the Contractor elects to use the welded rail expansion joint, the opening and deck dimensions shall be modified according to the dimensions detailed on this sheet. Required modifications shall be made at no additional cost to the State.

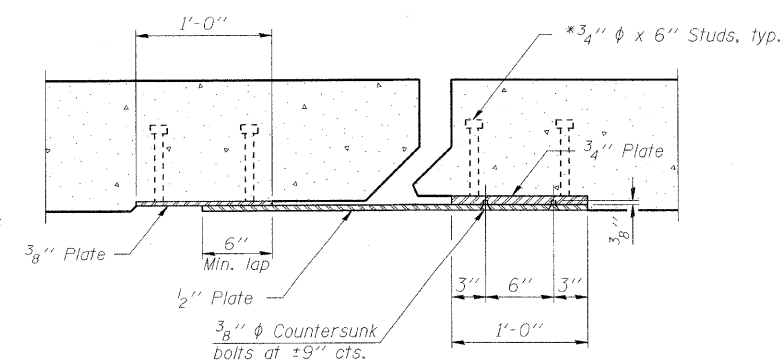
All steel components shall be galvanized after fabrication according to Article 520.03 of the Standard Specifications.

Maximum space between rail segments at stage lines shall be 3/16", sealed with a suitable sealant.



SECTION A-A

POINT BLOCK DETAILS
(for skew > 30°)



SECTION B-B

BILL OF MATERIAL

Item	Unit	Total
Preformed Joint Strip Seal	Foot	196

PREFORMED JOINT STRIP SEAL
STRUCTURE NO. 016-0942

DESIGNED	A. Seiber
CHECKED	J. Hamelka
DRAWN	A. Seiber
CHECKED	J. Hamelka

EXAMINED	January, 2010
PASSED	ENGINEER OF STRUCTURAL SERVICES
	ENGINEER OF BRIDGES AND STRUCTURES

EJ-SSJ

11-1-09

SHEET NO. S7 OF S9 SHEETS	F.A.P. RTE. 377	SECTION 2009-1171	COUNTY COOK	TOTAL SHEETS 15	SHEET NO. 11
CONTRACT NO. 60J50					
ILLINOIS FED. AID PROJECT					