

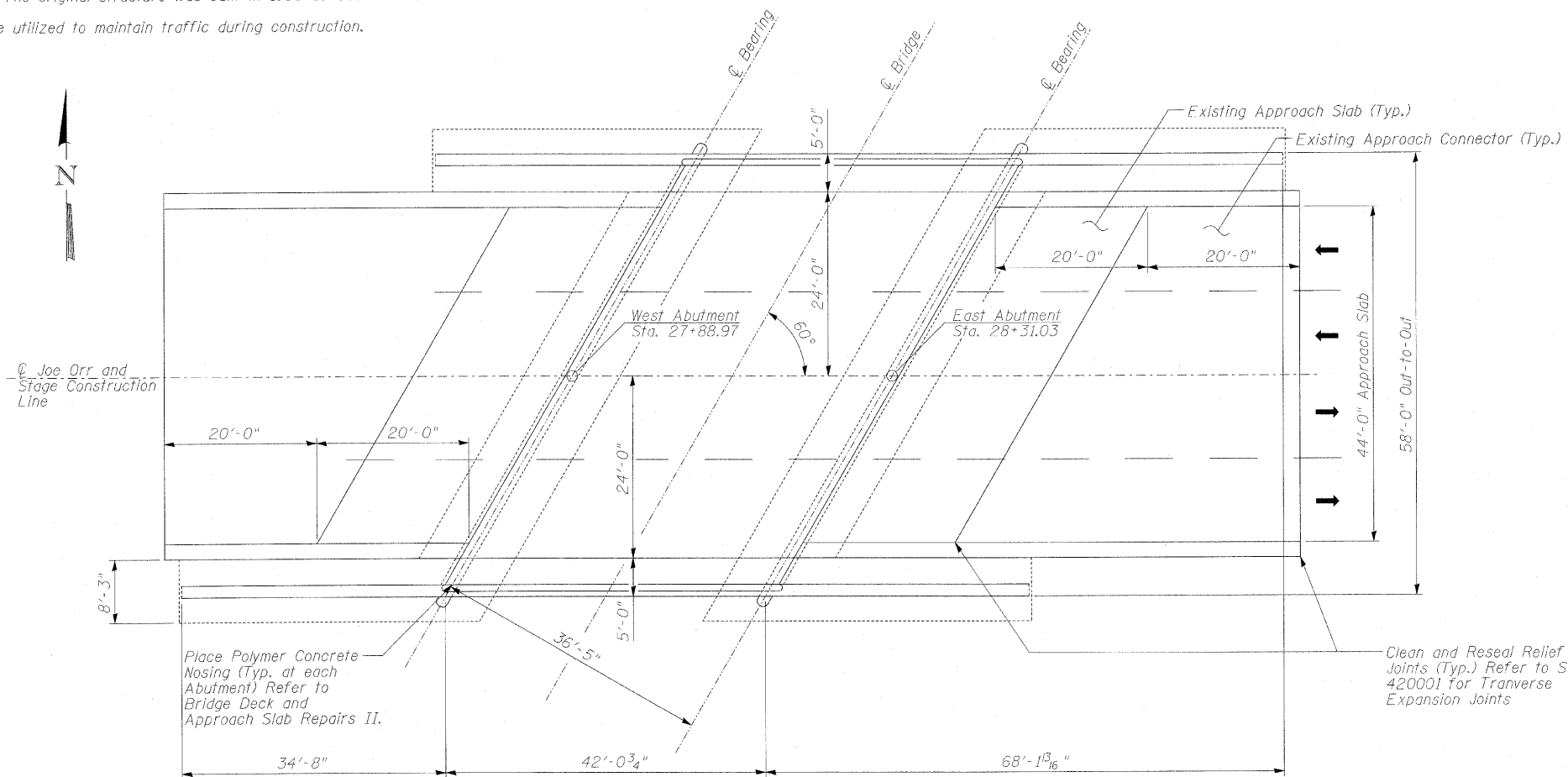
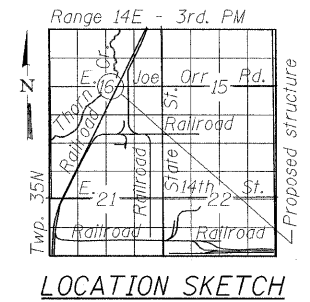
STATE OF ILLINOIS  
DEPARTMENT OF TRANSPORTATION

Existing Structure:

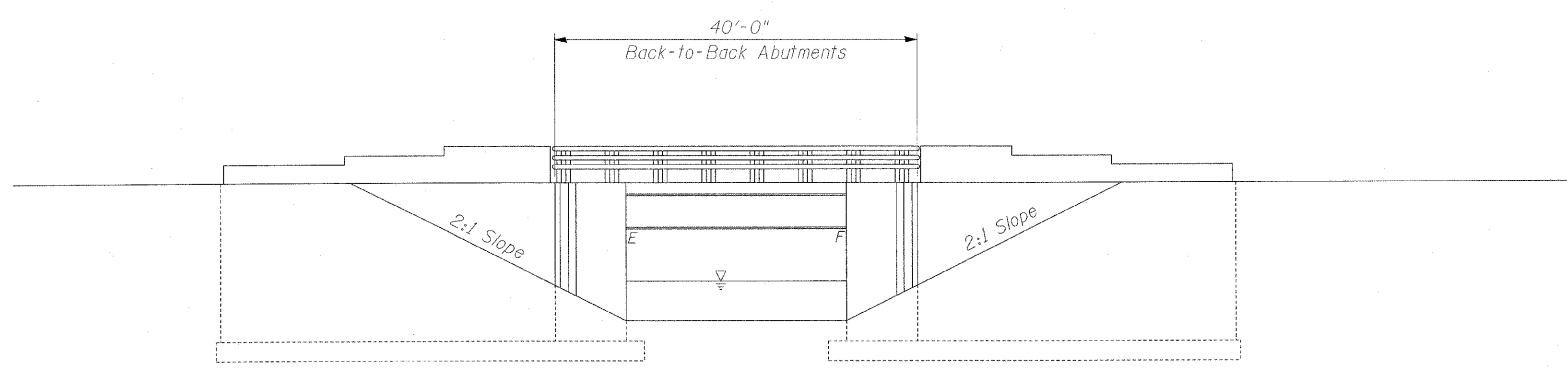
The existing structure is a single span steel beam bridge with a 7 inch reinforced concrete deck and a hot-mix asphalt overlay. The original structure was built in 1958 as Section 200-0505.1-M.F.T.

Staged construction shall be utilized to maintain traffic during construction.

No salvage.



PLAN



ELEVATION

DESIGN SPECIFICATIONS

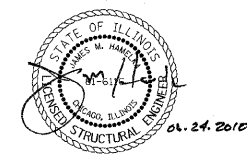
AASHTO Standard Specifications  
for Highway Bridges, 17th Edition

DESIGN STRESSES

$f'_c = 3,500$  psi  
 $f_y = 60,000$  psi

SCOPE OF WORK

1. Bridge deck and approach overlay removal.
2. Bridge deck hydro-scarification.
3. Repair bridge deck.
4. Repair approach slabs.
5. Place new overlay.
6. Place Polymer Concrete nosing at joints at abutments.
7. Repair substructure.
8. Clean and reseal pavement relief joints.



COLLINS ENGINEERS, INC.  
JAMES M. HAMELKA  
NO. 81-6116  
EXPIRES 11-30-2010

GENERAL PLAN AND ELEVATION  
JOE ORR BRIDGE OVER THORN CREEK  
COOK COUNTY  
STRUCTURE NO. 016-0919

DESIGNED JWK	2010
CHECKED JMH	EXAMINED
DRAWN TWR	PASSED
CHECKED JWK	ENGINEER OF BRIDGES AND STRUCTURES

SHEET NO. S1 OF S6 SHEETS	F.A.U. RTE. 1631	SECTION 2009-123I	COUNTY COOK	TOTAL SHEETS 12	SHEET NO. 5
	CONTRACT NO. 60J77				
ILLINOIS FED. AID PROJECT					