

STATE OF ILLINOIS
DEPARTMENT OF TRANSPORTATION

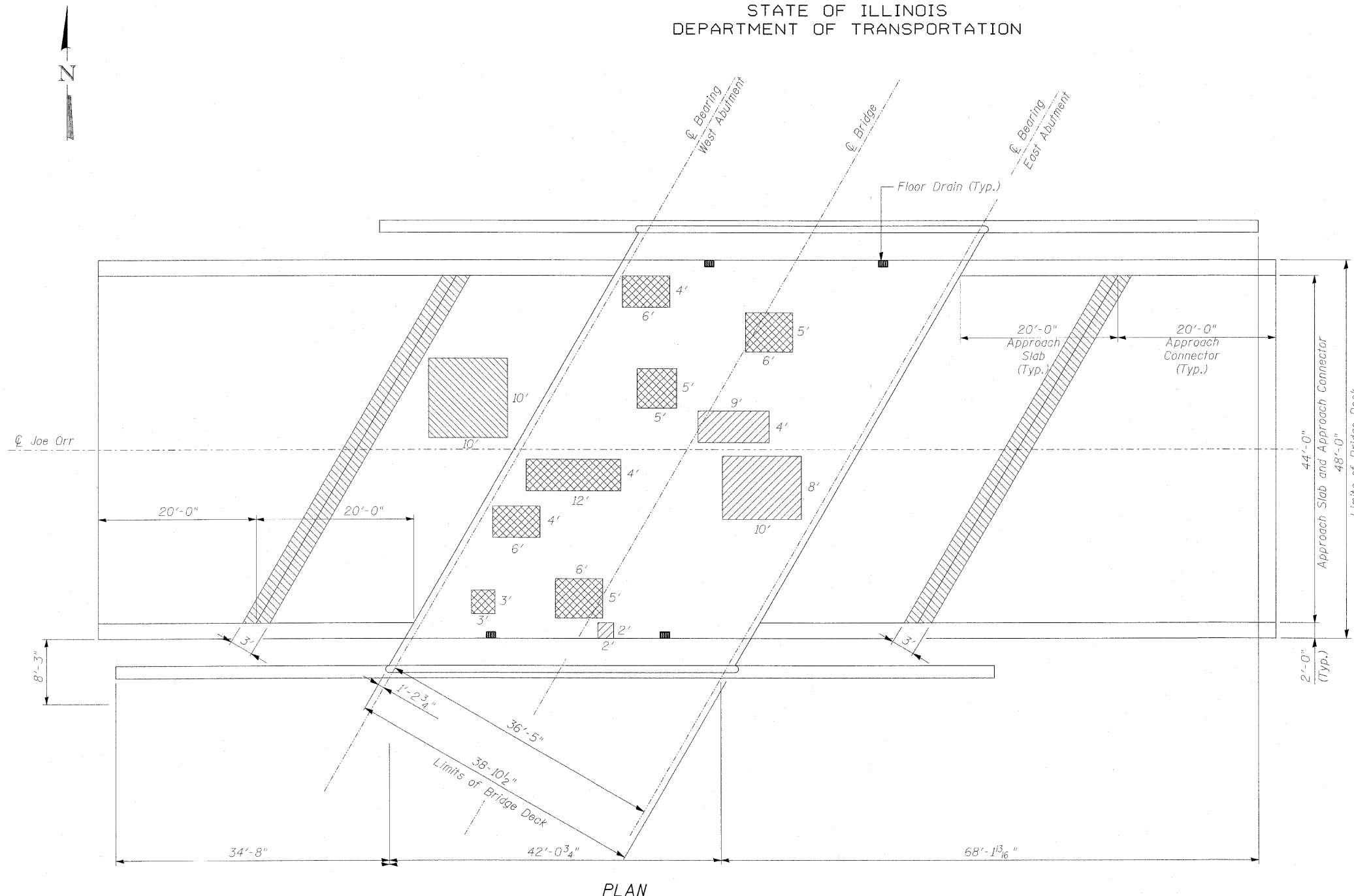
BILL OF MATERIAL

SYMBOL	ITEM	UNIT	QUANTITY
	Deck Slab Repair (Partial) Δ	Sq. Yd.	14
	Deck Slab Repair (Full Depth - Type II)	Sq. Yd.	22
	Approach Slab Repair (Partial Depth)	Sq. Yd.	46
	Protective Coat	Sq. Yd.	287
	Bridge Deck Grooving	Sq. Yd.	231
	Hot-Mix Asphalt Surface Removal (Deck)	Sq. Yd.	240
	Bridge Deck Latex Concrete Overlay 2 1/4"	Sq. Yd.	240
	Bridge Deck Hydro-Scarification 1/2"	Sq. Yd.	240
	Hot-Mix Asphalt Surface Course, Mix "D", N70	Ton	44
	Hot-Mix Asphalt Surface Removal, 1 1/2"	Sq. Yd.	518
	Bituminous Materials (Prime Coat)	Gallon	53

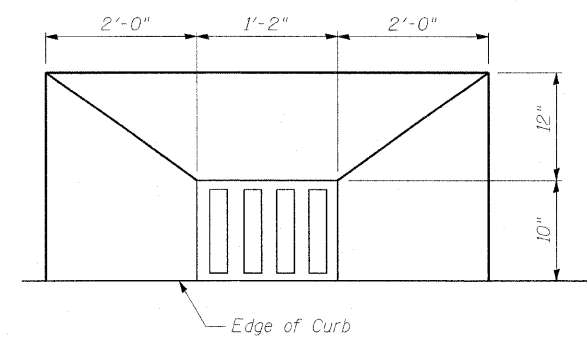
Δ For information only to assist the Contractor in bidding. See Special Provision for "Bridge Deck Latex Concrete Overlay."

Notes:

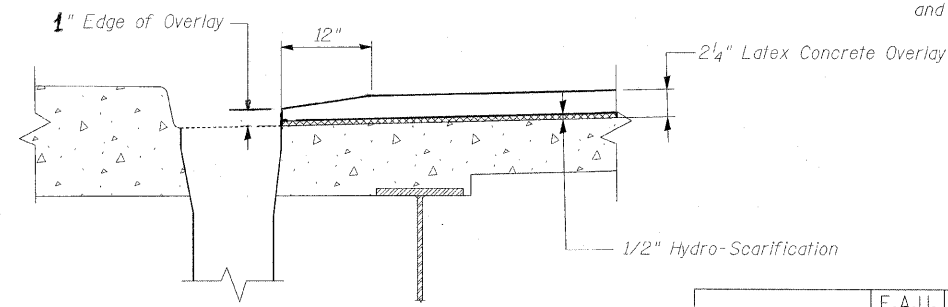
- Deck and approach slab repair areas are based on visual inspection completed in October 2009. Actual repair areas and locations shall be determined by the Engineer and shown on As-Built plans.
- Deck drains (downspouts, floor drains, and scuppers) shall be cleaned prior to placement of the Latex Concrete Overlay. Cost of cleaning the deck drains is included in Bridge Deck Hydro-Scarification, 1/2".
- Gaps caused by distress around floor drains shall be filled with epoxy as specified in Section 590 of the Standard Specification. Cost included with Bridge Deck Hydro-Scarification, 1/2".
- Hot-Mix Asphalt surface removal (deck), bridge deck hydro-scarification, bridge deck latex concrete overlay, protective coat and bridge deck grooving shall be performed over the limits of the bridge deck. The protective coat will also be applied to the bridge sidewalks. The item for Hot-Mix Asphalt surface removal (Deck) shall include removal of the full thickness of the existing overlay.
- Hot-Mix Asphalt Surface Removal, 1 1/2" Bituminous Materials (Prime Coat) and Hot-Mix Asphalt Surface Course, Mix "D", N70 shall be performed over the limits of the approach pavements and approach pavement connectors.



PLAN



PLAN AT FLOOR DRAIN



SECTION AT FLOOR DRAIN

DESIGNED <u>JWK</u>	2010
CHECKED <u>JMH</u>	EXAMINED
DRAWN <u>TWR</u>	PASSED
CHECKED <u>JWK</u>	ENGINEER OF STRUCTURAL SERVICES
	ENGINEER OF BRIDGES AND STRUCTURES

SHEET NO. S4 OF S6 SHEETS	F.A.U. RTE.	SECTION	COUNTY	TOTAL SHEETS	SHEET NO.
	1631	2009-1231	COOK	12	8
CONTRACT NO. 60J77					
ILLINOIS FED. AID PROJECT					

BRIDGE DECK AND
APPROACH SLAB REPAIRS I
STRUCTURE NO. 016-0919