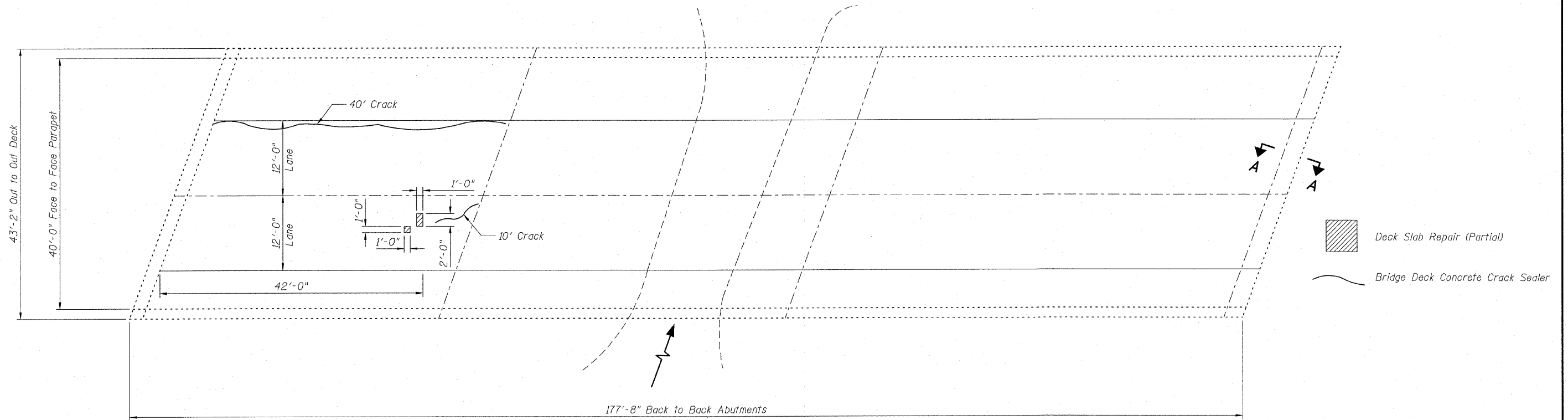
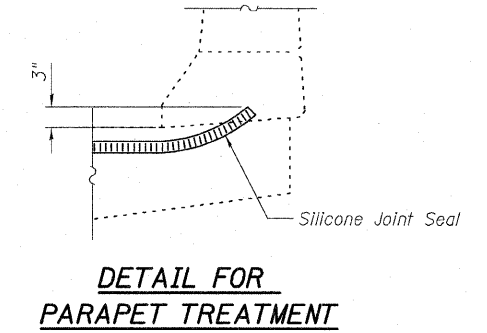
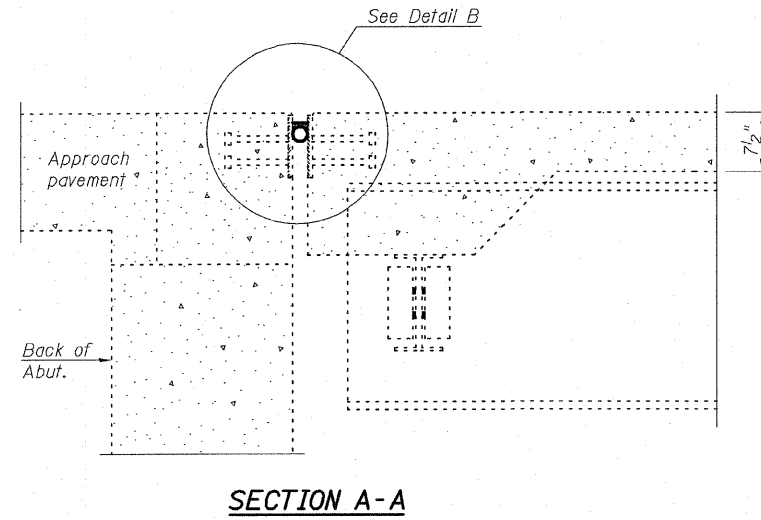
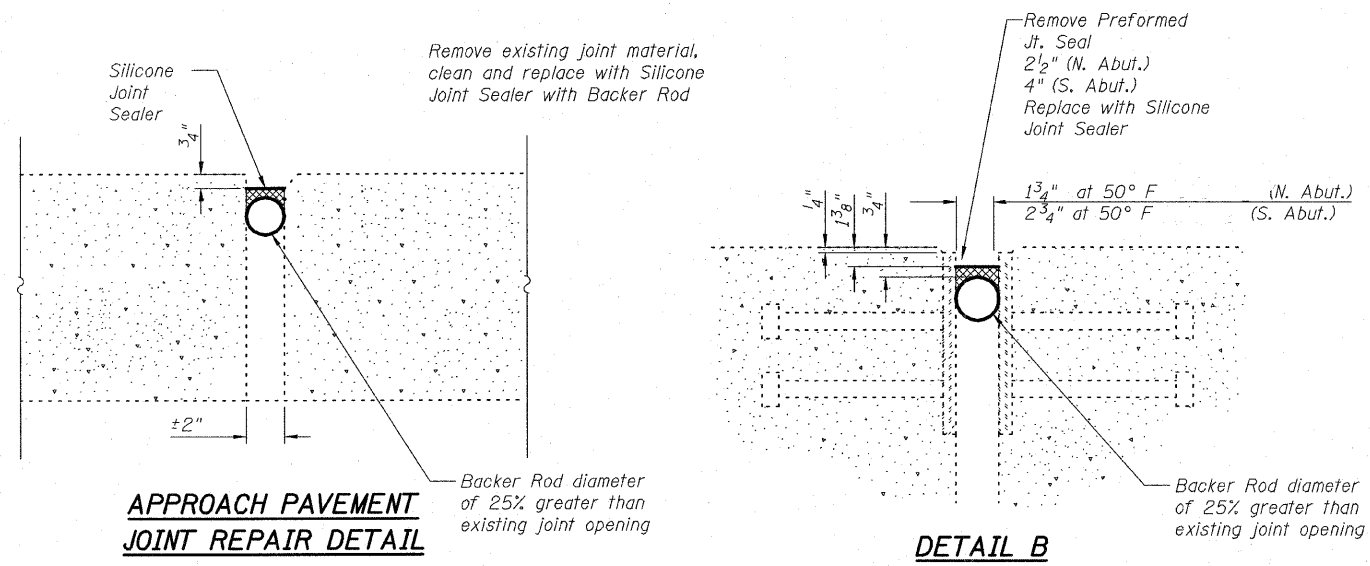


STATE OF ILLINOIS
DEPARTMENT OF TRANSPORTATION

NOTE:

The limits and locations of repairs shown on the Deck Plan are taken from the most recent Survey performed by the District in October 2009.



DECK PLAN

DECK REPAIRS & JOINT DETAIL
STRUCTURE NO. 099-0005

DESIGNED	BRT
CHECKED	BJM
DRAWN	JNH
CHECKED	BJM



Wight & Company
2500 North Frontage Road, Darien, IL 60561
630.969.7000 630.969.7979 fax
Design Firm Registration 184-000451

SHEET NO. 3 3 SHEETS	F.A.I. RTE.	SECTION	COUNTY	TOTAL SHEETS	SHEET NO.
	55	99 (1+2) RS-12	WILL	110	80
			CONTRACT NO. 60K04		
FED. ROAD DIST. NO. ILLINOIS FED. AID PROJECT					