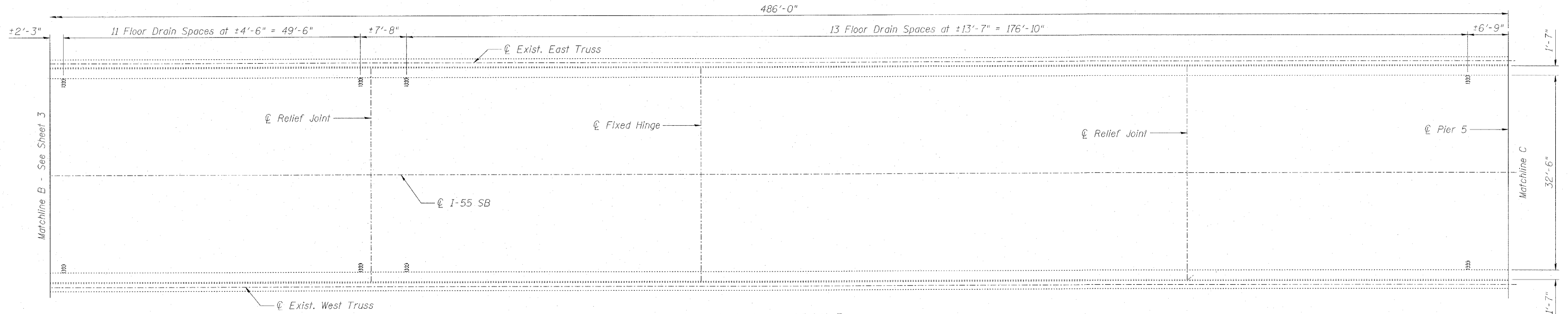


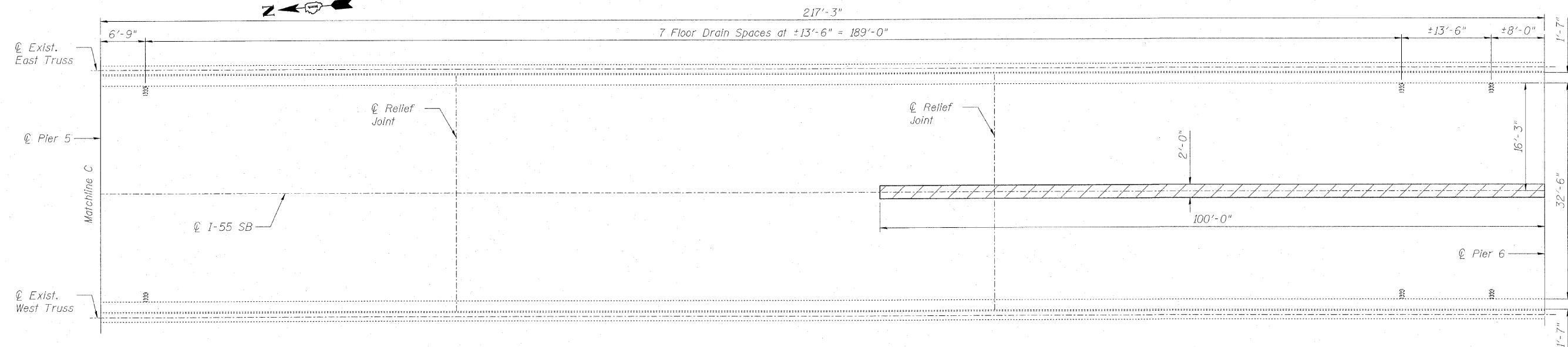
STATE OF ILLINOIS
DEPARTMENT OF TRANSPORTATION

NOTE:

The limits and locations of Partial Depth Patch, Mix "F", N90 shown on the Deck Plan are taken from the most recent Survey performed by the District in October 2009.



REPAIR PLAN - SPAN 5



REPAIR PLAN - SPAN 6

DECK REPAIR PLANS
SPANS 5 & 6
STRUCTURE NO. 099-0009

LEGEND:



Partial Depth Patch, Mix "F", N90



Wight & Company
2500 North Frontage Road . Darien . IL 60561
630.969.7000 630.969.7979 fax
Design Firm Registration 184-000451

DESIGNED	BRT
CHECKED	BJM
DRAWN	JNH
CHECKED	BJM

SHEET NO. 4 4 SHEETS	F.A.I. RTE.	SECTION	COUNTY	TOTAL SHEETS	SHEET NO.
	55	99 (1&2) RS-12	WILL	110	88
CONTRACT NO. 60K04					
FED. ROAD DIST. NO. _ ILLINOIS FED. AID PROJECT					