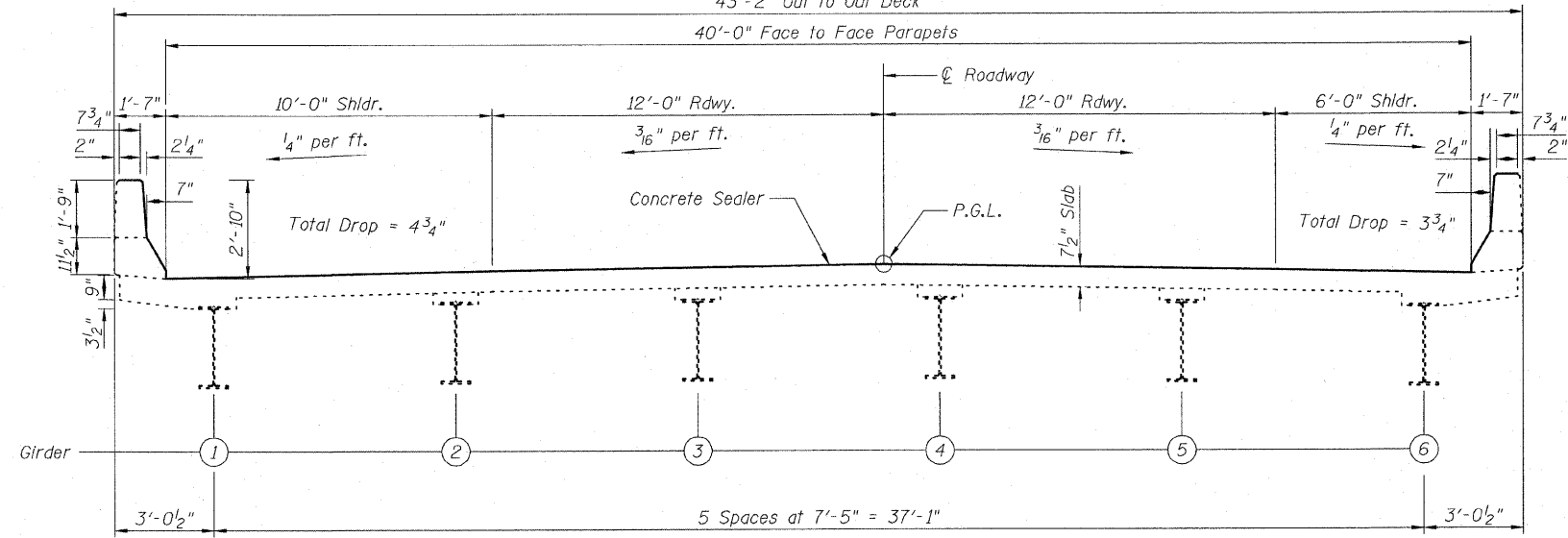
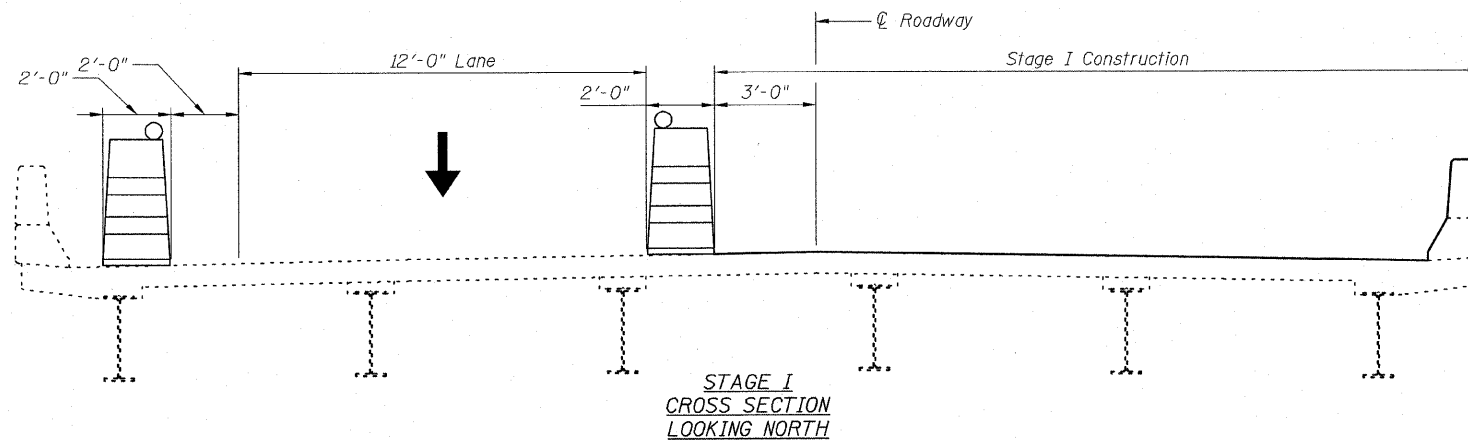


STATE OF ILLINOIS  
DEPARTMENT OF TRANSPORTATION

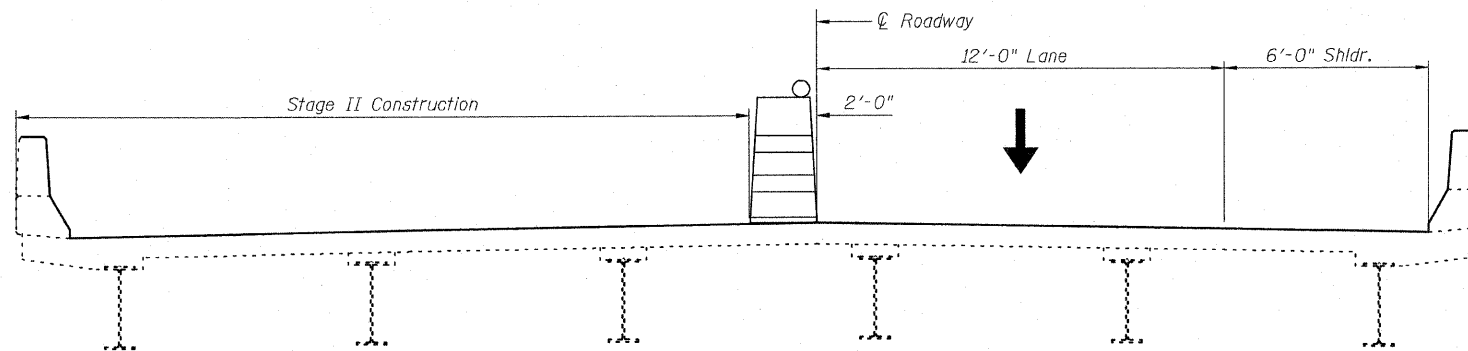
43'-2" Out to Out Deck



**CROSS SECTION**  
(LOOKING NORTH)



**STAGE I  
CROSS SECTION  
LOOKING NORTH**



**STAGE II  
CROSS SECTION  
LOOKING NORTH**

**CONSTRUCTION STAGING**

**CROSS SECTION &  
CONSTRUCTION STAGING  
STRUCTURE NO. 099-0304**

Note: Stage I and Stage II lane closures to be staged to allow for installation of a continuous expansion joint membrane.

DESIGNED	BRT
CHECKED	BJM
DRAWN	KMS
CHECKED	BJM



Wight & Company  
2500 North Frontage Road, Darien, IL 60561  
630.969.7000 630.969.7979 fax  
Design Firm Registration 184-000451

SHEET NO. 2	F.A.I. RTE.	SECTION	COUNTY	TOTAL SHEETS	SHEET NO.
	55	99 (1+2) 2S-12	WILL	110	96
5 SHEETS	CONTRACT NO. 60204				
FED. ROAD DIST. NO. _ ILLINOIS FED. AID PROJECT					

1/27/2010 10:40:37 AM Default G:\ENG\06-5359-02 D1 Various Structure\CA0\0990304\SH\0990304\_002\_Section.dgn