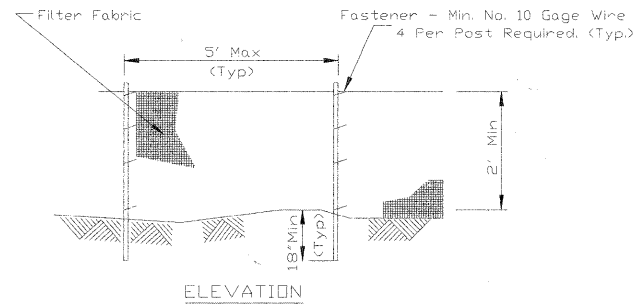


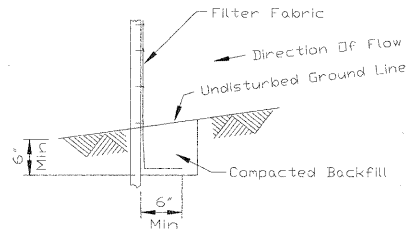
PLAN	REVIEWED	DATE
	PLOTTED	
	CHECKED	
	FILED	
	NO.	

PROFILE	REVIEWED	DATE
	PLOTTED	
	CHECKED	
	FILED	
	NO.	

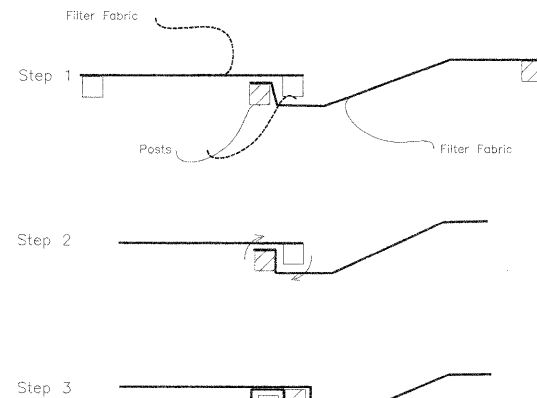
SILT FENCE PLAN  
IL-620



ELEVATION



FABRIC ANCHOR DETAIL



ATTACHING TWO SILT FENCES

NOTES:

Temporary sediment fence shall be installed prior to any grading work in the area to be protected. They shall be maintained throughout the construction period and removed in conjunction with the final grading and site stabilization.

Filter fabric shall meet the requirements of material specification 592 Geotextile Table 1 or 2, Class I with equivalent opening size of at least 30 for nonwoven and 50 for woven.

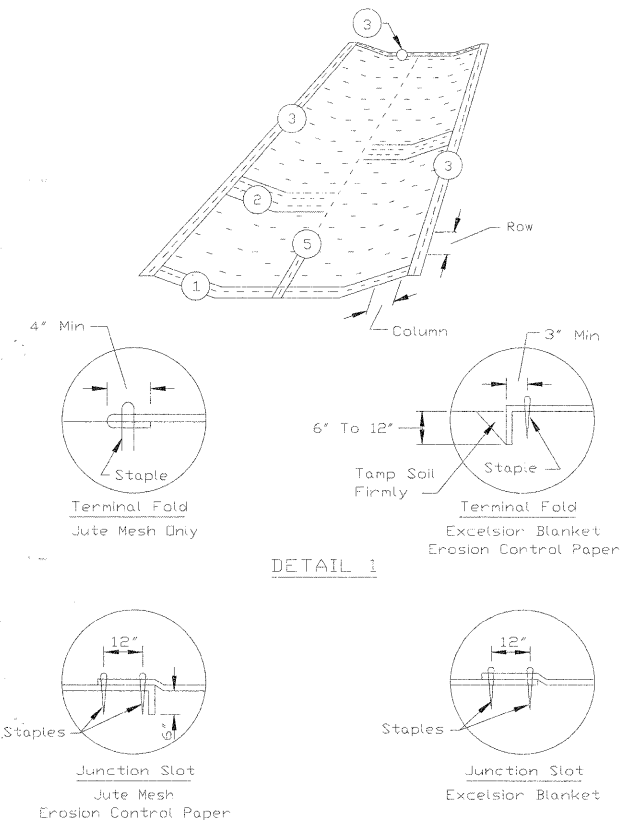
Fence posts shall be either standard steel post or wood post with a minimum cross-sectional area of 3.0 sq. in.

NOTES:

- Place the end post of the second fence inside the end post of the first fence.
- Rotate both posts at least 180 degrees in a clockwise direction to create a tight seal with the fabric material.
- Drive both posts a minimum of 18 inches into the ground and bury the flap.

IL-620(W)

EROSION BLANKET PLAN  
IL-530

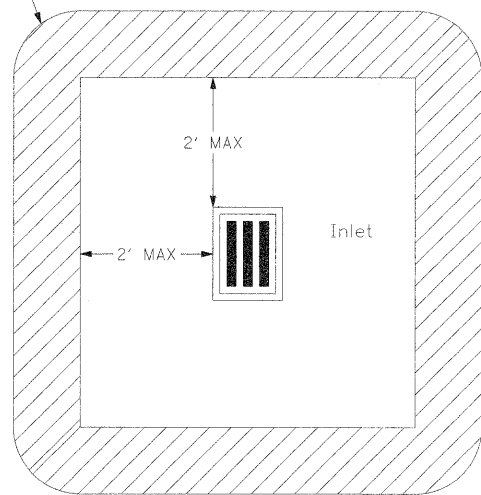


DETAIL 1

DETAIL 2

Rolled Excelsior Logs Staked Every 2 Feet

INLET PROTECTION



PLAN

NOTES:

- The immediate land area around the inlet should be relatively flat (less than 1% slope) and located so that the accumulated sediment can be easily removed.
- The inside edge of the ditch checks shall be a maximum of 2 feet from the edge of the inlet.
- Filter fabric shall meet the requirements of material specification 592 GEOTEXTILE Table 1 or 2, Class 1 with AOS of at least 30 for nonwoven and 50 for woven.
- Filter fabric will be placed beneath the grate inside the inlet covers.

FILE NAME =	USER NAME = #USER#	DESIGNED - DEB	REVISED -	<b>STATE OF ILLINOIS DEPARTMENT OF TRANSPORTATION</b>	<b>EROSION CONTROL PLAN DETAILS</b>			F.A.U. RTE. 2185	SECTION 05-00068-00-FP	COUNTY DUPAGE	TOTAL SHEETS 141	SHEET NO. 78			
#FILEL#		DRAWN - TMC	REVISED -					SCALE: N.T.S.	SHEET NO. 1 OF 3 SHEETS	STA. TO STA.	RIFORD ROAD RECONSTRUCTION CONTRACT NO. 63092				
		CHECKED - DEB	REVISED -					FED. ROAD DIST. NO. 1 [ILLINOIS] FED. AID PROJECT							
		DATE - 12/01/2009	REVISED -												