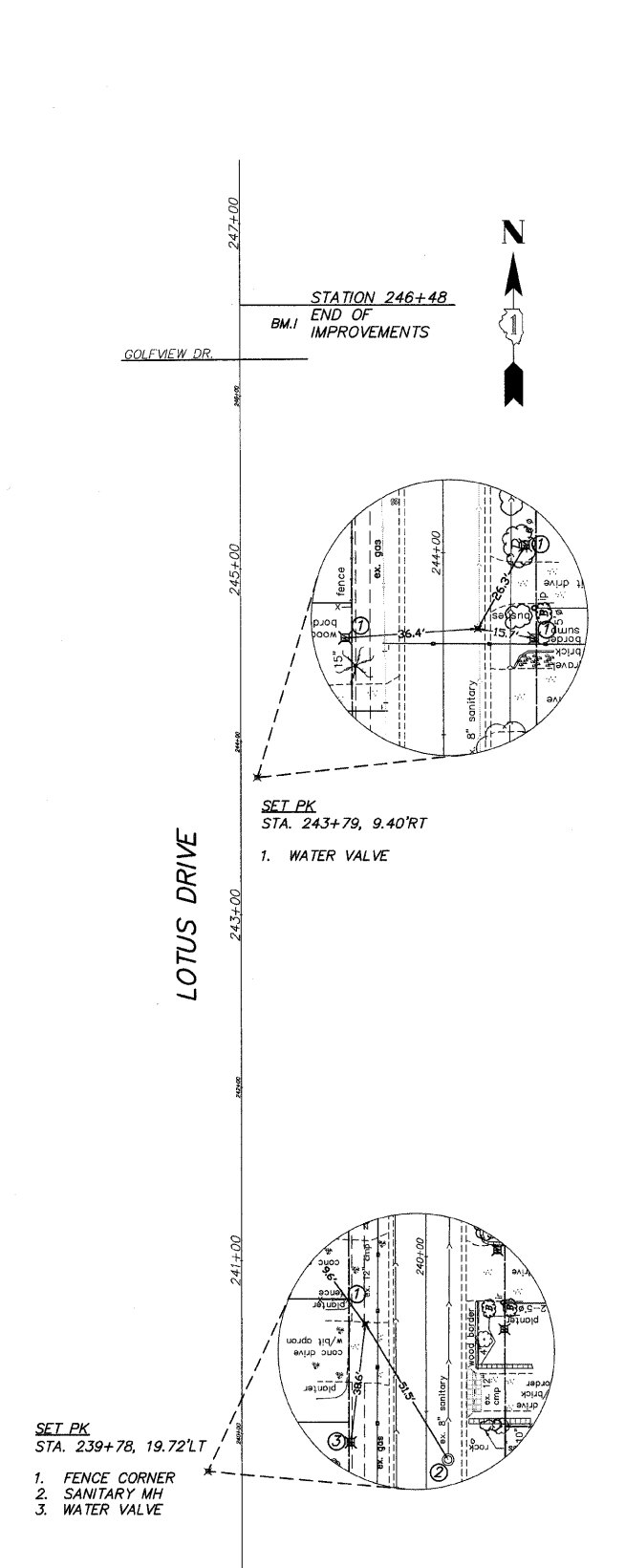
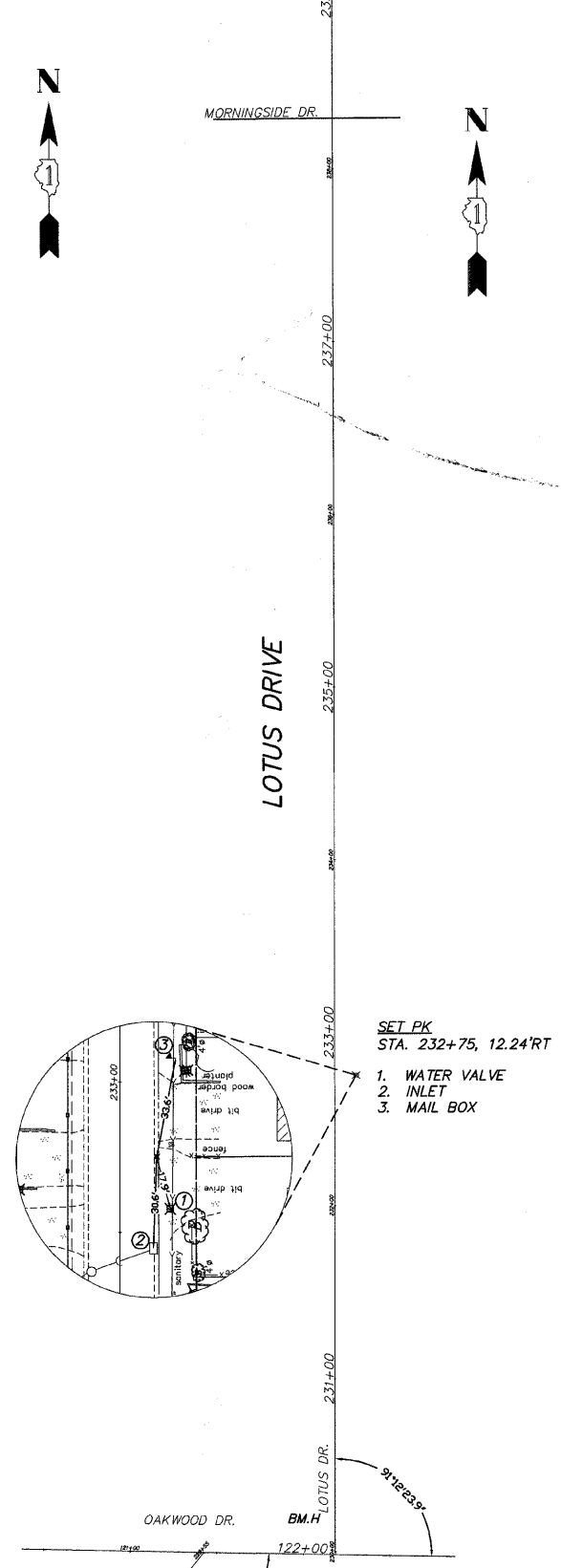
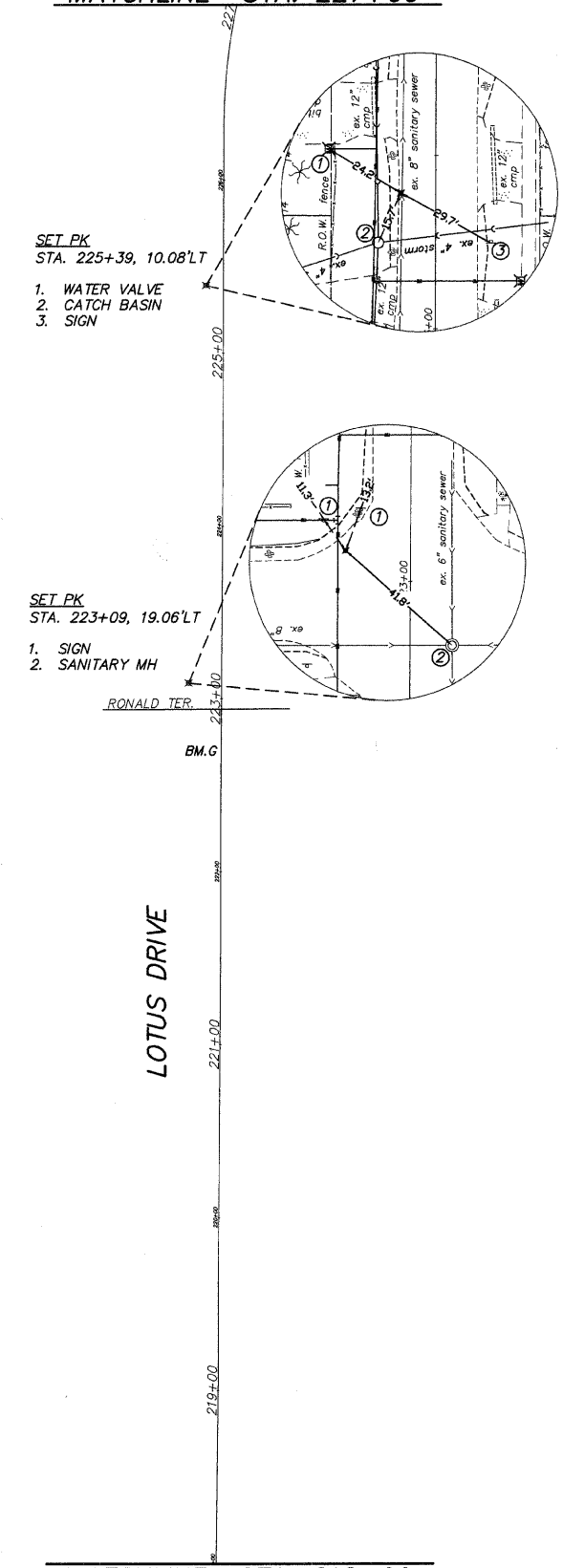
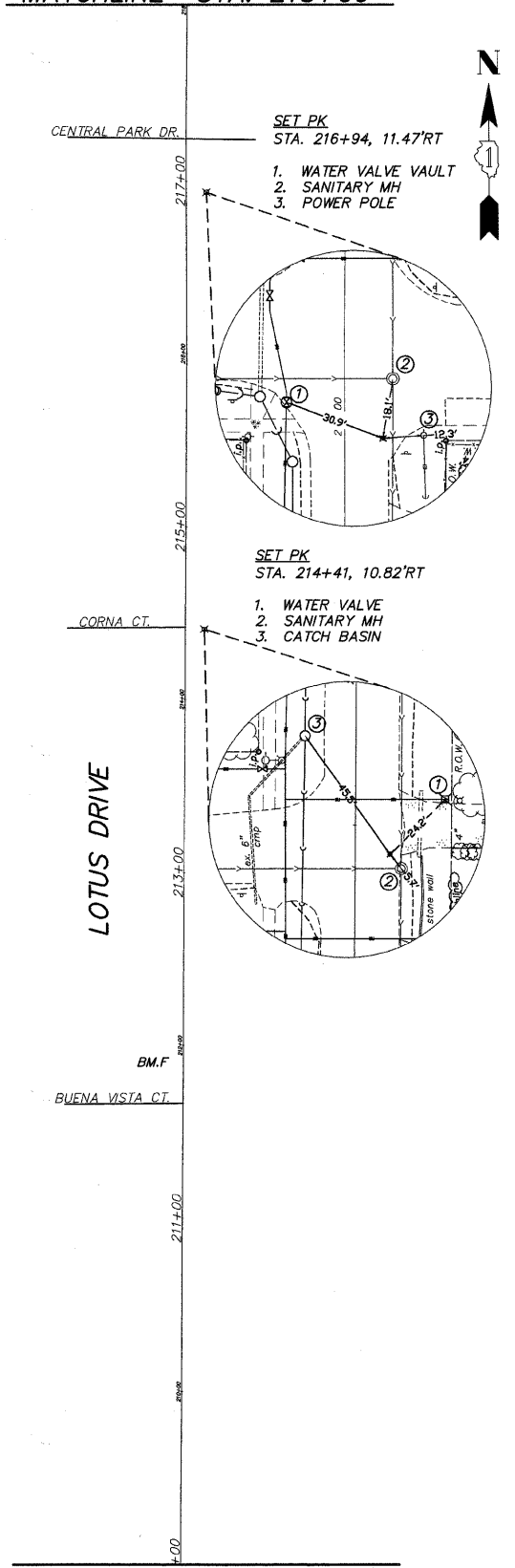
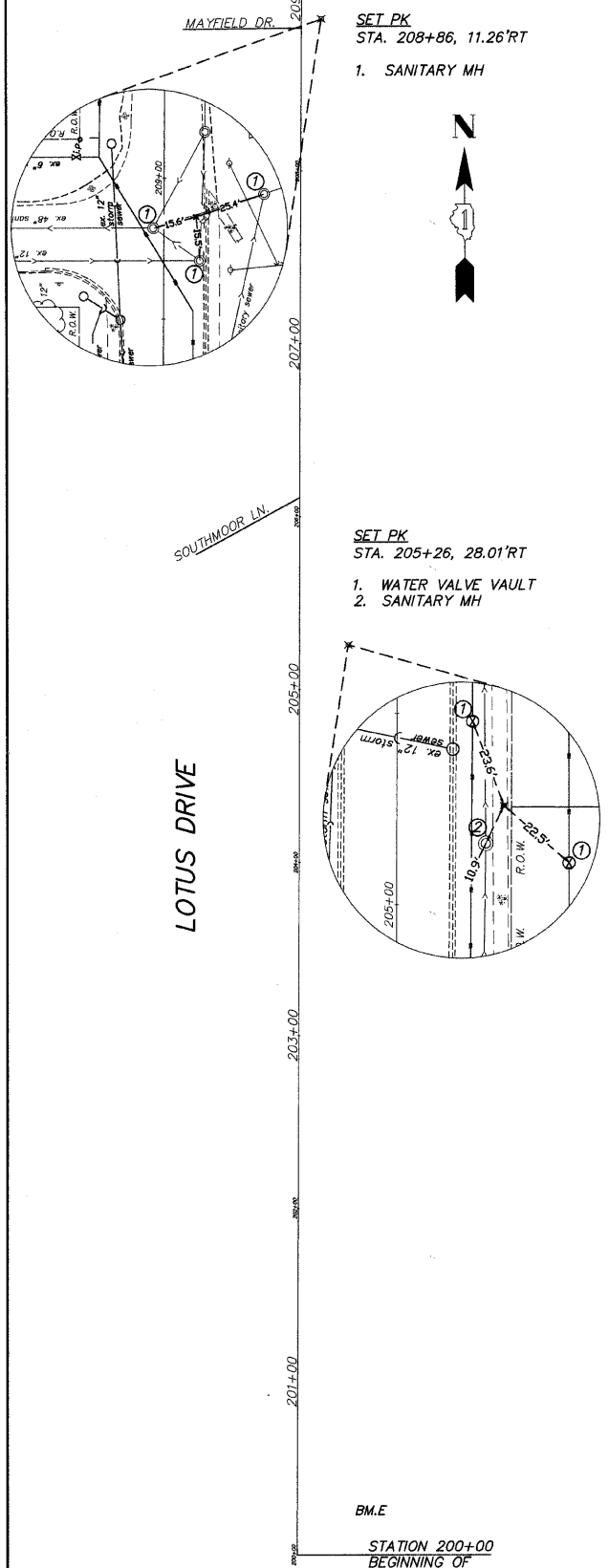


MATCHLINE STA. 209+00

MATCHLINE STA. 218+00

MATCHLINE STA. 227+00

MATCHLINE STA. 239+00



BENCHMARKS

- E. CROSS SET ON SIDEWALK AT THE NORTHEAST CORNER OF FAIRFIELD ROAD AND LOTUS DRIVE.
ELEV=751.62
- F. SPIKE SET IN GRASS, LOCATED ON THE NORTHWEST CORNER OF BUENA VISTA COURT AND LOTUS DRIVE.
ELEV=748.17
- G. SET PK AT THE SOUTHWEST CORNER OF RONALD TERRACE AND LOTUS DRIVE.
ELEV=755.51
- H. CROSS SET ON SIDEWALK AT THE NORTHWEST CORNER OF LOTUS DRIVE AND OAKWOOD DRIVE.
ELEV=759.58
- I. CROSS SET ON CURB AT THE NORTHEAST CORNER OF GOLFVIEW DRIVE AND LOTUS DRIVE.
ELEV=769.39

FILE NAME = 10258803A.DWG	USER NAME =	DESIGNED -- RJD	REVISED --	STATE OF ILLINOIS DEPARTMENT OF TRANSPORTATION	LOTUS DRIVE ALIGNMENT AND TIES			F.A. RTE.	SECTION	COUNTY	TOTAL SHEETS	SHEET NO.
	FILE NAME =	DRAWN -- EC	REVISED --		SCALE: N.T.S.	SHEET NO. 5 OF 73 SHEETS	STA. ---- TO STA. ----	08-00062-00-SW	LAKE	73	5	
	PLOT SCALE =	CHECKED -- RJD	REVISED --		CONTRACT NO. 63280							
	PLOT DATE =	DATE -- 10/02/09	REVISED --		ILLINOIS FED. AID PROJECT							