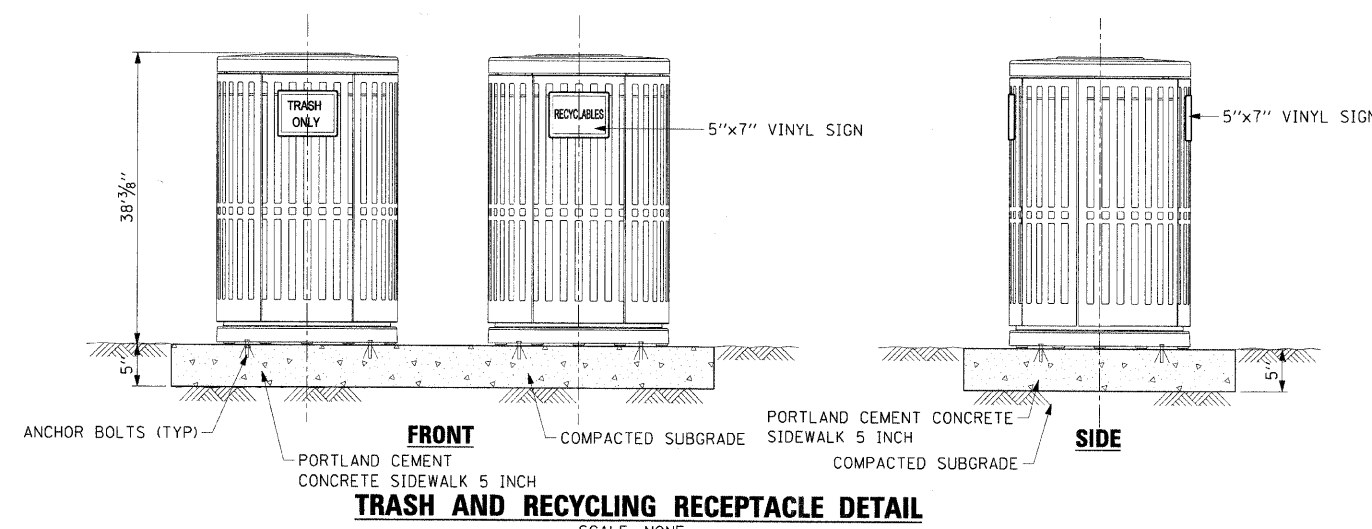
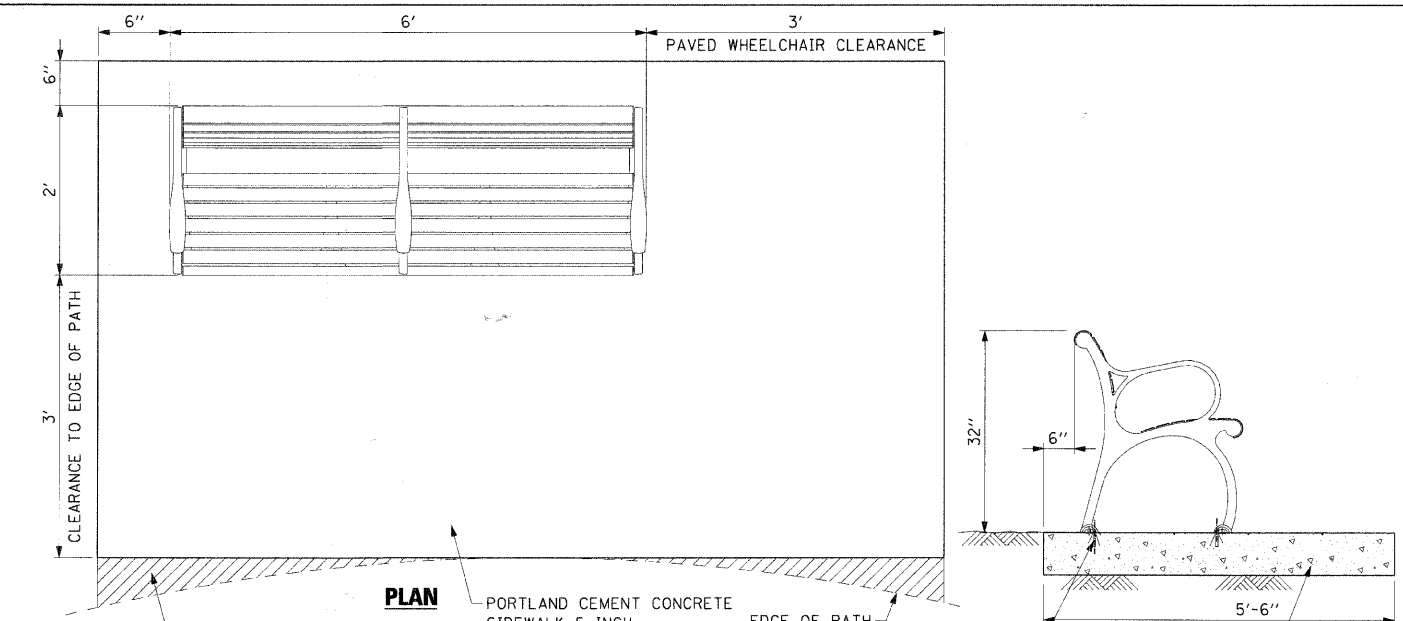


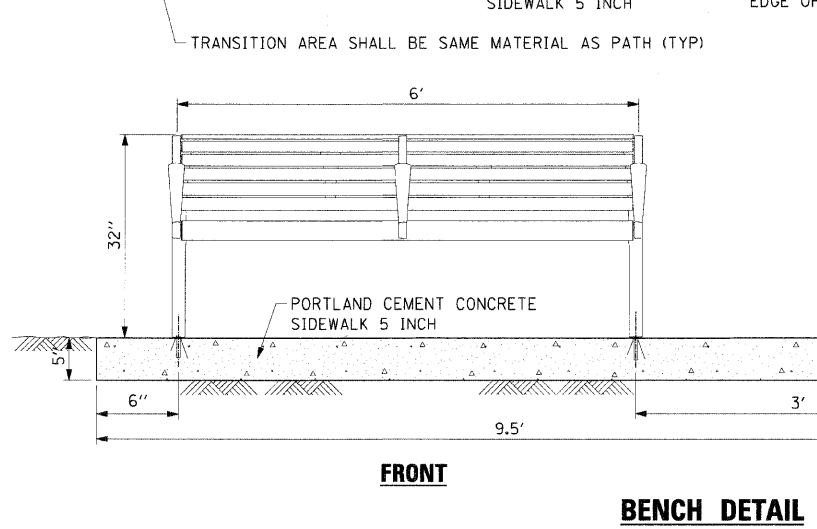
- NOTES:**
1. TRASH AND RECYCLABLES RECEPTACLE DESIGN BASED ON LANDSCAPE FORMS, INC. MODELS CP361-01 AND CP363-03, CHASE PARK SERIES.
 2. ANCHOR BOLT TRASH RECEPTACLE TO CONCRETE SURFACE (TYP.) PER MANUFACTURER'S SPECIFICATIONS.
 3. VINYL SIGN SHALL BE INTEGRAL TO THE CONSTRUCTION OF THE RECEPTACLE. SIGNS MUST LABEL THE RECEPTACLE FOR "RECYCLABLES" OR "TRASH ONLY".
 4. THE EXTERIOR OF THESE TRASH AND RECYCLING RECEPTACLES MUST BE CONSTRUCTED OF METAL AND COLORED SIVER.



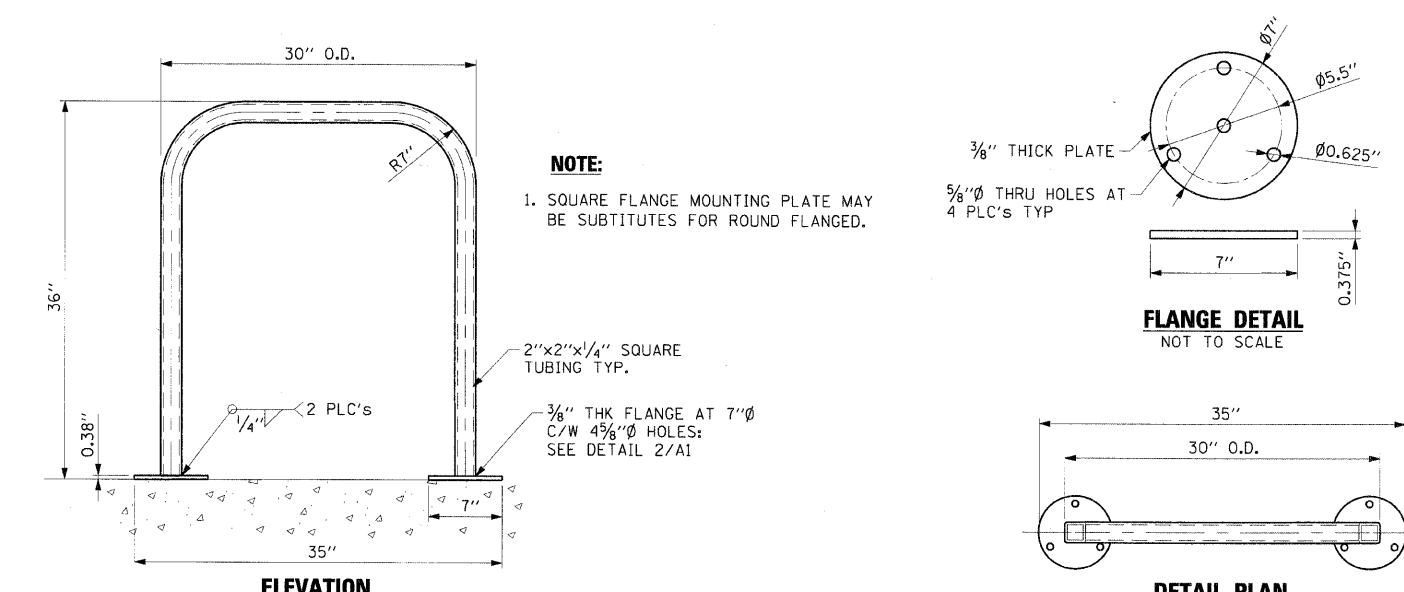
TRASH AND RECYCLING RECEPTACLE DETAIL
SCALE: NONE



- NOTES:**
1. BENCH DESIGN BASED ON VICTOR STANLEY, FRAMERS MODERN, MODEL *CM-324, 6' LENGTH, INTERMEDIATE ARMREST, SURFACE MOUNT, MAPLE COLOR RECYCLED PLASTIC SLATS AND BLACK FRAME.



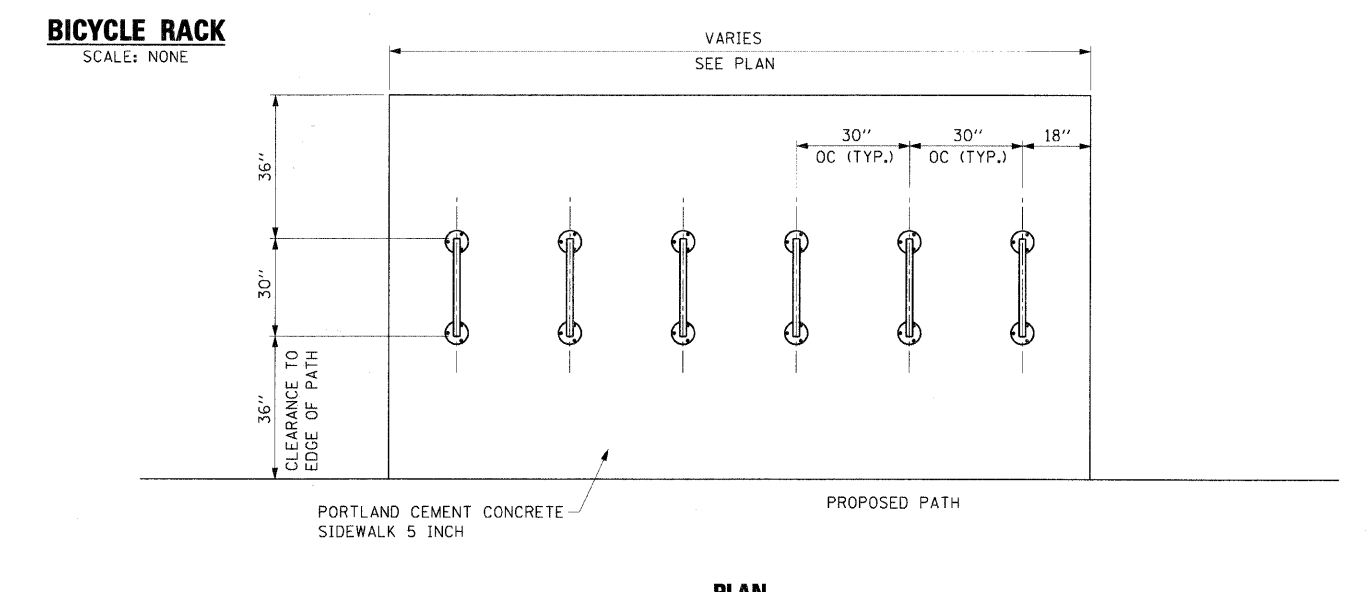
BENCH DETAIL
SCALE: NONE



- NOTE:**
1. SQUARE FLANGE MOUNTING PLATE MAY BE SUBSTITUTES FOR ROUND FLANGED.

FLANGE DETAIL
NOT TO SCALE

DETAIL PLAN



BICYCLE RACK
SCALE: NONE

PLAN

AECOM	USER NAME = czasznykab	DESIGNED - BMC	REVISED -	STATE OF ILLINOIS DEPARTMENT OF TRANSPORTATION	SITE FURNISHINGS DETAILS			F.A. RTE.	SECTION	COUNTY	TOTAL SHEETS	SHEET NO.
	PLOT SCALE =	DRAWN - LM	REVISED -					07-00246-00-BT	COOK	81	43	
	PLOT DATE = 12/01/2009	CHECKED - SLW	REVISED -					ITEM NO. 102121	CONTRACT NO. 63423			
		DATE - 12/01/2009	REVISED -					FED. ROAD DIST. NO.	ILLINOIS FED. AID PROJECT			
SCALE: NONE				SHEET NO. OF SHEETS STA. TO STA.			C-91-338-07					

12/01/2009 \\uschnj1p207\p660998\fs\p660998\6\5100_cord\901_drawing\sheet\043_D9133807-sh1-de+03.dgn