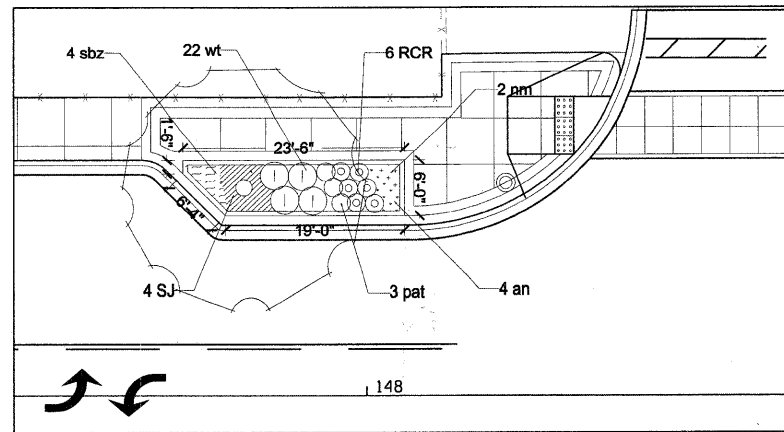
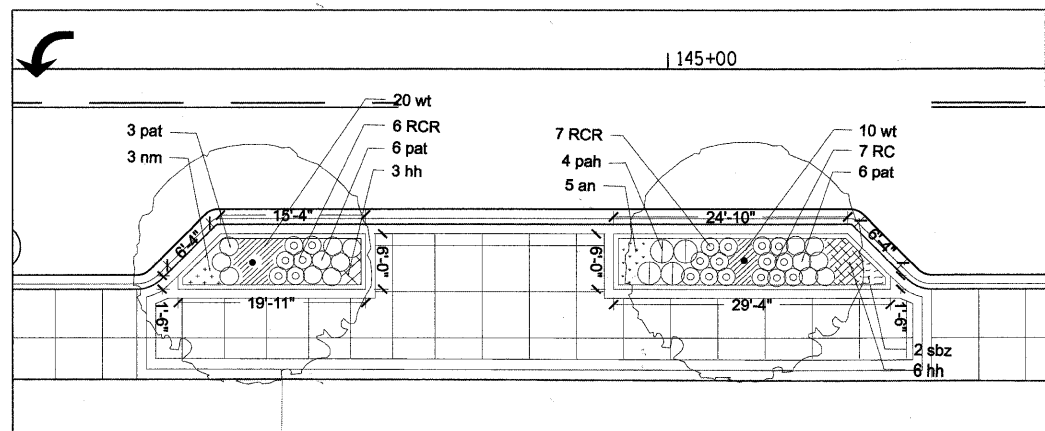
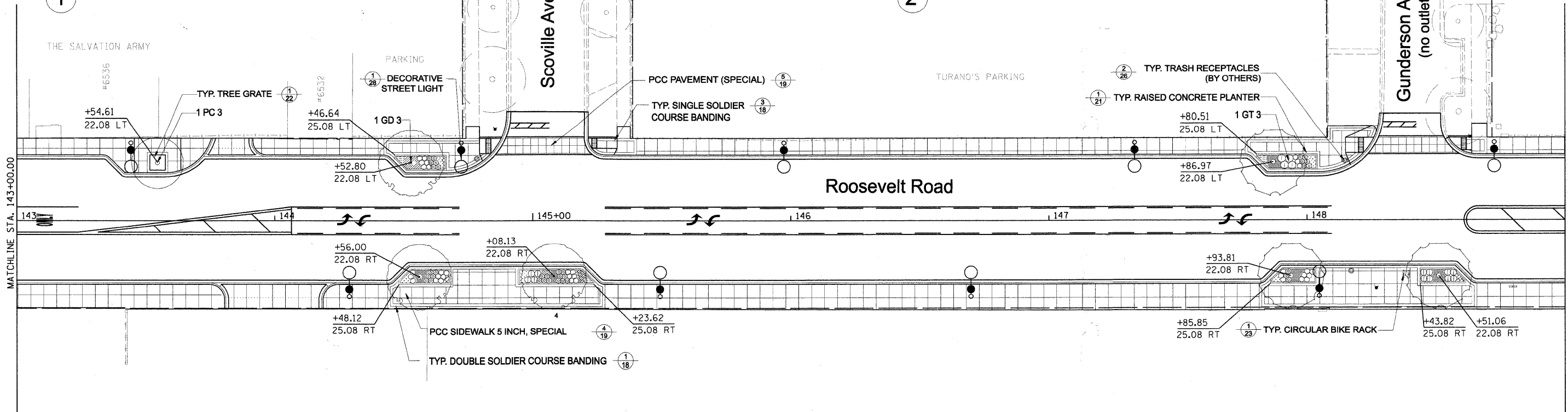


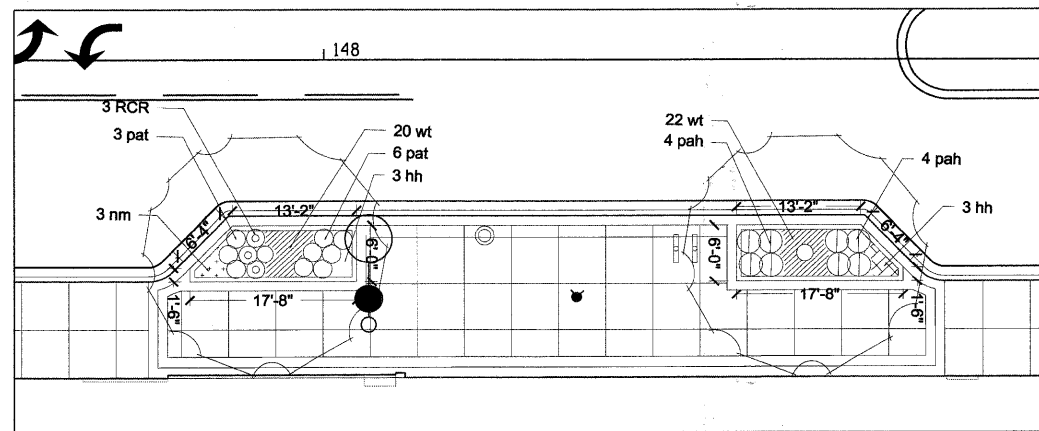
1 Planter - NWC Scoville/Roosevelt



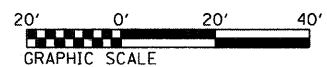
2 Planter - NWC Gunderson/Roosevelt



3 Planter - Scoville/Roosevelt South Side



4 Planter - Gunderson/Roosevelt South Side



FILE NAME = DIRTE38-shr-landscpl2.dgn	USER NAME = IDOT	DESIGNED - SC	REVISED -	STATE OF ILLINOIS DEPARTMENT OF TRANSPORTATION	LANDSCAPING PLAN	F.A.P. RTE. 347	SECTION 09-00248-00-RS	COUNTY COOK	TOTAL SHEETS 274	SHEET NO. 175	
PLOT SCALE = 20,0000' / IN.	DRAWN - DG	CHECKED - JB	REVISED -			SCALE: 1" = 20'	SHEET NO. 10 OF 28 SHEETS	STA. 143+00.00 TO STA. 149+00.00	CONTRACT NO. 63432		
PLOT DATE = 3/18/2010	DATE -	REVISED -	REVISED -			ILLINOIS FED. AID PROJECT					