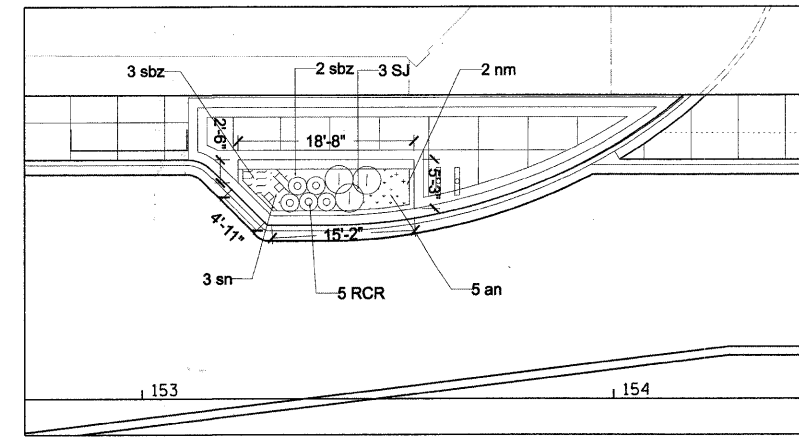
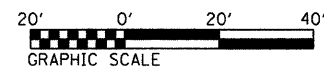
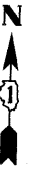
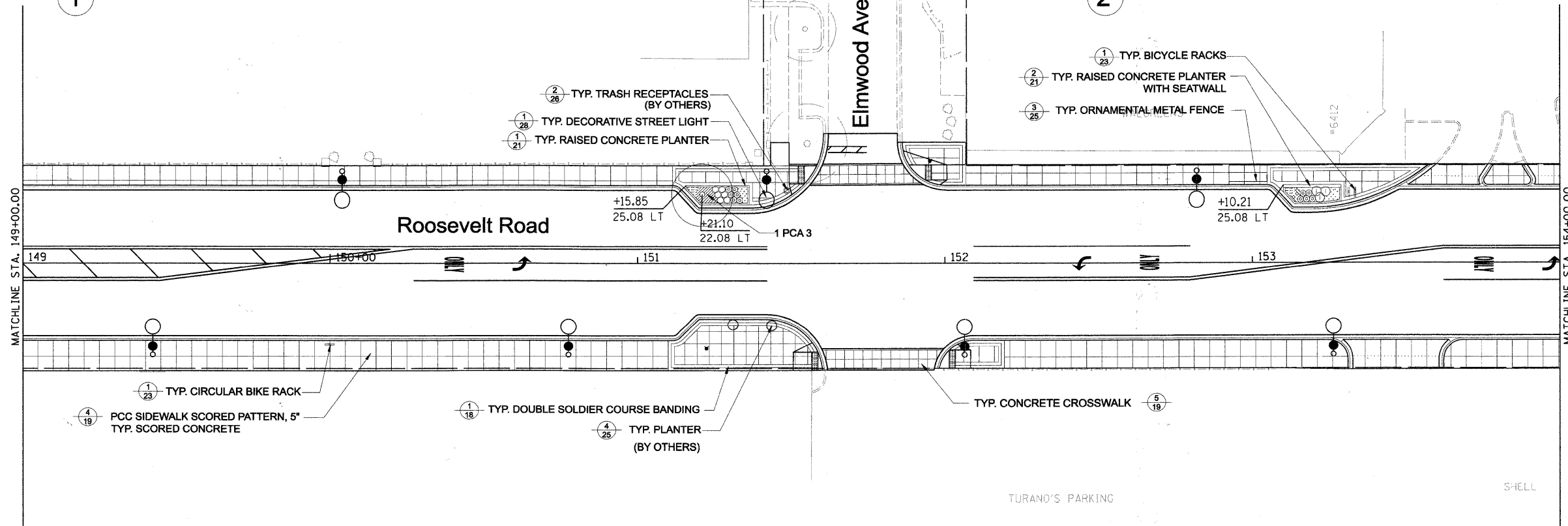


1 Planter - NWC Elmwood/Roosevelt



2 Planter - Walgreens/Roosevelt



FILE NAME = DIRTE38-shr-landscpl1.dgn	USER NAME = ID01	DESIGNED - SC	REVISED -	STATE OF ILLINOIS DEPARTMENT OF TRANSPORTATION	LANDSCAPING PLAN	F.A.P. RTE. = 347	SECTION = 09-00248-00-RS	COUNTY = COOK	TOTAL SHEETS = 274	SHEET NO. = 176		
	PLOT SCALE = 1/8" = 20'-0"	DRAWN - DG	REVISED -			SCALE: 1" = 20'	SHEET NO. 11 OF 28 SHEETS	STA. 149+00.00 TO STA. 154+00.00	CONTRACT NO. 63432		ILLINOIS FED. AID PROJECT	
	PLOT DATE = 3/18/2010	CHECKED - JB	REVISED -									
		DATE -	REVISED -									