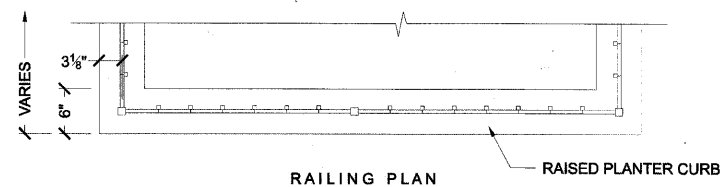
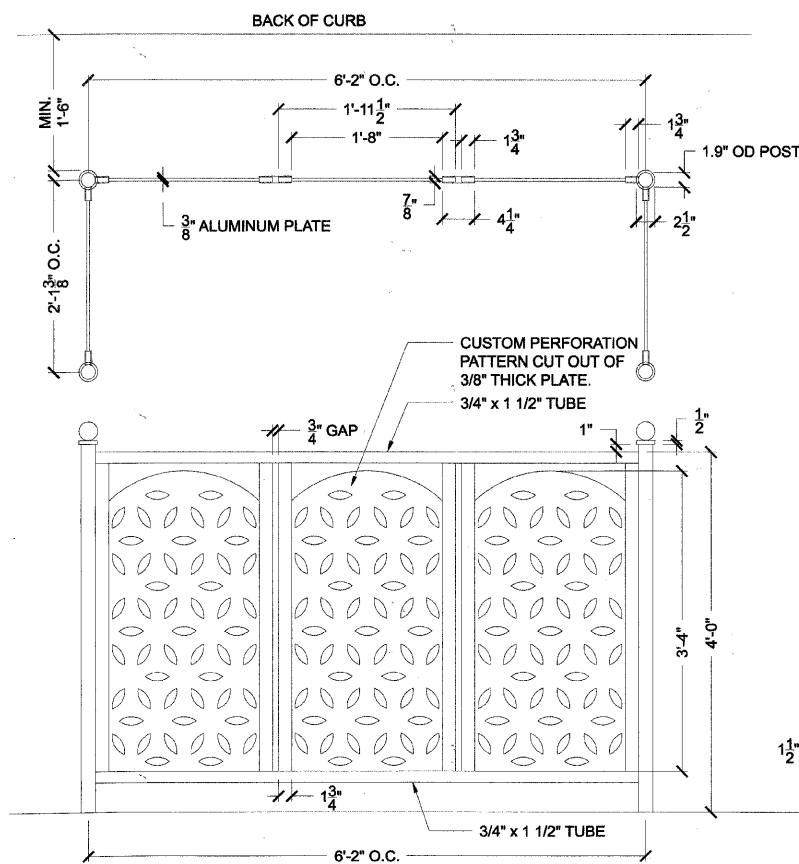


1 Planter Fence (Special)
Scale: 1"=1'



2 Planter Fence (Special)
Scale: 1"=1'

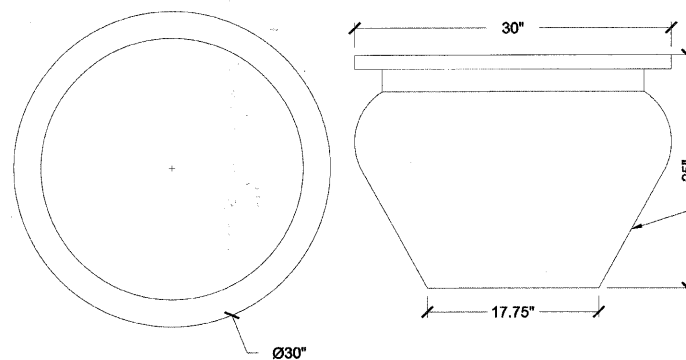


3 Ornamental Metal Fence
Scale: 1"=1'

NOTE:
ORNAMENTAL METAL FENCE TO BE USED
AS SCREENING AND CONTAINING PLASTIC
NEWSPAPER BOXES.

1 1/2" SCH 40 PIPE
(1.90" OD) POST WITH
A 1/2" x 2 1/2" DISC AND
A 2 1/2" BALL WELDED
ON THE TOP.

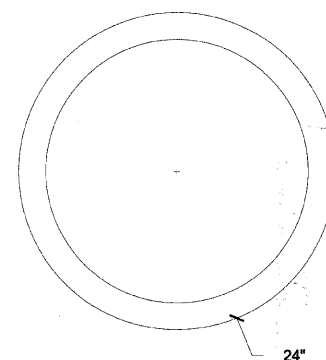
POSTS TO BE CORED
INTO CONCRETE 3 1/2"
AND POURED WITH
HYDRAULIC CEMENT.



4 Planter
Scale: 1"=2'

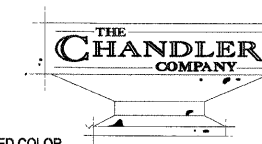
A5 BELL FLOWER
PLANTER BY IAP
(415-863-3406)
SS - STAINLESS
STEEL FINISH
OR APPROVED EQUAL

NOTE: MOVEABLE PLANTER TO BE SUPPLIED
WITH PLANTING SOIL AND INITIAL ANNUAL PLANT
MATERIAL. FURTHER ANNUAL PLANT MATERIAL
TO BE THE RESPONSIBILITY OF THE MUNICIPALITY.
ALL PLANT MATERIAL TO BE MAXIMUM 12" HT.
WITHIN SIGHT TRIANGLES.



5 Planter (Approved Equal)
Scale: NTS

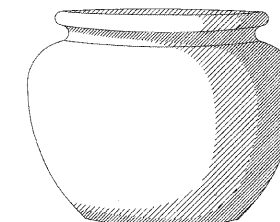
IMPERIAL PLANTER
BY OLD TOWN FIBERGLASS
(714-633-372) WITH
ALUMINUM 17 FINISH
OR APPROVED EQUAL



THE CHANDLER COMPANY
2621 SOUTH BIRCH STREET
SANTA ANA, CA
USA, 92707
PHONE: (714) 979-4212
FAX: (714) 979-4854
www.thechandlercompany.com

SELECT DESIRED COLOR

- LIGHT SAND TEXTURE
- 90-WHITE
- 100-BUFF
- 101-LATTE
- 201-TAN
- 208-TERRACOTTA
- 215-ADOBE
- 232-BURGUNDY
- 320-KHAKI
- 322-CYPRESS
- 325-PARCHMENT
- 453-DARK GRAY
- 806-SAND BEIGE
- 970-DOVE
- 972-PEARL
- 981-MOCHA
- OR
- SMOOTH
- 5804-BLACK
- 5806-WHITE
- 5806-SAND BEIGE
- 6414-DARK GRAY
- 8208-TERRACOTTA
- 8215-ADOBE
- 8224-LATTE
- 8232-BURGUNDY
- 8320-KHAKI
- 8322-CYPRESS
- 8325-PARCHMENT
- 9870-DOVE
- 9872-PEARL
- 9881-MOCHA
- 9883-BUFF
- 9885-TAN



EMPEROR BOWL - AVAILABLE SIZES

HEIGHT(H)	STANDARD DIAMETER(D)	
18"	24"	36"
24"	30"	42"
30"	30"	36"
36"	36"	42"
42"	48"	60"
	48"	72"

USE CHART TO SPECIFY H D

- NOTES:
1. INSTALLATION TO BE COMPLETED IN ACCORDANCE WITH MANUFACTURER'S SPECIFICATIONS.
 2. DO NOT SCALE DRAWINGS.
 3. CONTACT MANUFACTURER FOR SHAPE OPTIONS. CUTOMS SIZES AVAILABLE. SAUCERS AVAILABLE.
 4. CONTRACTORS NOTE: FOR PRODUCT AND COMPANY INFORMATION VISIT www.CADdetails.com/info REFERENCE NUMBER 600-025.

6 Planter (Approved Equal)
Scale: NTS