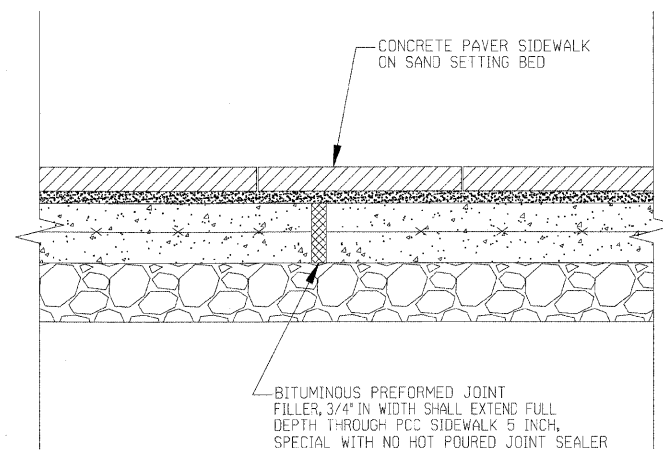
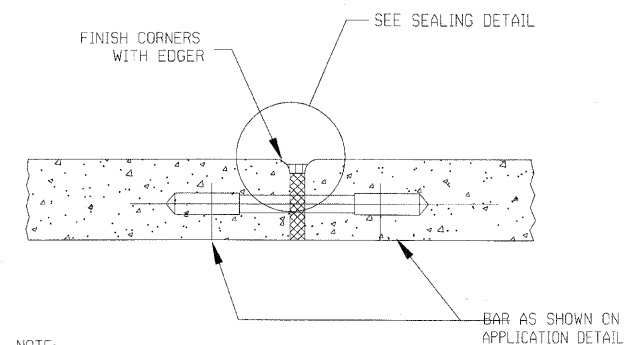


BITUMINOUS PREFORMED JOINT FILLER  
(AT CONCRETE PLANTER WALL AND PLANTER CURB)

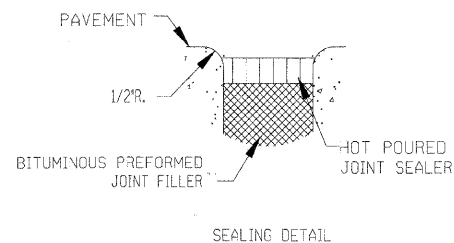


BITUMINOUS PREFORMED JOINT FILLER  
(FOR PCC SIDEWALK 5 INCH, SPECIAL)  
(BELOW CONCRETE PAVEMENT)

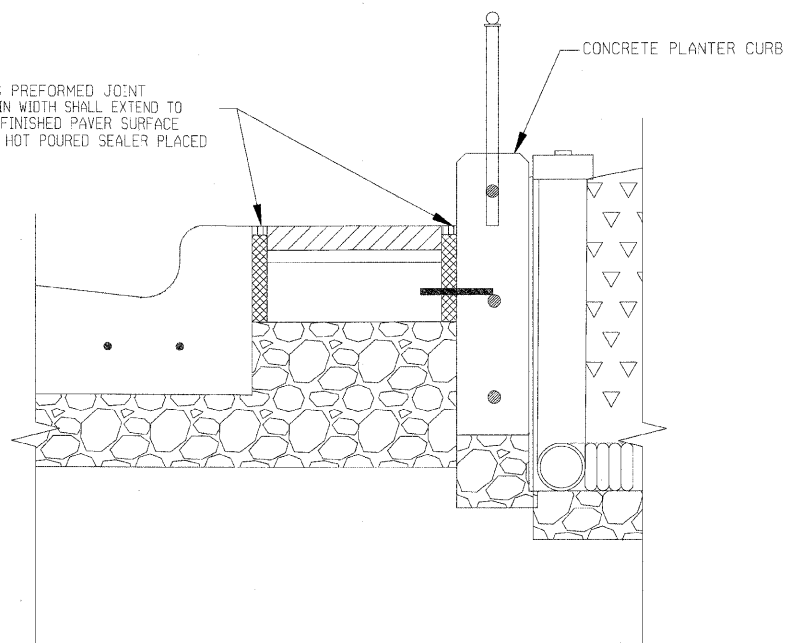


NOTE:  
PROVIDE BITUMINOUS PREFORMED  
JOINT FILLER EVERY 40 MAX., AND AT  
LOCATIONS SHOWN ON PLANS.

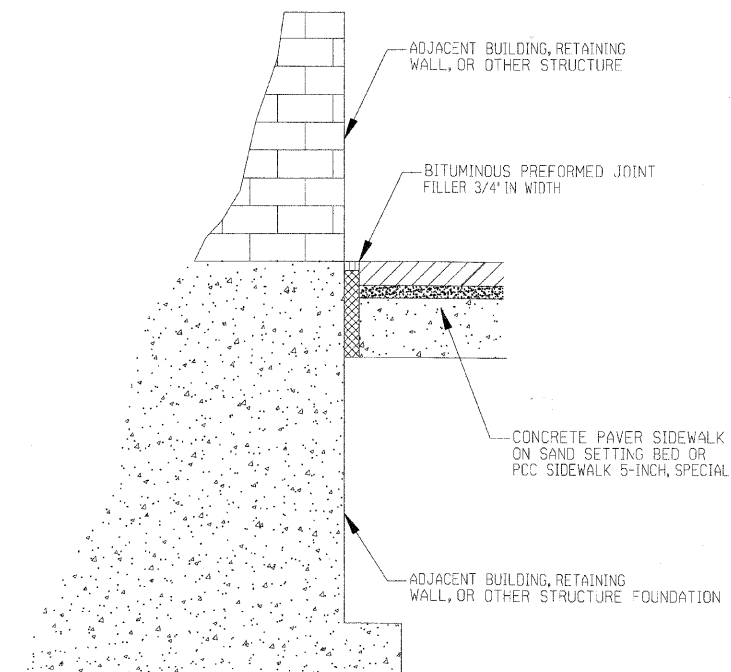
BITUMINOUS PREFORMED JOINT FILLER  
(FOR PCC SIDEWALK 5 INCH, SPECIAL AND )  
(PORTLAND CEMENT CONCRETE PAVEMENT (SPECIAL))



BITUMINOUS PREFORMED JOINT  
FILLER, 3/4\"/>



BITUMINOUS PREFORMED JOINT FILLER  
(AT PLANTER CURB AND COMBINATION CONCRETE CURB AND GUTTER)



BITUMINOUS PREFORMED JOINT FILLER  
(AT PLANTER CURB AND COMBINATION CONCRETE CURB AND GUTTER)

FILE NAME = DIRTE30-shd-details04.dgn	USER NAME = IDOT	DESIGNED - BB	REVISED -	<b>STATE OF ILLINOIS DEPARTMENT OF TRANSPORTATION</b>	<b>PROJECT SPECIFIC DETAILS</b>			F.A.P. RTE. = 347	SECTION = 09-00248-00-RS	COUNTY = COOK	TOTAL SHEETS = 274	SHEET NO. = 253
	PLOT SCALE = 1/8\"/>											
	PLOT DATE = 3/11/2010	CHECKED - JB	REVISED -		SCALE: NTS	SHEET NO. OF SHEETS	STA. TO STA.	CONTRACT NO. 63432				
		DATE -	REVISED -		ILLINOIS FED. AID PROJECT							