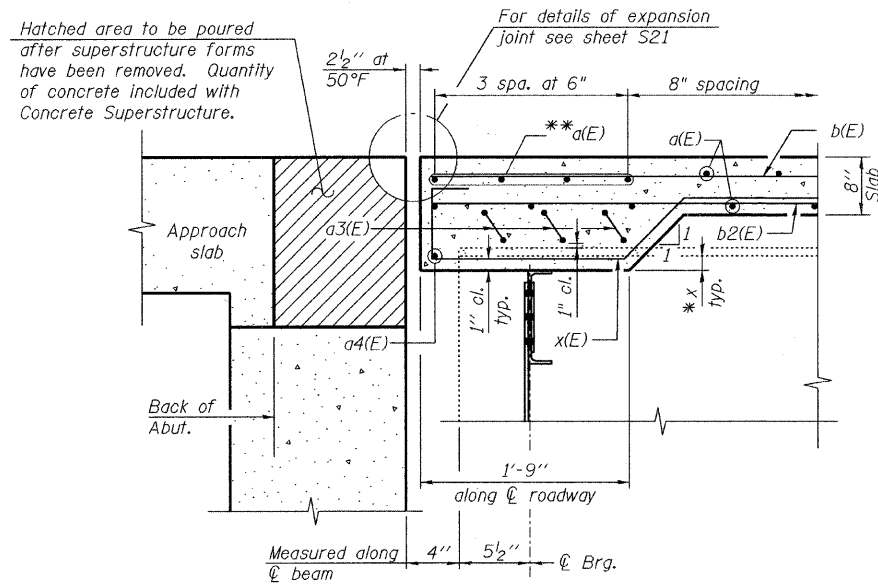
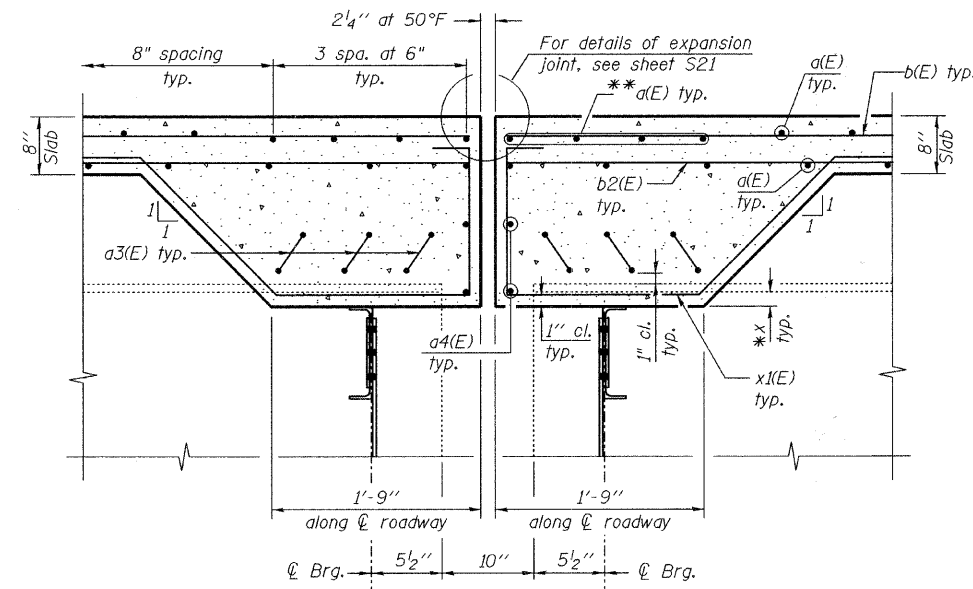


STATE OF ILLINOIS
DEPARTMENT OF TRANSPORTATION



SECTION A-A

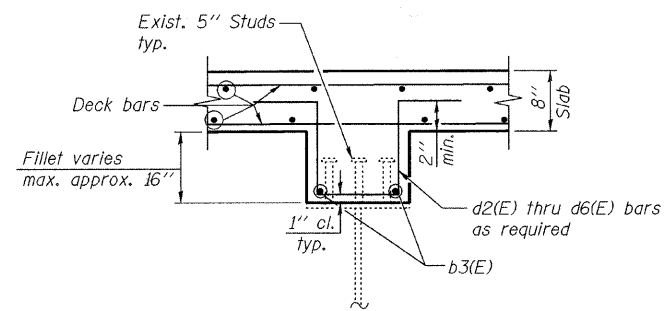


SECTION B-B

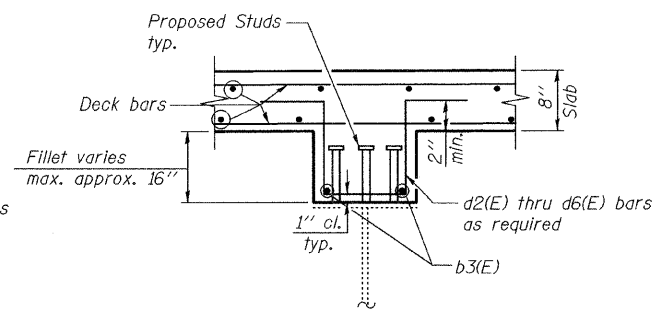
* see Table A
** place under b(E) bars

TABLE A

GIRDER	x
1 & 5	3/4"
2 & 4	2"
3	3/4"



WITH EXISTING STUDS



WITH PROPOSED STUDS

FILLET REINFORCEMENT DETAIL

FILLET REINFORCEMENT TABLE

BAR	USE WHEN FILLET LESS THAN
d2(E)	5 1/2"
d3(E)	8 1/2"
d4(E)	11"
d5(E)	1'-1 1/2"
d6(E)	1'-4 1/2"

NOTE:

The concrete edge beams shall be placed from fascia beam to fascia beam and not on the overhangs of the structure.

DESIGNED -	JLS
CHECKED -	MRB
DRAWN -	VH/MB
CHECKED -	KWS

benesch

alfred benesch & company
Engineers - Surveyors - Planners
205 North Michigan Avenue, Suite 2400
Chicago, Illinois 60601
312-565-0450 Job No. 3808.02

SHEET NO. S18	F.A.U. RTE.	SECTION	COUNTY	TOTAL SHEETS	SHEET NO.
S47 SHEETS	341	04-00090-07-BR	WILL	57	26
FED. ROAD DIST. NO.			ILLINOIS FED. AID PROJECT		
CONTRACT NO. 63442					

DECK DETAILS
STRUCTURE NO. 099-3298