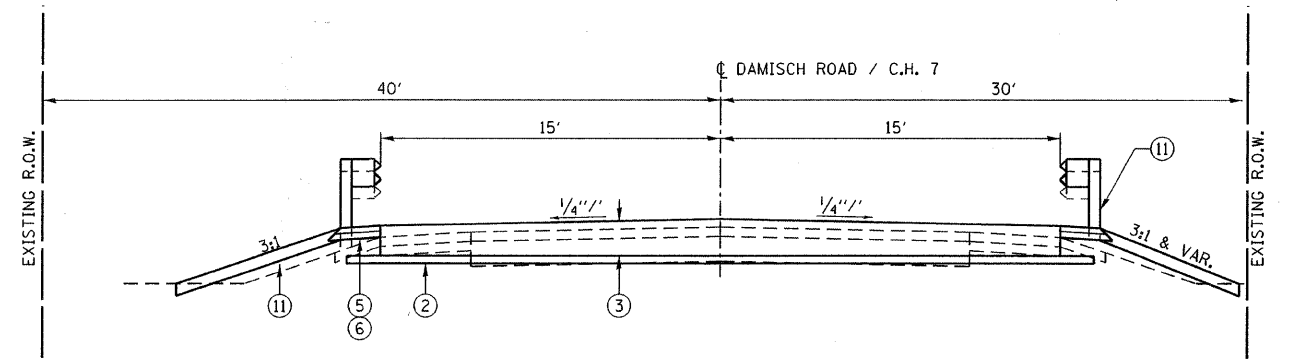


• PAVEMENT REMOVAL FOR NEW BRIDGE APPROACH SLAB.

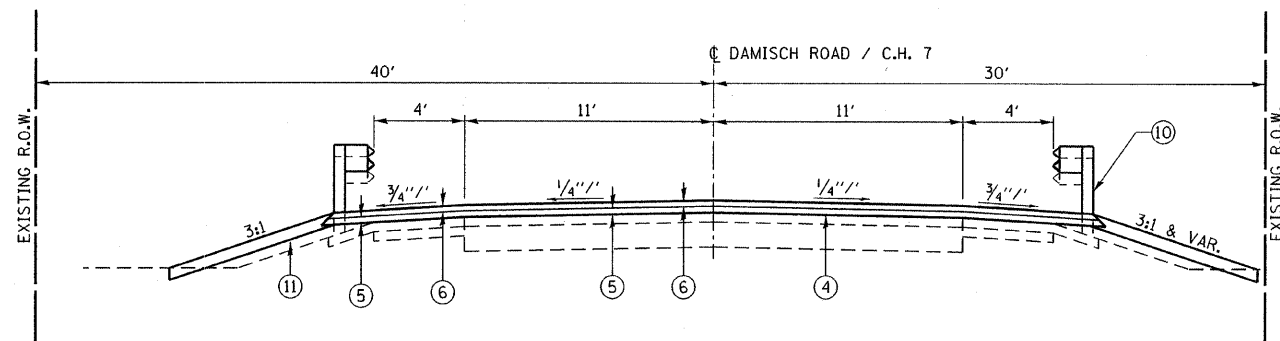
EXISTING TYPICAL SECTION

STA. 94+20.00 TO STA. 95+12.00
STA. 95+98.00 TO STA. 96+80.00



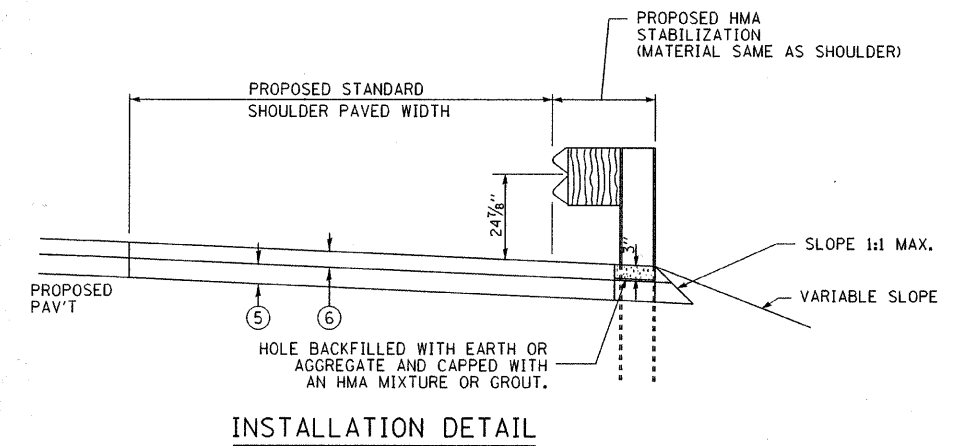
PROPOSED TYPICAL SECTION

STA. 94+20.00 TO STA. 94+88.00
STA. 96+22.00 TO STA. 96+80.00



PROPOSED TYPICAL SECTION

STA. 94+20.00 TO STA. 94+88.00
STA. 96+22.00 TO STA. 96+80.00



INSTALLATION DETAIL

HOT-MIX ASPHALT MIXTURE REQUIREMENTS	
MIXTURE TYPE	AIR VOIDS @Ndes
PAVEMENT RESURFACING	
HOT-MIX ASPHALT SURFACE COURSE, MIX "C", N50 (IL 9.5mm) 1 1/2"	4% @ 50 GYR
LEVELING BINDER (MACHINE METHOD), N50	4% @ 50 GYR
SHOULDERS	
HOT-MIX ASPHALT SURFACE COURSE, MIX "C", N50 (IL 9.5mm) 1 1/2"	4% @ 50 GYR
LEVELING BINDER (MACHINE METHOD), N50	4% @ 50 GYR
INCIDENTAL HMA SURFACING	
HOT-MIX ASPHALT SURFACE COURSE, MIX "C", N50 (IL 9.5mm) 2"	4% @ 50 GYR

THE UNIT WEIGHT USED TO CALCULATE ALL HOT-MIX ASPHALT SURFACE MIXTURE QUANTITIES IS 112 LBS/SQ YD/ INCH THE "AC TYPE FOR POLYMERIZED HMA MIXES SHALL BE SBS/SBR PG 70-22" AND FOR NON-POLYMERIZED HMA THE "AC TYPE" SHALL BE "PG 64-22" UNLESS MODIFIED BY DISTRICT ONE SPECIAL PROVISIONS FOR PERCENT OF "RAP" SEE DISTRICT ONE SPECIAL PROVISIONS.

LEGEND

- ① EXIST HMA/AGG PVT
- ② SUB-BASE GRANULAR MATERIAL, TYPE A 4"
- ③ BRIDGE APPROACH SLAB
- ④ BITUMINOUS MATERIALS (PRIME COAT)
- ⑤ LEVELING BINDER (MACHINE METHOD), N50 (3/4" MIN)
- ⑥ HOT-MIX ASPHALT SURFACE COURSE, MIX "C", N50 (1 1/2" MIN)
- ⑦ EXIST HMA/AGG SHOULDERS
- ⑧ HOT-MIX ASPHALT SURFACE REMOVAL - BUTT JOINT
- ⑨ PAVEMENT REMOVAL
- ⑩ TRAFFIC BARRIER TERMINAL, TYPE 6A & 6A (SPECIAL) SEE INSTALLATION DETAIL THIS SHEET
- ⑪ TOPSOIL FURNISH AND PLACE, 4"

FILE NAME = 080043-sht-typicals.dgn

USER NAME =
PLOT SCALE =
PLOT DATE = 1/27/2010

DESIGNED - L.F.S.
DRAWN - T.W.K.
CHECKED - S.W.M.
DATE - 01/07/10

REVISED -
REVISED -
REVISED -
REVISED -

STATE OF ILLINOIS
KANE COUNTY DIVISION OF TRANSPORTATION



SCALE:

SHEET NO. OF SHEETS STA. TO STA.

TYPICAL SECTIONS
DAMISCH ROAD / C.H. 7

F.A.S.	SECTION	COUNTY	TOTAL SHEETS	SHEET NO.
132	07-00358-00-BR	KANE	33	4
CONTRACT NO. 63444				
FED. ROAD DIST. NO. ILLINOIS FED. AID PROJECT				