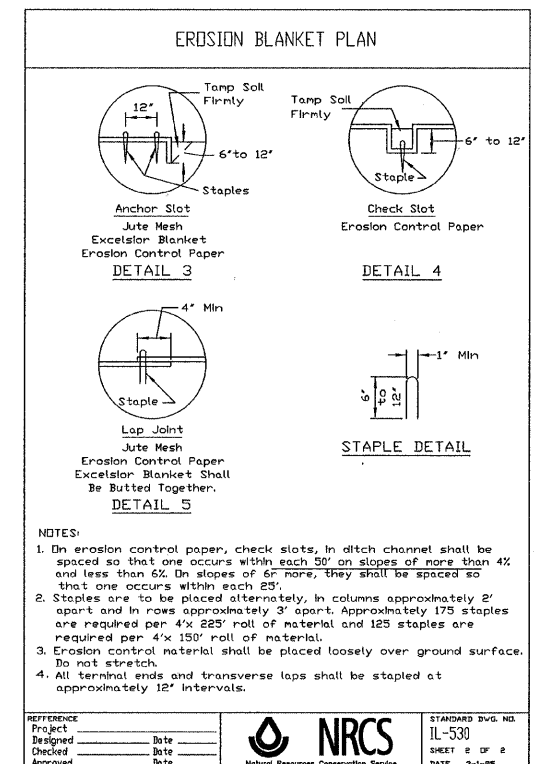
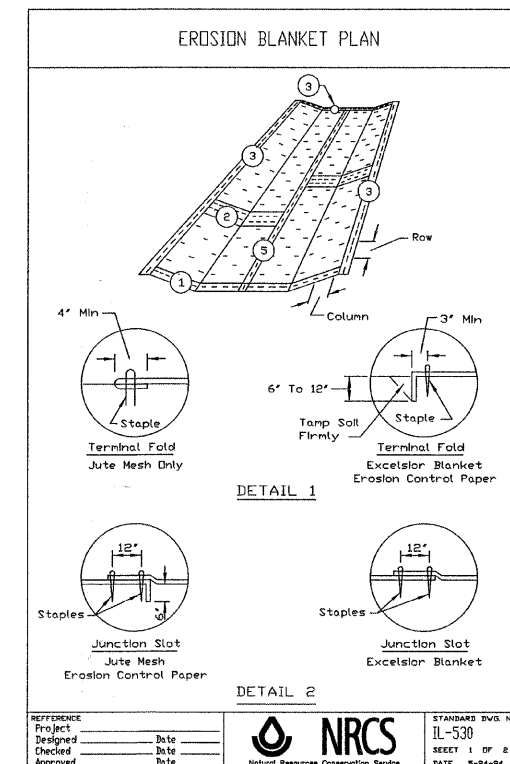
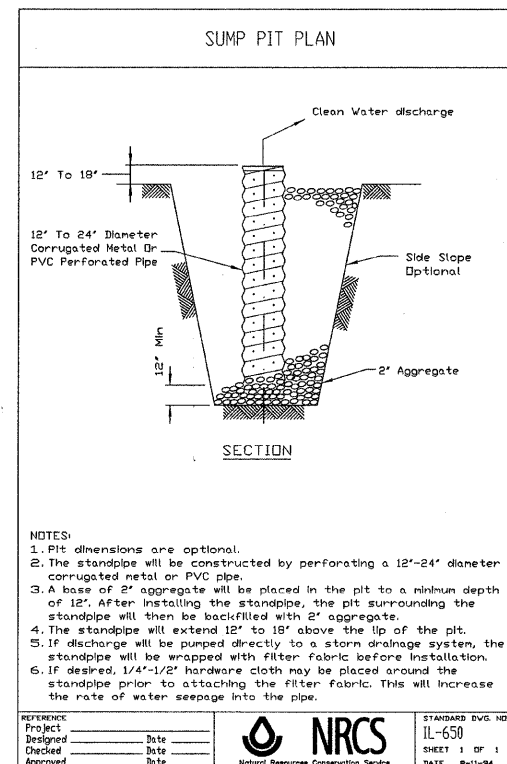
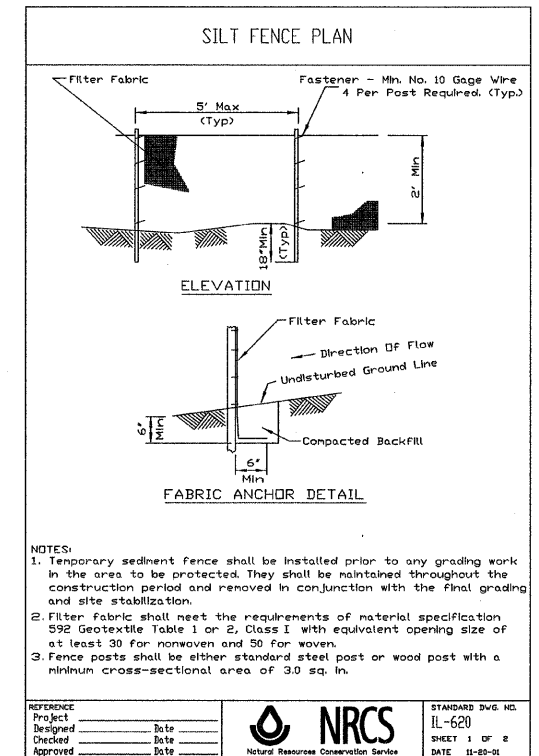
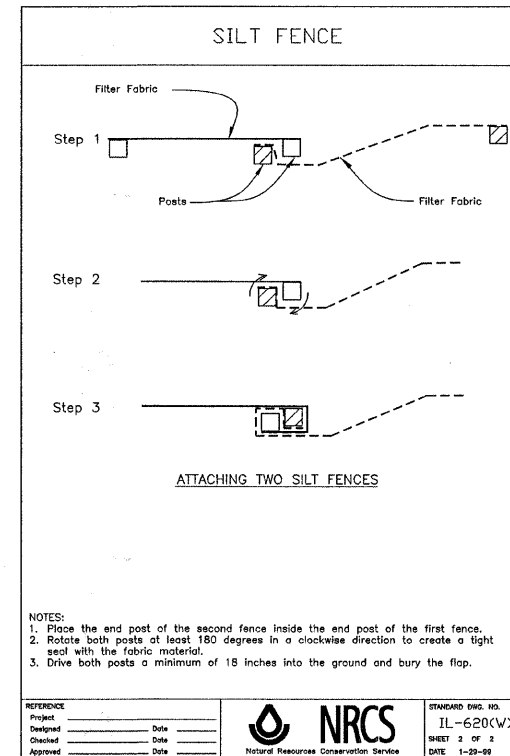


**SOIL EROSION CONTROL NOTES**

- A. SOIL DISTURBANCE SHALL BE CONDUCTED IN SUCH A MANNER AS TO MINIMIZE EROSION. SOIL STABILIZATION MEASURES SHALL CONSIDER THE TIME OF YEAR, SITE CONDITIONS AND THE USE OF TEMPORARY OR PERMANENT MEASURES.
- B. SOIL EROSION AND SEDIMENT CONTROL FEATURES SHALL BE CONSTRUCTED PRIOR TO THE COMMENCEMENT OF CONSTRUCTION ON UPLAND AREAS.
- C. DISTURBED AREAS SHALL BE STABILIZED WITH TEMPORARY OR PERMANENT MEASURES WITHIN 14 CALENDAR DAYS OF THE END OF ACTIVE HYDROLOGIC DISTURBANCE, OR REDISTURBANCE.
- D. ALL PERMANENT SEEDING SHALL BE TYPE 2A WITH THE EXCEPTION OF AREAS ALONG THE BANKS OF TYLER CREEK WHICH SHALL BE SEEDING WITH TYPE 4 OR 4B WHEN SEEDING WITHIN 2 FEET OF THE NORMAL WATER SURFACE.
- E. ALL TEMPORARY EROSION AND SEDIMENT CONTROL MEASURES SHALL BE REMOVED WITHIN 30 DAYS AFTER FINAL SITE STABILIZATION IS ACHIEVED OR AFTER THE TEMPORARY MEASURES ARE NO LONGER NEEDED.
- F. ALL TEMPORARY AND PERMANENT EROSION CONTROL MEASURES MUST BE MAINTAINED AND REPAIRED AS NEEDED.
- G. ANY SEDIMENT OR SOIL REACHING ON THE PUBLIC RIGHT-OF-WAY, STREET, ALLEY OR PARKING AREA SHALL BE REMOVED BY SCRAPING OR STREET CLEANING AS ACCUMULATIONS WARRANT AND TRANSPORTED TO A CONTROLLED SEDIMENT DISPOSAL AREA.
- H. IF DEWATERING SERVICES ARE USED, ADJOINING PROPERTIES AND DISCHARGE LOCATIONS SHALL BE PROTECTED FROM EROSION. DISCHARGES SHALL BE ROUTED THROUGH AN EFFECTIVE SEDIMENT CONTROL MEASURE (e.g. SEDIMENT TRAP, SEDIMENT BASIN, OR OTHER APPROPRIATE MEASURE).
- I. THE EROSION CONTROL MEASURES INDICATED ON THE PLANS ARE THE MINIMUM REQUIREMENTS. ADDITIONAL MEASURES MAY BE REQUIRED, AS DIRECTED BY THE ENGINEER OR GOVERNING AGENCY.
- J. THE KANE-DUPAGE SOIL & WATER CONSERVATION DISTRICT SHALL BE NOTIFIED ONE DAY PRIOR TO DEWATERING ACTIVITIES.
- K. ALL AQUATIC LIFE WITH THE EXCEPTION OF INVASIVE SPECIES LIKE CARP OR ASIAN FINGERNAIL CLAM SHALL BE TRANSPLANTED TO THE ACTIVE STREAM AFTER DEWATERING.

**KANE - DUPAGE SOIL AND WATER CONSERVATION NOTES**

- 1. UNLESS OTHERWISE INDICATED, ALL VEGETATIVE AND STRUCTURAL EROSION AND SEDIMENT CONTROL PRACTICES WILL BE CONSTRUCTED ACCORDING TO MINIMUM STANDARDS AND SPECIFICATIONS IN THE ILLINOIS URBAN MANUAL LATEST EDITION.
- 2. THE KANE-DUPAGE SOIL AND WATER CONSERVATION DISTRICT (KDSWCD) MUST BE NOTIFIED ONE WEEK PRIOR TO THE PRE-CONSTRUCTION CONFERENCE, ONE WEEK PRIOR TO THE COMMENCEMENT OF LAND DISTURBING ACTIVITIES, AND ONE WEEK PRIOR TO THE FINAL INSPECTION.
- 3. A COPY OF THE APPROVED EROSION AND SEDIMENT CONTROL PLAN SHALL BE MAINTAINED ON THE SITE AT ALL TIMES.
- 4. PRIOR TO COMMENCING LAND-DISTURBING ACTIVITIES IN AREAS OTHER THAN INDICATED ON THESE PLANS (INCLUDING BUT NOT LIMITED TO, ADDITIONAL PHASES OF DEVELOPMENT AND OFF-SITE BORROW OR WASTE AREAS) A SUPPLEMENTARY EROSION CONTROL PLAN SHALL BE SUBMITTED TO THE OWNER FOR REVIEW BY THE KDSWCD.
- 5. THE CONTRACTOR IS RESPONSIBLE FOR INSTALLATION OF ANY ADDITIONAL EROSION CONTROL MEASURES NECESSARY TO PREVENT EROSION AND SEDIMENTATION AS DETERMINED BY THE KDSWCD.
- 6. DEWATERING OPERATIONS MAY INCLUDE SEDIMENT COLLECTION TRAPS OR TANKS, A FILTER BAG WITH SECONDARY CONTAINMENT, OR A DESIGNED POLYMER SYSTEM FOR SEDIMENT CONTROL.
- 7. OVERALL AND EXACT MEANS/METHODS FOR COFFERDAM DEWATERING OPERATION, AND ACCESS PAD THAT ARE DETERMINED BY THE CONTRACTOR SHOULD BE CONVEYED AND APPROVED BY THE KDSWCD PRIOR TO STARTING WORK. THIS CAN BE A PHONE CALL, PRE-CONSTRUCTION MEETING, OR SHOP DRAWING SUBMITTAL AT LEAST 72 HOURS PRIOR TO THE START OF WORK.
- 8. THE WORK AREA SHOULD BE COMPLETELY DEWATERED PRIOR TO EXCAVATION AND DISCHARGE WATER SHOULD BE MONITORED CONTINUOUSLY AND PLACED ON AN ENERGY DISSIPATING SURFACE.
- 9. IT IS THE RESPONSIBILITY OF THE LANDOWNER AND/OR GENERAL CONTRACTOR TO INFORM ANY SUB-CONTRACTOR(S) WHO MAY PERFORM WORK ON THIS PROJECT, OF THE REQUIREMENTS IN IMPLEMENTING AND MAINTAINING THESE EROSION CONTROL PLANS AND THE NATIONAL POLLUTANT DISCHARGE ELIMINATION SYSTEM (NPDES) PERMIT REQUIREMENTS SET FORTH BY THE ILLINOIS EPA.



FILE NAME = 080043-shr-erosion.dgn	USER NAME =	DESIGNED - L.F.S.	REVISED -	<b>STATE OF ILLINOIS KANE COUNTY DIVISION OF TRANSPORTATION</b>	<b>HLR</b>	<b>EROSION CONTROL PLAN DAMISCH ROAD / C.H. 7</b>	F.A.S.	SECTION	COUNTY	TOTAL SHEETS	SHEET NO.
		DRAWN - T.W.K.	REVISED -				132	07-00358-00-BR	KANE	33	7
		CHECKED - S.W.M.	REVISED -				CONTRACT NO. 63444				
		DATE - 01/07/10	REVISED -				FED. ROAD DIST. NO.	ILLINOIS	FED. AID PROJECT		