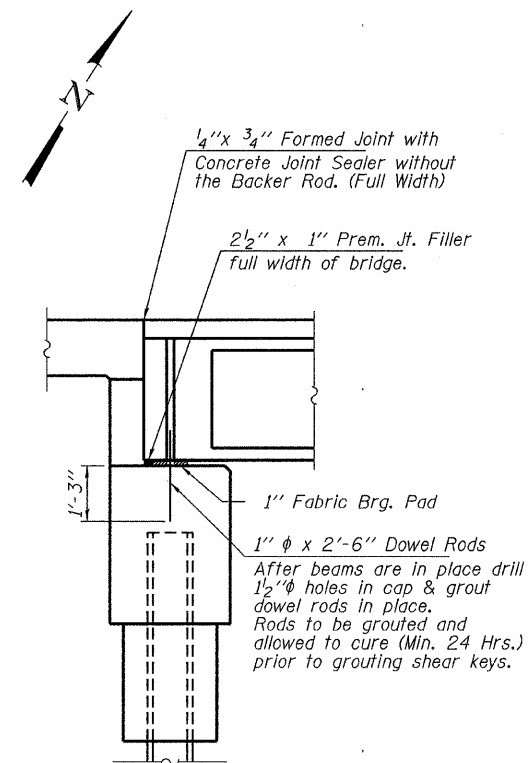
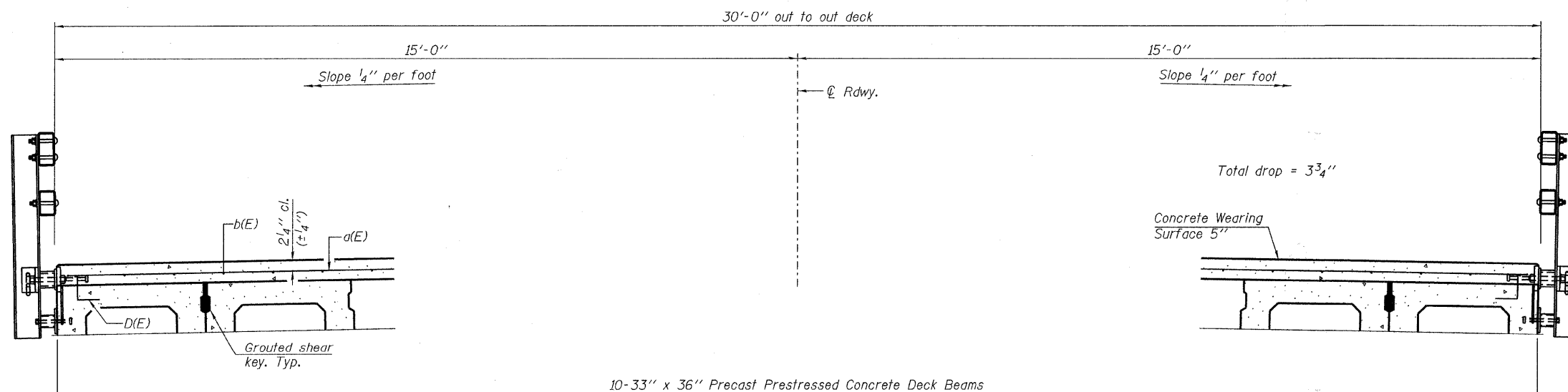


PLAN



SECTION A-A
(Dimensions are at Rt. L's)



CROSS SECTION
(Looking East)

Notes:
All concrete wearing surfaces shall be placed prior to casting a backwall and/or approach slab. See sheet 22 for fabric bearing pad details. Place strands symmetrically about CL of beam. The R.C. Wearing Surface area covers the PPC deck beams only.

BILL OF MATERIAL

BAR	NO.	SIZE	LENGTH	SHAPE
a(E)	75	#4	34'-9"	—
b(E)	93	#4	26'-3"	—
Bridge Deck Grooving			Sq. Yd.	230
Protective Coat			Sq. Yd.	257
Reinforcement Bars, Epoxy Coated			Pound	3,350
Bar Splicers			Each	62
Concrete Wearing Surface, 5"			Sq. Yd.	247

MIN. BAR LAP
#4 bar = 2'-7"

Notes:
See sheet 21, 22 & 24 for Superstructure Details and Bill of Material.
Bars indicated thus 31x3-#4 etc. indicates 31 lines of bars with 3 lengths per line.
Spacing of a(E) bars shall be measured along the CL of structure.

DESIGNED - S.W.M.
CHECKED - A.S.L.
DRAWN - D.A.B.
CHECKED - S.W.M.

PDS-S-R34-R 11-1-09

HAMPTON, LENZINI & RENWICK, INC.
CIVIL & STRUCTURAL ENGINEERS
LAND SURVEYORS

HLR 3085 STEVENSON DRIVE, SUITE 201
SPRINGFIELD, ILLINOIS 62703
(217) 546-3400

PROJECT NUMBER: 08.0043.130 DATE: 01/07/10

SUPERSTRUCTURE DETAILS
STRUCTURE NO. 045-6302

FAS	SECTION	COUNTY	TOTAL SHEETS	SHEET NO.
132	07-00358-00-BR	KANE	33	24
DAMISCH ROAD OVER TYLER CREEK		CONTRACT NO. 63444		
FED. ROAD DIST. NO.	ILLINOIS	FED. AID PROJECT		