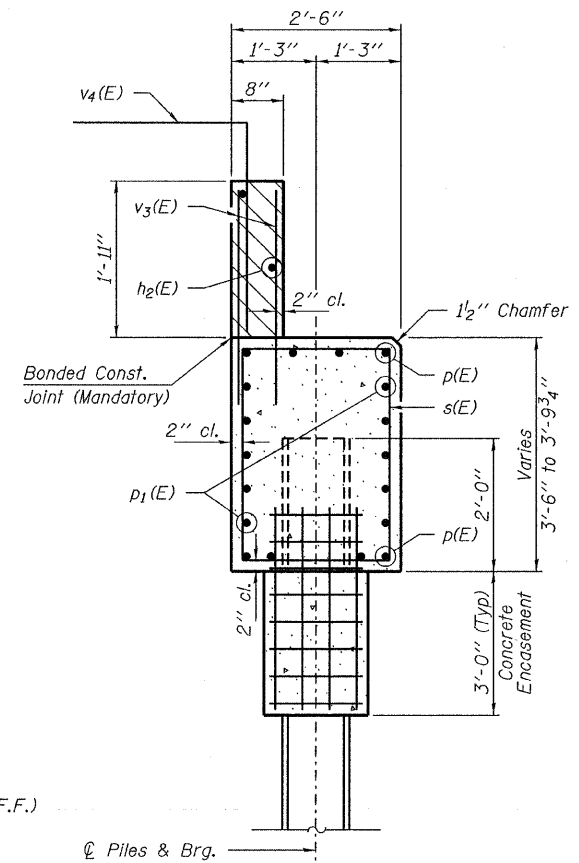
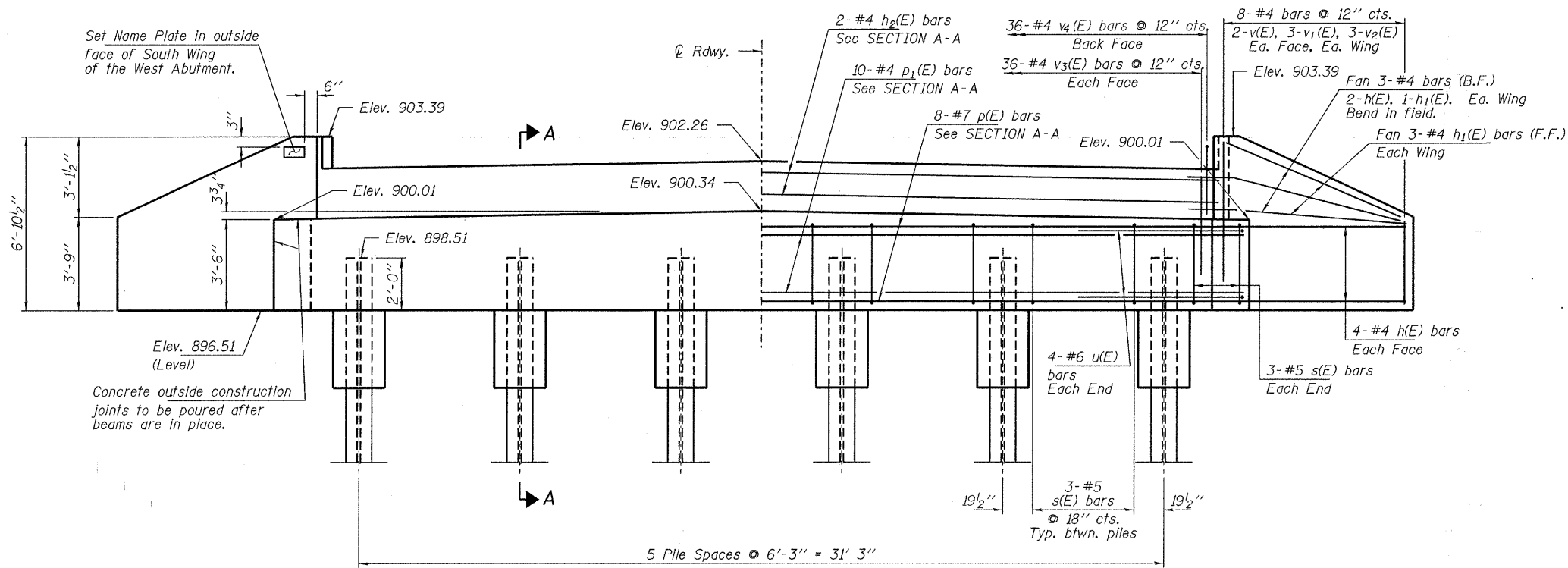


**PLAN**



**SECTION A-A**

Hatched area to be poured after beams are in place.



**ELEVATION**

**PILE DATA**

Type.....Steel HP12x53  
 No. Req'd. (2 Abutments).....\*12  
 Factored Resistance Available.....194 Kips/Pile  
 Nominal Req'd Bearing.....388 Kips/Pile  
 Est. Length.....55 Ft/Pile

Notes: \*Includes one test pile to be driven in permanent location at the West Abutment.

The Steel H-Piles shall be according to AASHTO M270 Grade 50.

The test piles shall be driven to 110 percent of the Nominal Required Bearing indicated in the pile data information.

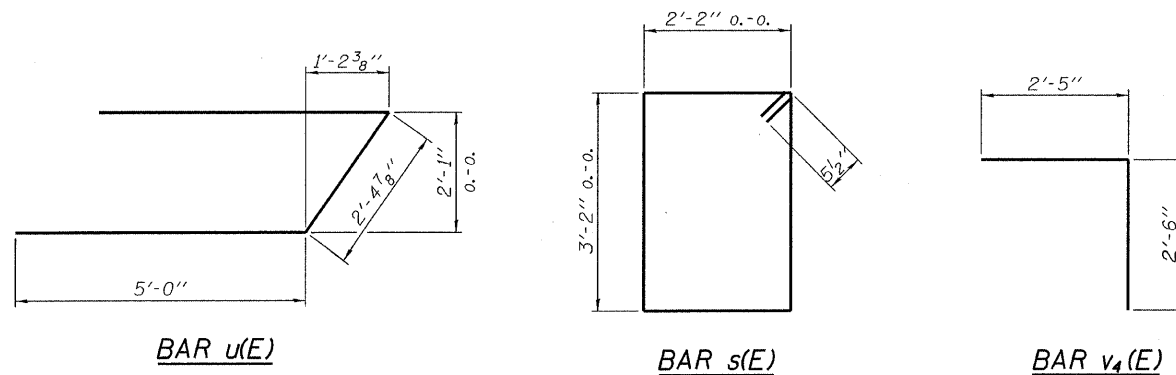
**BILL OF MATERIAL - 2 ABUTS.**

BAR	NO.	SIZE	LENGTH	SHAPE
h(E)	40	#4	9'-0"	—
h1(E)	16	#4	7'-6"	—
h2(E)	4	#4	34'-6"	—
p(E)	16	#7	36'-1"	—
p1(E)	20	#4	36'-1"	—
s(E)	42	#5	11'-7"	□
u(E)	16	#6	12'-5"	▭
v(E)	16	#4	6'-4"	—
v1(E)	24	#4	4'-9"	—
v2(E)	24	#4	3'-5"	—
v3(E)	144	#4	2'-9"	—
v4(E)	72	#4	4'-11"	┌
Concrete Structures			Cu. Yd.	34.0
Concrete Encasement			Cu. Yd.	4.0
Reinforcement Bars, Epoxy Coated			Pound	3,580
Steel Piles HP12x53			Foot	605
Test Pile Steel HP12x53			Each	1
Name Plates			Each	1

All reinforcement bars shall be epoxy coated.

**ABUTMENTS  
STRUCTURE NO. 045-6302**

DESIGNED - S.W.M.
CHECKED - A.S.L.
DRAWN - D.A.B.
CHECKED - S.W.M.



**HAMPTON, LENZINI & RENWICK, INC.**  
 CIVIL & STRUCTURAL ENGINEERS  
 LAND SURVEYORS

**HLR** 3085 STEVENSON DRIVE, SUITE 201  
 SPRINGFIELD, ILLINOIS 62703  
 (217) 546-3400

PROJECT NUMBER: 08.0043.130 DATE: 01/07/10

FAS	SECTION	COUNTY	TOTAL SHEETS	SHEET NO.
132	07-00358-00-BR	KANE	33	29
DAMISCH ROAD OVER TYLER CREEK		CONTRACT NO. 63444		
FED. ROAD DIST. NO.	ILLINOIS	FED. AID PROJECT		