

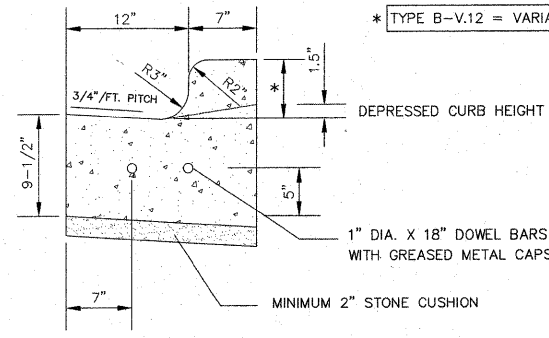
NOTES:

1" PREFORMED EXPANSION MOLDING SHALL BE PLACED WITH TWO SMOOTH 1" DIA. DOWEL BARS WITH GREASED CAPS AT ALL POINTS OF CURVATURE AND CORNERS.

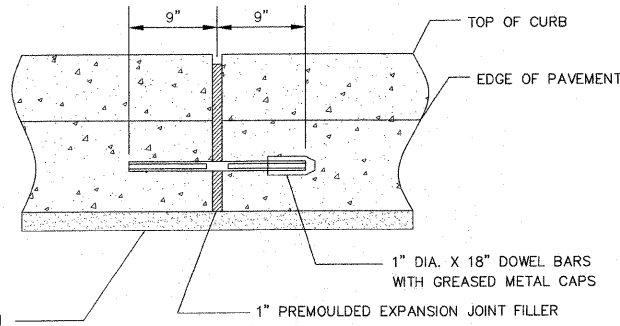
CONTRACTION JOINTS SHALL BE SAW CUT OR TOOLED TO A DEPTH OF 2" @ 15' MINIMUM SPACING. SAW CUT CONTRACTION JOINTS SHALL BE DONE WITHIN 24 HR.. ALL CONTRACTION JOINTS SHALL BE SEALED WITH AN IDOT APPROVED JOINT SEALANT.

AN IDOT APPROVED CURING COMPOUND SHALL BE USED ON ALL PROPOSED CONCRETE CURB AND GUTTER.

3/4" TIE ANCHOR BARS SHALL BE INSTALLED WHERE CURB AND GUTTER IS PLACED AGAINST RIGID BASE MATERIALS AND IN THE ENDS OF EXISTING CURB AND GUTTER TO TIE THE NEW CURB TO THE EXISTING. TIE ANCHOR BARS WILL BE PAID FOR SEPARATELY.

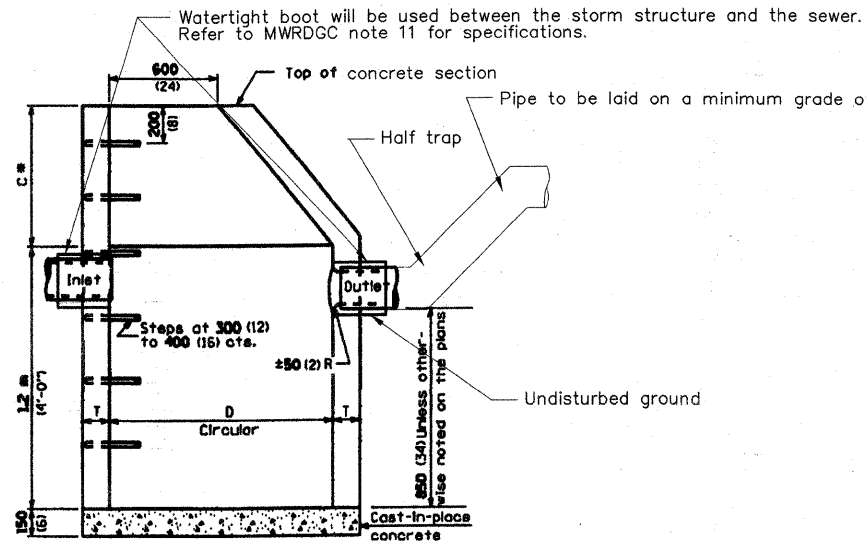


* TYPE B-V.12 = VARIABLE HEIGHT CURB VARIES FROM 4" TO 6"



EXPANSION JOINT DETAIL

COMBINATION CONCRETE CURB AND GUTTER, TYPE B-V.12



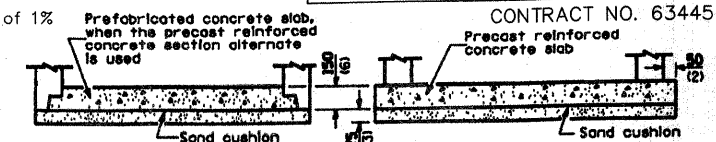
ELEVATION

NOTE: CATCH BASIN, TYPE C, SPECIAL SHALL BE 2'-0" IN DIAMETER WITH A 15" SUMP

CATCH BASIN, TYPE A

FAU RTE	SECTION	COUNTY	TOTAL SHEETS	SHEET NO.
2798	03-00193-00-FP	COOK	51	6
F.H.W.A. REG.		ILLINOIS PROJECT	M-9003(488)	

CONTRACT NO. 63445



ALTERNATE BOTTOM SLAB

ALTERNATE MATERIALS FOR WALLS	D	C	T (min.)
Precast Reinforced Concrete Section	1.2 m (4'-0")	750 (30)	100 (4)
Cast-in-place Concrete	1.5 m (5'-0")	1,125 (45)	125 (5)

GENERAL NOTES

All catch basins shall be 1.2m (4'-0") in diameter unless otherwise noted on the plans.

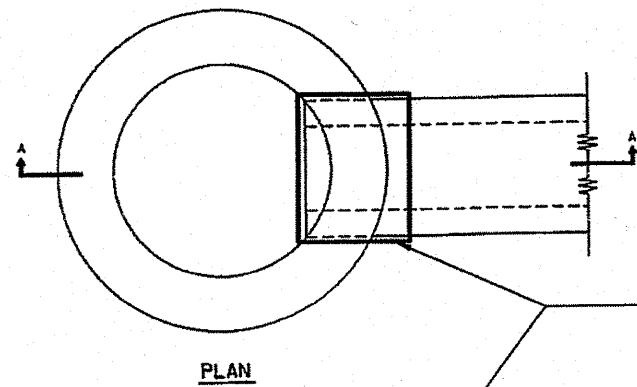
See Standard IDOT 602601 for optional precast reinforced concrete flat slab top.

*Dimension C for precast reinforced concrete section may vary from the dimension given to plus 150mm (6").

See Standard IDOT 602701 for details of steps.

All dimensions are in millimeters (inches) unless otherwise shown.

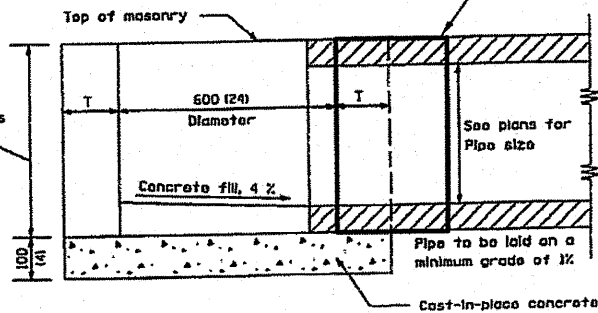
CATCH BASIN, TYPE C



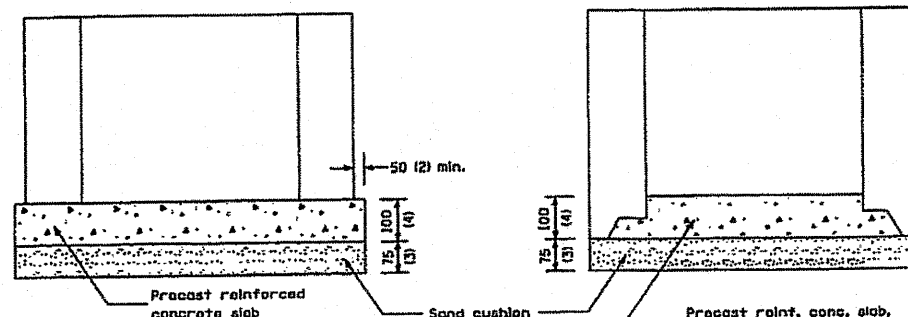
TOP OF PRECAST STRUCTURE

ALTERNATE MATERIALS FOR WALLS	T
BRICK MASONRY	200 (8)
CAST-IN-PLACE CONCRETE	150 (6)
CONCRETE MASONRY UNIT	125 (5)
PRECAST REINFORCED CONCRETE SECTION	75 (3)

A watertight boot will be used between the storm structure and the sewer. Refer to MWRDGC note 11 for specifications.



SECTION A-A



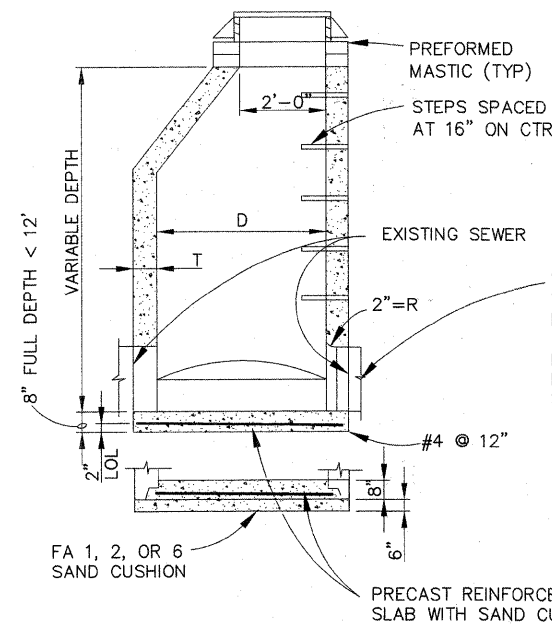
ALTERNATE METHODS

All dimensions are in millimeters (inches) unless otherwise shown.

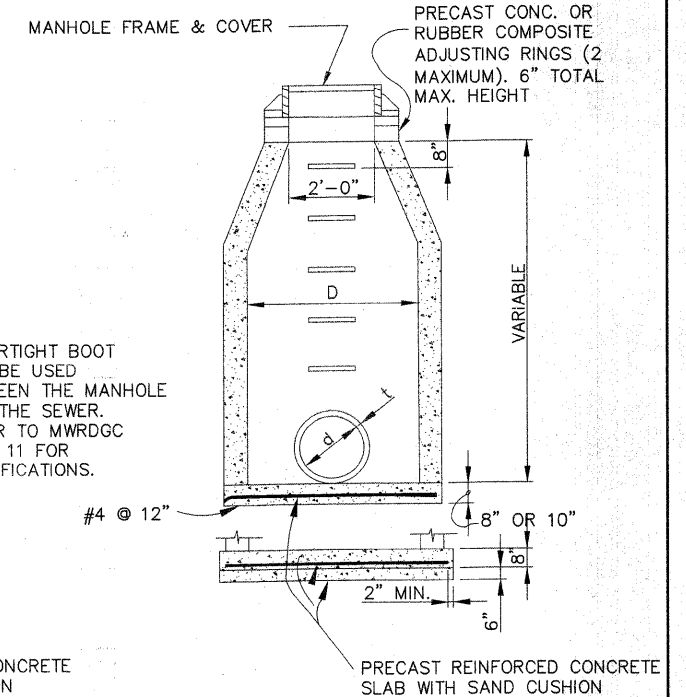
INLET, TYPE A

NOTES:

PROVIDE CA-6 AGGREGATE BACKFILL AROUND MANHOLE TO SUBGRADE ELEVATION IN PAVED AREAS. LIFT HOLES ON MANHOLES TO BE SEALED WITH CONCRETE PLUG AND MASTIC



SECTION-ECCENTRIC



SECTION-CONCENTRIC

FOR DIAMETER, D= 4 ft. THICKNESS, T= 5 in.
5 ft. 6 in.
6 ft. 6 in.

MANHOLE, TYPE A

Frank Novotny & Associates, Inc.
Civil Engineers
825 Midway Drive ♦ Willowbrook, IL ♦ 60527 ♦ Telephone: (630) 887-8640 ♦ Fax: (630) 887-0132
Illinois Professional Design Firm No. 184-000928

PROJECT
TOWN OF CICERO, ILLINOIS
CENTRAL AVENUE RESURFACING
SECTION 03-00193-00-FP

REVISIONS			
NO.	BY	DATE	DESCRIPTION
1	AMS	1/22/10	PER IDOT REVIEW

SPECIAL PROJECT DETAILS

PROJECT NO. 05043	SCALE NONE	SHEET 6 OF 51 SHEETS
DRAWN/DESIGNED JFP-JEP/THK	DATE DEC., 2009	
CHECKED/APPROVED JLC/THK	FIELD BOOK NO. FILE	