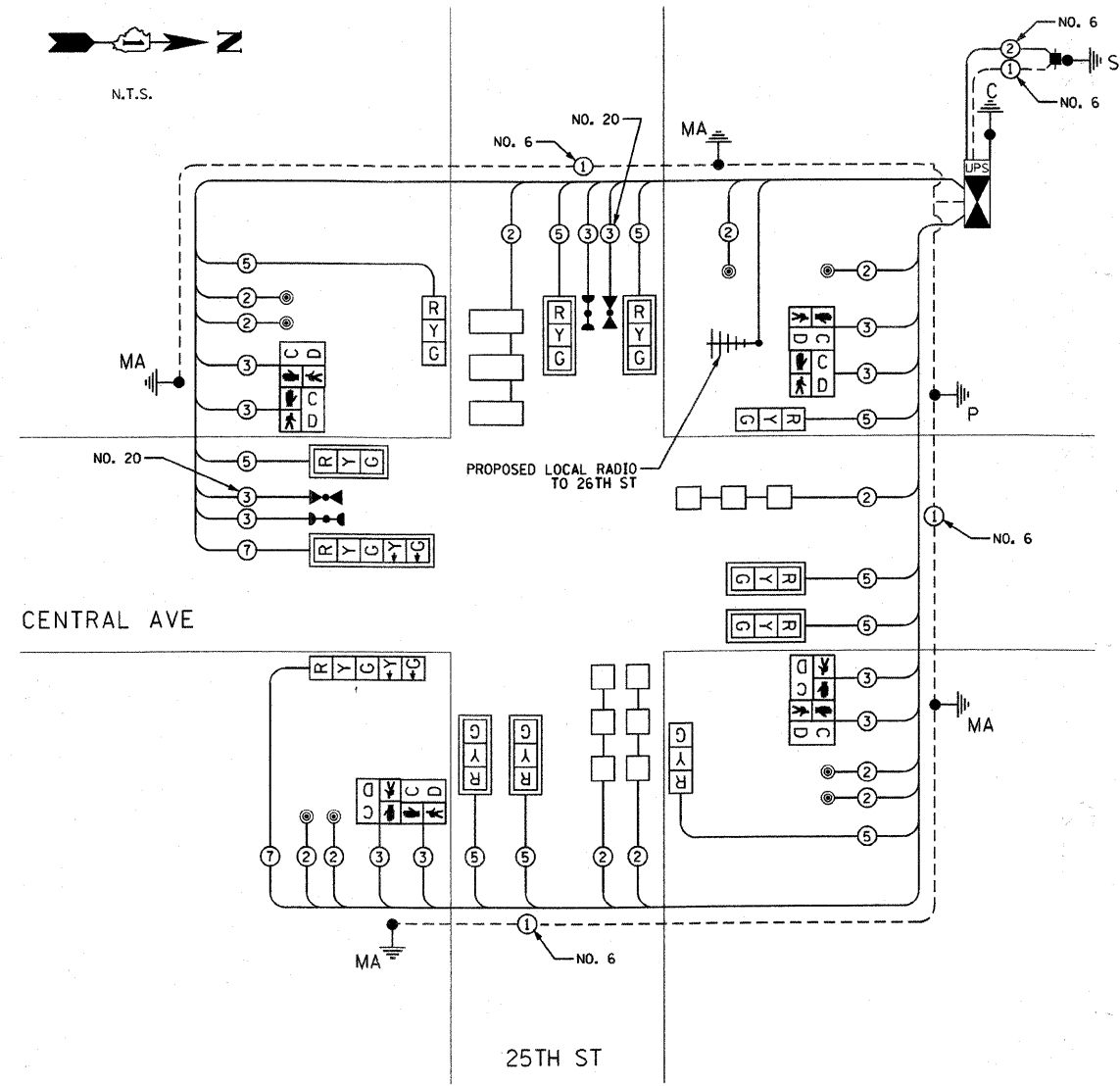


I.D.O.T. TRAFFIC SIGNAL INSTALLATION ELECTRICAL SERVICE REQUIREMENTS					TOTAL WATTAGE
TYPE	NO. LAMPS	WATTAGE (INCAND.)	WATTAGE LED	% OPERATION	
SIGNAL (RED)	12		17	0.50	102.0
(YELLOW)	12		25	0.25	75.0
(GREEN)	12		15	0.25	45.0
ARROW	4		12	0.10	4.8
PED. SIGNAL	8		25	1.00	200.0
CONTROLLER	1		100	1.00	100.0
ILLUM. SIGN				0.05	
FLASHER				0.50	
TOTAL =					526.8

ENERGY COSTS TO:
TOWN OF CICERO
4949 WEST CERMAK ROAD
CICERO, ILLINOIS 60804

ENERGY SUPPLY CONTACT: MIKE BELL
PHONE: (708) 410-5314
COMPANY: COMED

PROPOSED CABLE PLAN



NOTE:
THE TRAFFIC SIGNAL CONTROL EQUIPMENT FOR THIS PROJECT SHALL BE "ECONOLITE" TO ENSURE COMPATIBILITY WITH A FUTURE INTERCONNECT

NOTE:
THE EMERGENCY VEHICLE PREEMPTION EQUIPMENT FOR THIS PROJECT SHALL BE "3M OPTICOM" TO MEET THE TOWN OF CICERO REQUIREMENTS

SCHEDULE OF QUANTITIES

QTY	UNIT	ITEM DESCRIPTION
27	SQ FT	SIGN PANEL - TYPE 1
15	FOOT	CONDUIT IN TRENCH, 2 1/2" DIA., GALVANIZED STEEL
22	FOOT	CONDUIT IN TRENCH, 3" DIA., GALVANIZED STEEL
20	FOOT	CONDUIT IN TRENCH, 4" DIA., GALVANIZED STEEL
235	FOOT	CONDUIT PUSHED, 2" DIA., GALVANIZED STEEL
174	FOOT	CONDUIT PUSHED, 4" DIA., GALVANIZED STEEL
4	EACH	HANDHOLE
1	EACH	HEAVY-DUTY HANDHOLE
1	EACH	DOUBLE HANDHOLE
42	FOOT	TRENCH AND BACKFILL FOR ELECTRICAL WORK
1	EACH	FULL-ACTUATED CONTROLLER AND TYPE IV CABINET, SPECIAL
846	FOOT	ELECTRIC CABLE IN CONDUIT, SIGNAL NO. 14 2C
1139	FOOT	ELECTRIC CABLE IN CONDUIT, SIGNAL NO. 14 3C
1293	FOOT	ELECTRIC CABLE IN CONDUIT, SIGNAL NO. 14 5C
319	FOOT	ELECTRIC CABLE IN CONDUIT, SIGNAL NO. 14 7C
351	FOOT	ELECTRIC CABLE IN CONDUIT, LEAD-IN, NO. 14 1 PAIR
151	FOOT	ELECTRIC CABLE IN CONDUIT, SERVICE, NO. 6 2C
1	EACH	TRAFFIC SIGNAL POST, GALVANIZED STEEL 14 FT.
1	EACH	STEEL MAST ARM ASSEMBLY AND POLE, 26 FT.
1	EACH	STEEL MAST ARM ASSEMBLY AND POLE, 28 FT.
1	EACH	STEEL MAST ARM ASSEMBLY AND POLE, 30 FT.
1	EACH	STEEL MAST ARM ASSEMBLY AND POLE, 34 FT.
4	FOOT	CONCRETE FOUNDATION, TYPE A
4	FOOT	CONCRETE FOUNDATION, TYPE C
60	FOOT	CONCRETE FOUNDATION, TYPE E 30-INCH DIAMETER
7	EACH	SIGNAL HEAD, LED, 1-FACE, 3-SECTION, MAST ARM MOUNTED
3	EACH	SIGNAL HEAD, LED, 1-FACE, 3-SECTION, BRACKET MOUNTED
1	EACH	SIGNAL HEAD, LED, 1-FACE, 5-SECTION, BRACKET MOUNTED
1	EACH	SIGNAL HEAD, LED, 1-FACE, 5-SECTION, MAST ARM MOUNTED
4	EACH	PEDESTRIAN SIGNAL HEAD, LED, 2-FACE, BRACKET MOUNTED WITH COUNTDOWN TIMER
8	EACH	TRAFFIC SIGNAL BACKPLATE, LOUVERED, ALUMINUM
4	EACH	INDUCTIVE LOOP DETECTOR
397	FOOT	DETECTOR LOOP, TYPE I
2	EACH	LIGHT DETECTOR
1	EACH	LIGHT DETECTOR AMPLIFIER
8	EACH	PEDESTRIAN PUSH-BUTTON
1	EACH	TEMPORARY TRAFFIC SIGNAL INSTALLATION
1	EACH	REMOVE EXISTING TRAFFIC SIGNAL EQUIPMENT
5	EACH	REMOVE EXISTING HANDHOLE
9	EACH	REMOVE EXISTING CONCRETE FOUNDATION
4	EACH	PAINT NEW COMBINATION MAST ARM AND POLE, UNDER 40 FT
1	EACH	PAINT NEW SIGNAL POST
1	EACH	TEMPORARY TRAFFIC SIGNAL TIMING SERVICE INSTALLATION, POLE MOUNTED
1	EACH	UNINTERRUPTABLE POWER SUPPLY
491	FOOT	ELECTRIC CABLE IN CONDUIT, GROUNDING, NO. 6 1C
209	FOOT	ELECTRIC CABLE IN CONDUIT, NO. 20 3/C, TWISTED, SHIELDED

KLOAN
Karig, Lindgren, O'Hara, Aboona, Inc.

9575 West Higgins Road, Suite 400
Rosemont, Illinois 60018
P: (847) 518-9990 F: (847) 518-9987
PROJECT # 09-158

Frank Novotny & Associates, Inc.
Civil Engineers
825 Midway Drive ♦ Willowbrook, IL ♦ 60527 ♦ Telephone: (630) 887-8640 ♦ Fax: (630) 887-0132
Illinois Professional Design Firm No. 184-000928

PROJECT
**TOWN OF CICERO, ILLINOIS
CENTRAL AVENUE RESURFACING
SECTION 03-00193-00-FP**

REVISIONS			
NO.	BY	DATE	DESCRIPTION
1	THK/DMS	1-22-10	PER IDOT REVIEW

**CABLE PLAN PHASE DESIGNATION DIAGRAM
CABLE PLAN, PHASE
DESIGNATION DIAGRAM,
EVP SEQUENCE AND
SCHEDULE OF QUANTITIES
CENTRAL AVE AT 25TH ST**

PROJECT NO. 05043	SCALE NONE	SHEET 32 OF 51 SHEETS
DRAWN/DESIGNED JFP/THK-DMS	DATE DEC., 2009	
CHECKED/APPROVED TPG/THK	FIELD BOOK NO. FILE	