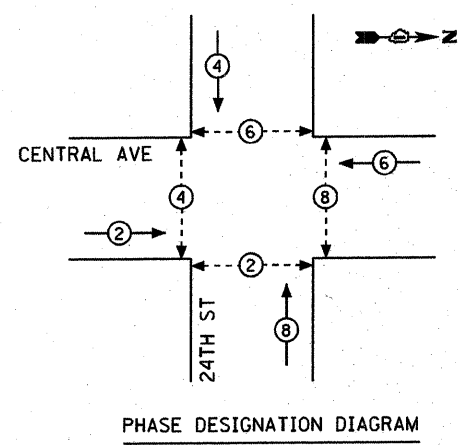


FAU RTE	SECTION	COUNTY	TOTAL SHEETS	SHEET NO.
2798	03-00193-00-FP	COOK	51	36
F.H.W.A. REG.		ILLINOIS PROJECT	M-9003(488)	

CONTRACT NO. 634#5  
4

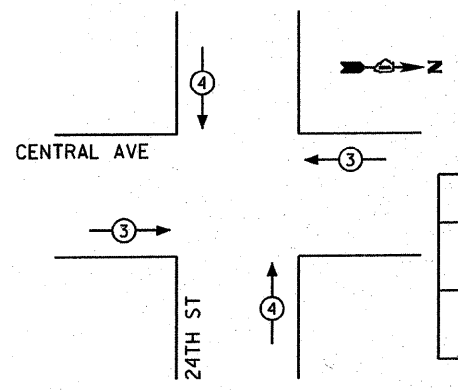
**CONTROLLER SEQUENCE**



- LEGEND**
- DUAL ENTRY PHASE
  - SINGLE ENTRY PHASE
  - OVERLAP
  - PEDESTRIAN PHASE
  - NUMBER REFERS TO ASSOCIATED PHASE

PHASE DESIGNATION DIAGRAM

**EMERGENCY VEHICLE PREEMPTION SEQUENCE**



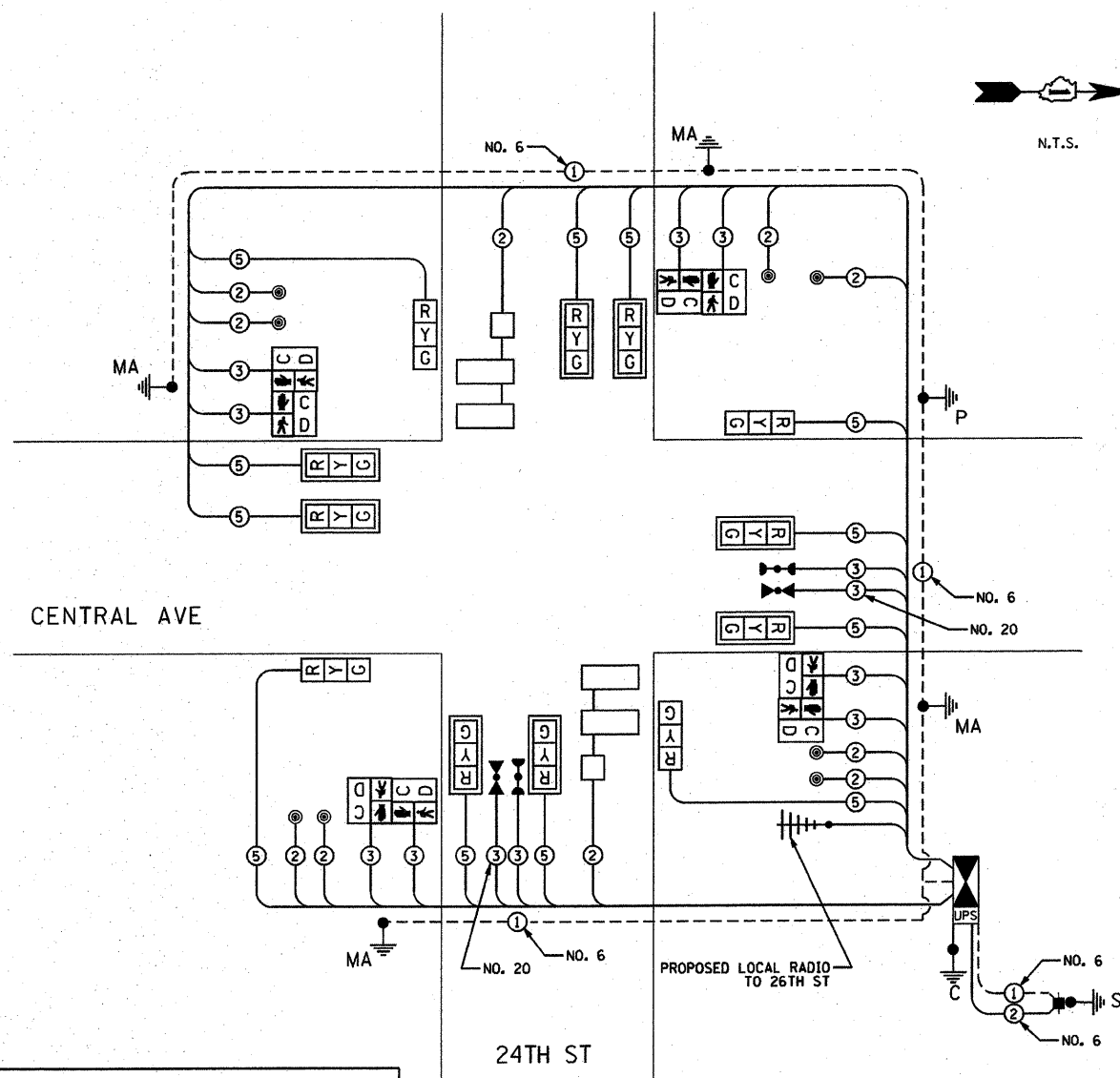
PROPOSED EMERGENCY VEHICLE PREEMPTORS		
EMERGENCY VEHICLE PREEMPTOR	3	4
MOVEMENT	←	↑

I.D.O.T. TRAFFIC SIGNAL INSTALLATION ELECTRICAL SERVICE REQUIREMENTS					TOTAL WATTAGE
TYPE	NO. LAMPS	WATTAGE (INCAND.)	LED	% OPERATION	
SIGNAL (RED)	12		17	0.50	102.0
(YELLOW)	12		25	0.25	75.0
(GREEN)	12		15	0.25	45.0
ARROW	-		12	0.10	-
PED. SIGNAL	8		25	1.00	200.0
CONTROLLER	1		100	1.00	100.0
ILLUM. SIGN				0.05	
FLASHER				0.50	
ENERGY COSTS TO:				TOTAL =	522.0
TOWN OF CICERO 4949 WEST CERMAK ROAD CICERO, ILLINOIS 60804					
ENERGY SUPPLY CONTACT: MIKE BELL PHONE: (708) 410-5314 COMPANY: COMED					

**NOTE:**  
THE TRAFFIC SIGNAL CONTROL EQUIPMENT FOR THIS PROJECT SHALL BE "ECONDLITE" TO ENSURE COMPATIBILITY WITH A FUTURE INTERCONNECT

**NOTE:**  
THE EMERGENCY VEHICLE PREEMPTION EQUIPMENT FOR THIS PROJECT SHALL BE "3M OPTICOM" TO MEET THE TOWN OF CICERO REQUIREMENTS

**PROPOSED CABLE PLAN**



**SCHEDULE OF QUANTITIES**

QTY	UNIT	ITEM DESCRIPTION
27	SQ FT	SIGN PANEL - TYPE 1
98	FOOT	CONDUIT IN TRENCH, 2" DIA., GALVANIZED STEEL
15	FOOT	CONDUIT IN TRENCH, 2 1/2" DIA., GALVANIZED STEEL
27	FOOT	CONDUIT IN TRENCH, 3" DIA., GALVANIZED STEEL
20	FOOT	CONDUIT IN TRENCH, 4" DIA., GALVANIZED STEEL
46	FOOT	CONDUIT PUSHED, 2" DIA., GALVANIZED STEEL
164	FOOT	CONDUIT PUSHED, 4" DIA., GALVANIZED STEEL
4	EACH	HANDHOLE
1	EACH	DOUBLE HANDHOLE
145	FOOT	TRENCH AND BACKFILL FOR ELECTRICAL WORK
1	EACH	FULL-ACTUATED CONTROLLER AND TYPE IV CABINET, SPECIAL
845	FOOT	ELECTRIC CABLE IN CONDUIT, SIGNAL NO. 14 2C
1139	FOOT	ELECTRIC CABLE IN CONDUIT, SIGNAL NO. 14 3C
1585	FOOT	ELECTRIC CABLE IN CONDUIT, SIGNAL NO. 14 5C
180	FOOT	ELECTRIC CABLE IN CONDUIT, LEAD-IN, NO. 14 1 PAIR
169	FOOT	ELECTRIC CABLE IN CONDUIT, SERVICE, NO. 6 2C
1	EACH	TRAFFIC SIGNAL POST, GALVANIZED STEEL 14 FT.
4	EACH	STEEL MAST ARM ASSEMBLY AND POLE, 28 FT.
4	FOOT	CONCRETE FOUNDATION, TYPE A
4	FOOT	CONCRETE FOUNDATION, TYPE C
60	FOOT	CONCRETE FOUNDATION, TYPE E 30-INCH DIAMETER
8	EACH	SIGNAL HEAD, LED, 1-FACE, 3-SECTION, MAST ARM MOUNTED
4	EACH	SIGNAL HEAD, LED, 1-FACE, 3-SECTION, BRACKET MOUNTED
4	EACH	PEDESTRIAN SIGNAL HEAD, LED, 2-FACE, BRACKET MOUNTED WITH COUNTDOWN TIMER
8	EACH	TRAFFIC SIGNAL BACKPLATE, LOUVERED, ALUMINUM
2	EACH	INDUCTIVE LOOP DETECTOR
220	FOOT	DETECTOR LOOP, TYPE I
2	EACH	LIGHT DETECTOR
1	EACH	LIGHT DETECTOR AMPLIFIER
8	EACH	PEDESTRIAN PUSH-BUTTON
1	EACH	TEMPORARY TRAFFIC SIGNAL INSTALLATION
1	EACH	REMOVE EXISTING TRAFFIC SIGNAL EQUIPMENT
5	EACH	REMOVE EXISTING HANDHOLE
9	EACH	REMOVE EXISTING CONCRETE FOUNDATION
4	EACH	PAINT NEW COMBINATION MAST ARM AND POLE, UNDER 40 FT
1	EACH	PAINT NEW SIGNAL POST
1	EACH	TEMPORARY TRAFFIC SIGNAL TIMING
1	EACH	SERVICE INSTALLATION, POLE MOUNTED
1	EACH	UNINTERRUPTABLE POWER SUPPLY
434	FOOT	ELECTRIC CABLE IN CONDUIT, GROUNDING, NO. 6 1C
209	FOOT	ELECTRIC CABLE IN CONDUIT, NO. 20 3/C, TWISTED, SHIELDED

**KLOAN**  
Kenig, Lindgren, O'Hara, Aboona, Inc.  
9575 West Higgins Road, Suite 400  
Rosemont, Illinois 60018  
P: (847) 518-9990 F: (847) 518-9987  
PROJECT # 09-158

**Frank Novotny & Associates, Inc.**  
Civil Engineers  
825 Midway Drive • Willowbrook, IL • 60527 • Telephone: (630) 887-8640 • Fax: (630) 887-0132  
Illinois Professional Design Firm No. 184-000928

PROJECT  
**TOWN OF CICERO, ILLINOIS  
CENTRAL AVENUE RESURFACING  
SECTION 03-00193-00-FP**

REVISIONS			
NO.	BY	DATE	DESCRIPTION
1	THK/DMS	1-22-10	PER IDOT REVIEW
2	THK/DMS	2-8-10	PER IDOT REVIEW

**CABLE PLAN, PHASE DESIGNATION DIAGRAM, EVP SEQUENCE AND SCHEDULE OF QUANTITIES  
CENTRAL AVE AT 24TH ST**

PROJECT NO. 05043	SCALE NONE	SHEET 36
DRAWN/DESIGNED JFP/THK-DMS	DATE DEC., 2009	OF 51
CHECKED/APPROVED TPG/THK	FIELD BOOK NO. FILE	SHEETS