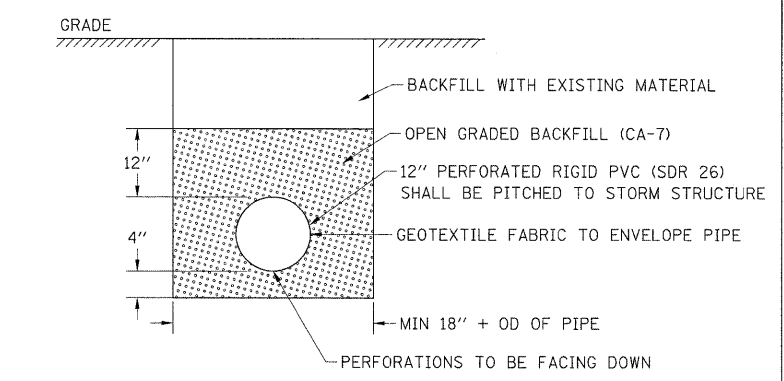


SECTION A-A  
(N.T.S.)



DETAIL FOR PIPE UNDERDRAINS 12"  
(N.T.S.)

**DRAINAGE STRUCTURE SCHEDULE**

STRUCTURE NUMBER	STATION	OFFSET	LT/RT	TYPE	LID/FRAME AND GRATE TYPE	RIM ELEVATION	INVERT ELEVATION
9	101+21.50	16.0	RT	MH, TYPE A, 4' DIA.	T1 F, CL	633.0	625.20
10	102+46.48	16.0	RT	MH, TYPE A, 4' DIA.	T1 F, CL	632.2	623.36
11	102+46.48	79.5	RT	MH, TYPE A, 4' DIA.	TY 8 G	630.8	622.41
12	102+46.48	120.0	RT	PRC FES 12"	-	-	622.00

**DRAINAGE PIPE SCHEDULE**

PIPE NUMBER	DIAMETER	LENGTH (LF)	PIPE SLOPE (%)	TYPE
8	12"	123	1.50%	PIPE UNDERDRAIN 12"
9	12"	64	1.50%	PIPE UNDERDRAIN 12"
10	12"	41	1.00%	RCCP, CLASS III, TYPE 2

**SOUTH-END GRADING AND DRAINAGE PLAN NOTES**

- STONE REMOVED FROM THE EXISTING NORTH-END PARKING LOT WILL BE DISPOSED AT THIS LOCATION. STONE WILL BE PLACED ON EXISTING GRAVEL ROAD TO A MAXIMUM THICKNESS OF 8 INCHES. SEE SECTION A-A.
- FINAL GRADING FOR THE SOUTH-END FACILITY WILL FOLLOW SECTION 212 IN THE STANDARD SPECIFICATIONS.

**LEGEND**

- DRAINAGE STRUCTURE
- PIPE



FILE NAME = 49105.sh+grading-mulch.dgn	USER NAME = lsupencheck	DESIGNED - LLS	REVISED - ---
DESIGNED BY <b>HNTB</b>	PLOT DATE =	DRAWN - LLS	REVISED - ---
		CHECKED - KJK	REVISED - ---
		DATE - 02/16/2010	REVISED - ---

**STATE OF ILLINOIS  
DEPARTMENT OF TRANSPORTATION**

**CHICAGO BOTANIC GARDEN - CLC ENTRYWAY  
SOUTH-END EXISTING CONDITIONS AND GRADING PLAN**

SCALE: 1"=30' SHEET NO. 1 OF 1 SHEETS STA. N/A TO STA. N/A

F.A. RTE. N/A	SECTION 08-00061-00-RS	COUNTY COOK	TOTAL SHEETS 28	SHEET NO. 8
FED. ROAD DIST. NO. ILLINOIS FED. AID PROJECT			CONTRACT NO. 63449	