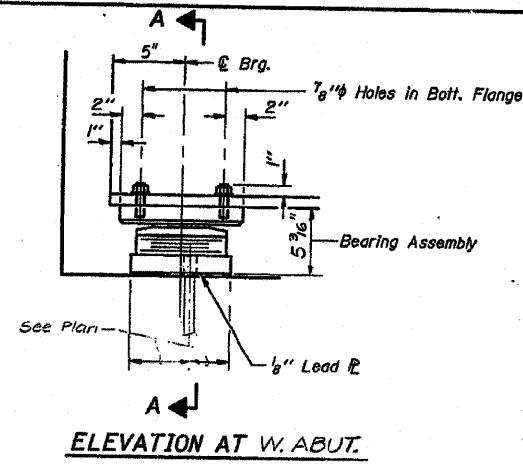
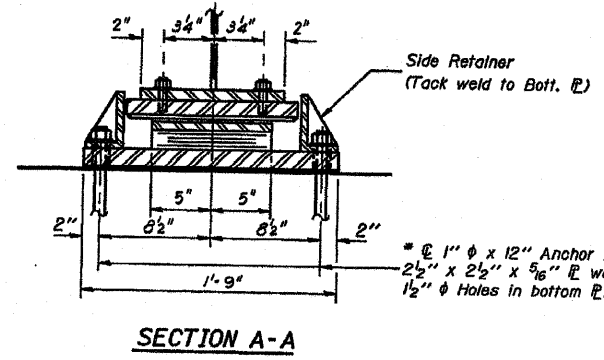


STATE OF ILLINOIS
DEPARTMENT OF TRANSPORTATION

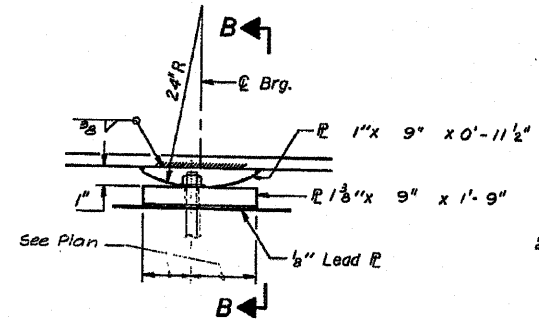
SHEET NO. 8	F.A. DIST. 401	SECTION 177-4B-3	COUNTY STEPHENSON	TOTAL SHEETS 119	SHEET NO. 51
14 SHEETS	STA. TO STA.	ILLINOIS		FED. AID PROJECT	



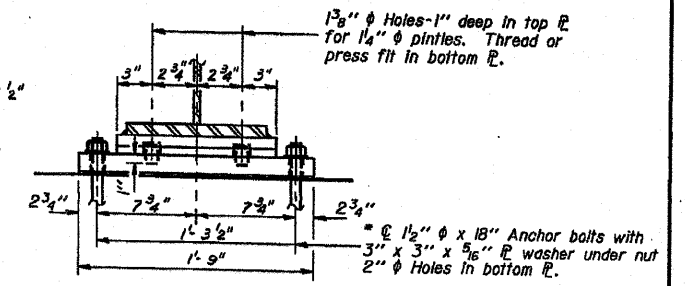
ELEVATION AT W. ABUT.



SECTION A-A



ELEVATION AT BENTS AND E. ABUTMENT



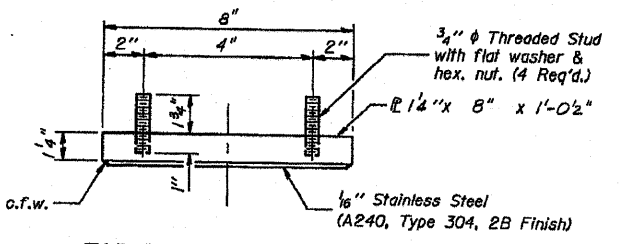
SECTION B-B

NOTE:
See Sheet No. 9 for Beam Hold Down Assembly Detail.

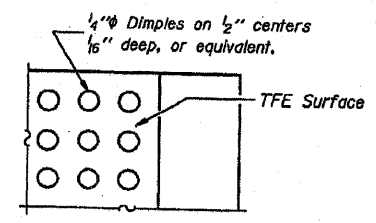
TYPE II TFE ELASTOMERIC EXP. BRG.

* Notes: Anchor bolts of fixed bearings may be built into the masonry. See sheet #9 for Anchor Bolt Installation.

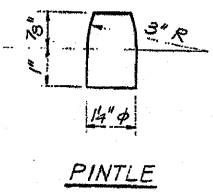
FIXED BEARING



TOP BEARING ASSEMBLY

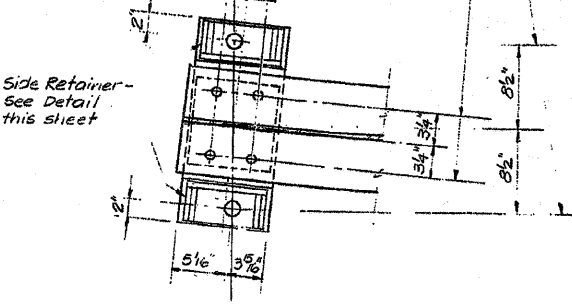


PLAN-TFE SURFACE



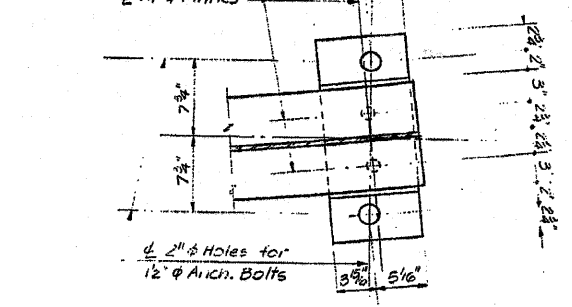
PINTLE

BEAM NO.	OFFSET	ANGLE
1	4'-08'-49"	
2	4'-06'-14"	
3	4'-08'-42"	
4	4'-11'-13"	

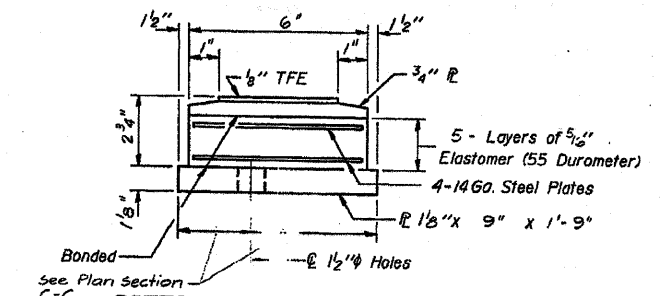


PLAN ELASTOMERIC BRG. AT WEST ABUTMENT

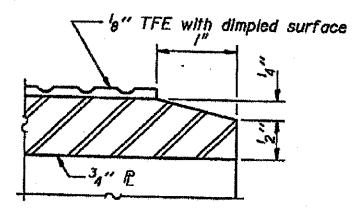
BEAM NO.	OFFSET	ANGLE
1	4'-08'-49"	
2	4'-06'-14"	
3	4'-08'-42"	
4	4'-11'-13"	



PLAN FIXED BEARING AT EAST ABUTMENT



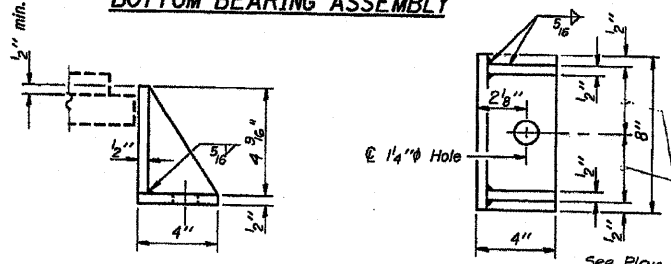
BOTTOM BEARING ASSEMBLY



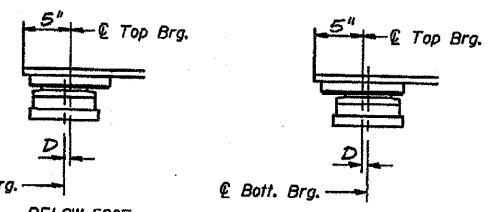
SECTION THRU TFE

Note: The 1/8" TFE sheet shall be bonded directly to the top steel plate with a two-component, medium viscosity epoxy resin, conforming to the requirements of the Federal Specification MMM-A-134, Type Y. The bond agent shall be applied on the full area of the contact surfaces.

Bonding of 1/8" TFE sheet during vulcanizing process will be permitted provided the process and method of adjusting assembly height is approved by the Engineer.



SIDE RETAINER



BELOW 50°F. ABOVE 50°F.
(Move bott. brg. away from fixed brg.) (Move bott. brg. toward fixed brg.)

BILL OF MATERIAL

Item	Unit	Total
Elastomeric Bearing Assembly Type II	Each	4

ILLINOIS DEPARTMENT OF TRANSPORTATION
DISTRICT 2
BEARING DETAILS
STEPHENSON COUNTY, SECTION 177-4B-3
F.A. 401 RAMP OVER SILVER CREEK
STA. 111+00.00
SCALE: VERT. HORIZ. DATE

REVISIONS

NAME	DATE

PLAN FIXED BEARING AT BENT #2
(FIXED BEARING AT BENT #1 OPP. HAND)

FOR INFORMATION ONLY

DESIGNED	J.D.	EXAMINED	
CHECKED	B.C.O.	PASSED	ENGINEER OF BRIDGE DESIGN