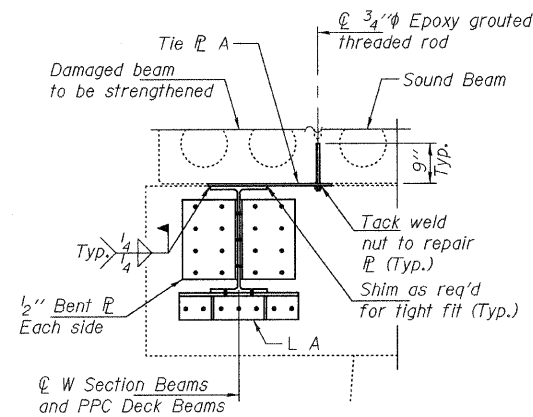
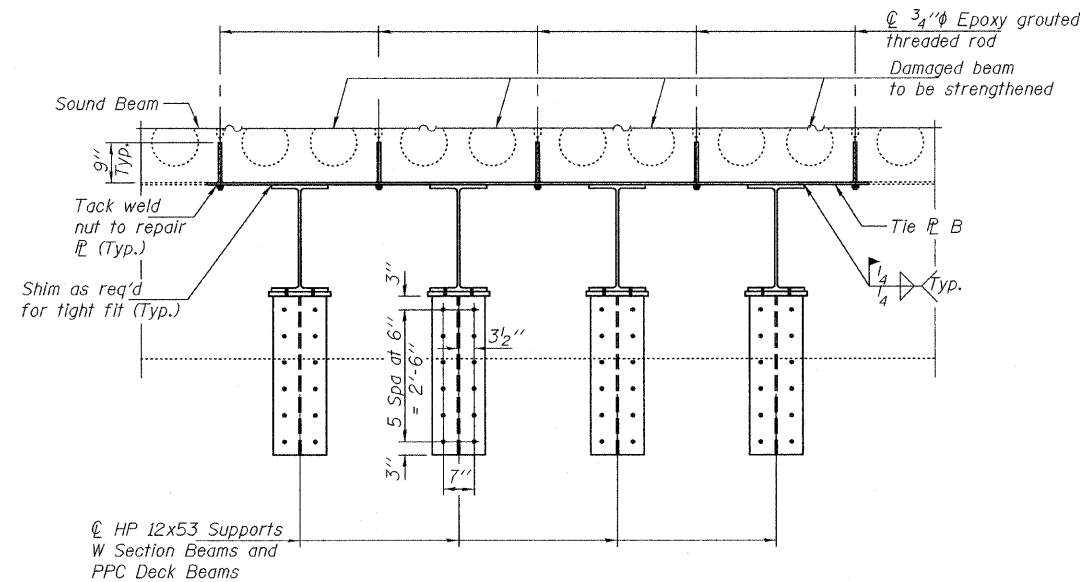


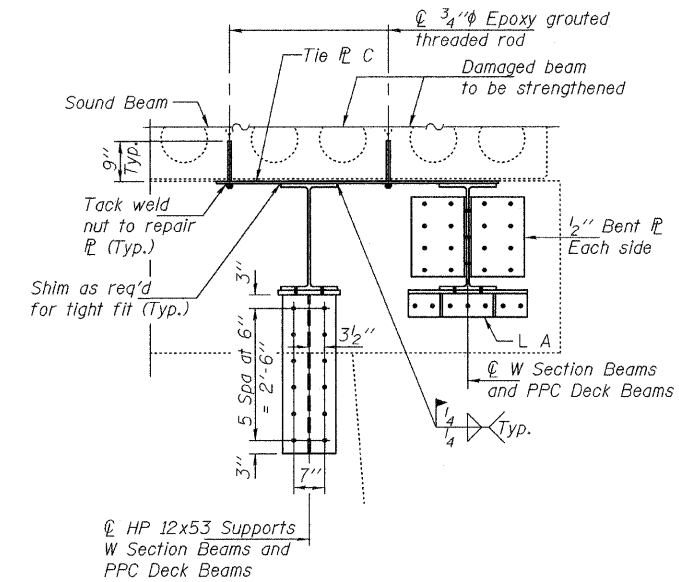
STATE OF ILLINOIS
DEPARTMENT OF TRANSPORTATION



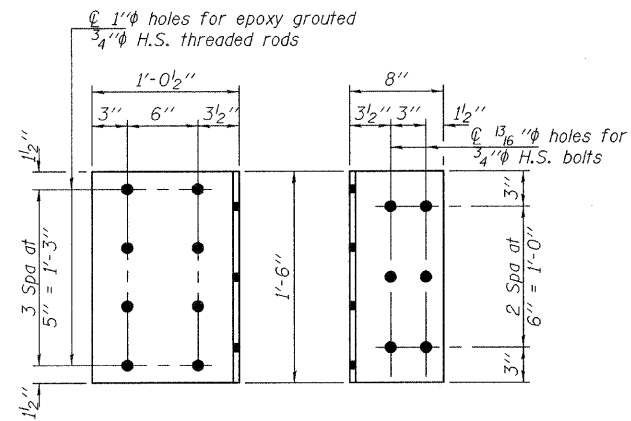
SECTION A-A



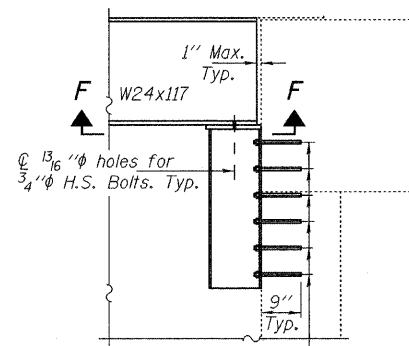
SECTION B-B



SECTION C-C

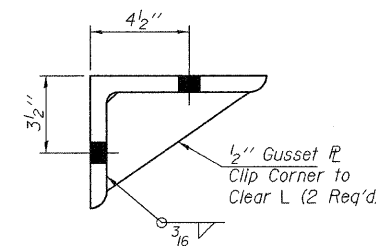


BENT L DETAIL
L 1/2" x 1'-6" x 1'-8 1/2"
(8 Required)

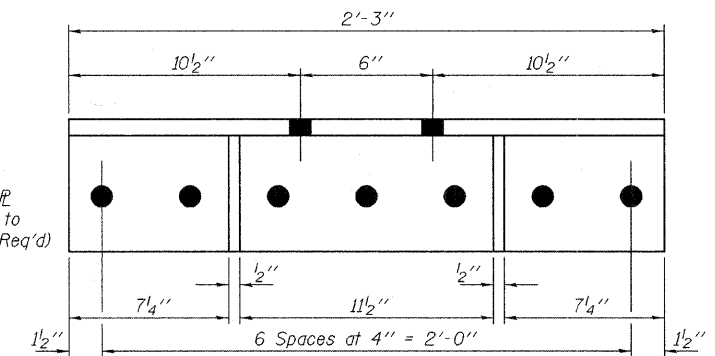


SECTION D-D
1" holes for epoxy grouted
3/4" H.S. threaded rods
(ASTM A193, B7 or equivalent)

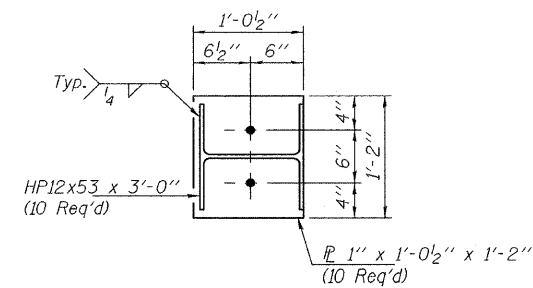
SECTION D-D



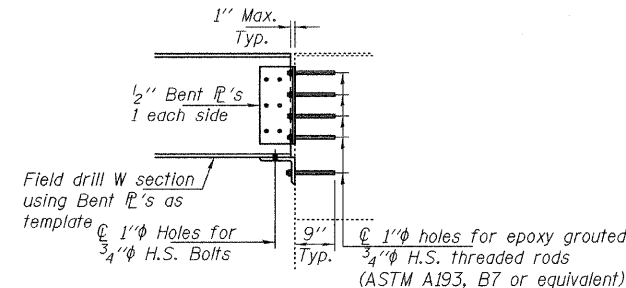
TYPICAL SECTION
THRU ANGLE A



ANGLE A
L 8 x 6 x 3/4 x 2'-3"
(4 Required)



SECTION F-F



SECTION E-E

DESIGNED	VHV
CHECKED	DAB
DRAWN	baliva
CHECKED	VHV DAB

FEBRUARY 16, 2010
EXAMINED *Carl Provey*
ENGINEER OF STRUCTURAL SERVICES
PASSED *Ralph E. Anderson*
ENGINEER OF BRIDGES AND STRUCTURES

REPAIR DETAILS
IL 172 OVER COUNTY DITCH NO 1
SN 098-0044

SHEET NO. 2	F.A.S. RTE.	SECTION	COUNTY	TOTAL SHEETS	SHEET NO.
2 SHEETS	200	(102BR-1)M-2 & (141BR)M	WHITESIDE	7	7
			CONTRACT NO. 64G10		
FED. ROAD DIST. NO.		ILLINOIS FED. AID PROJECT			