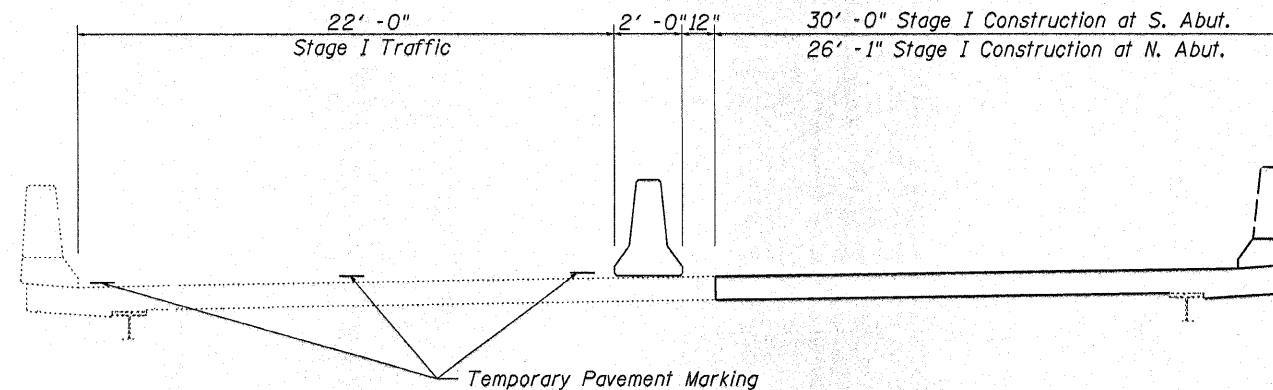
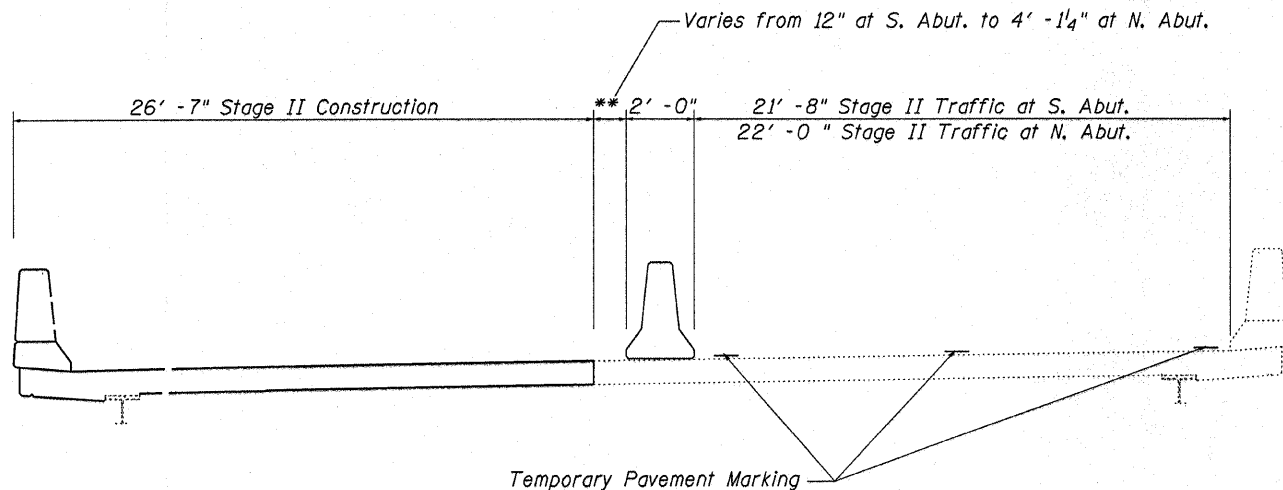


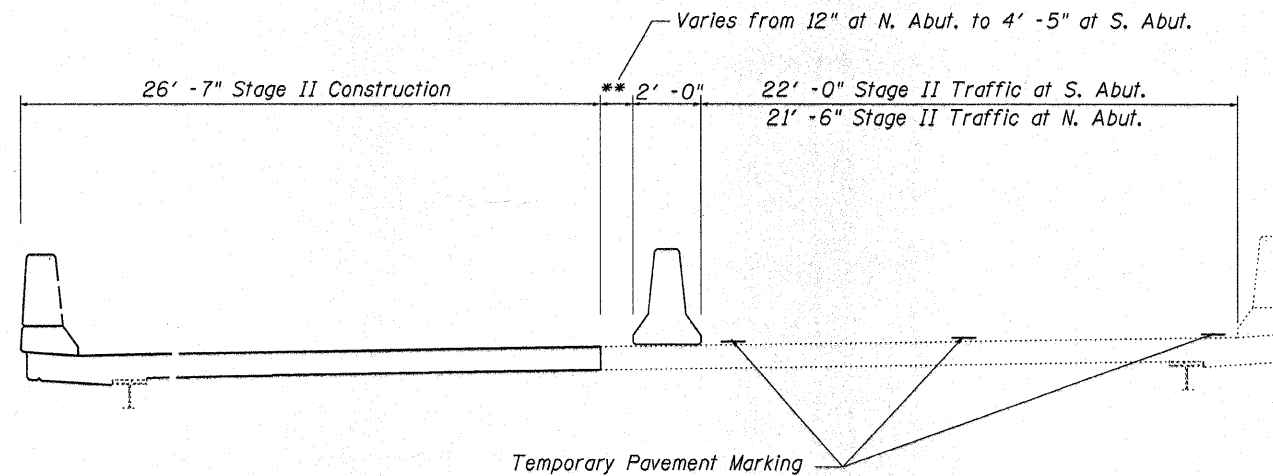
I-39 Southbound Lanes  
Structure No. 101-0072  
Looking South  
Stage I



I-39 Northbound Lanes  
Structure No. 101-0071  
Looking North  
Stage I



I-39 Southbound Lanes  
Structure No. 101-0072  
Looking South  
Stage II



I-39 Northbound Lanes  
Structure No. 101-0071  
Looking North  
Stage II

FILE NAME =	USER NAME = lnrkdj	DESIGNED -	REVISED -
G:\BRYCADD\plans\Winnebago County\64G12	US 20 Joints\PLANeng.dgn	DRAWN -	REVISED -
	PLOT SCALE = 50,0000' / IN.	CHECKED -	REVISED -
	PLOT DATE = Mon Feb 08 13:07:11 2010	DATE -	REVISED -

STATE OF ILLINOIS  
DEPARTMENT OF TRANSPORTATION

Staging Cross Sections  
Structures 101-0071 & 0072

SCALE: \_\_\_\_\_ SHEET NO. \_\_\_\_ OF \_\_\_\_ SHEETS STA. \_\_\_\_\_ TO STA. \_\_\_\_\_

F.A.I. RTE.	SECTION	COUNTY	TOTAL SHEETS	SHEET NO.
39	(4VBY, 4VBY-1, 5HBIM)	Winnebago	36	14
CONTRACT NO. 64G12			ILLINOIS FED. AID PROJECT	