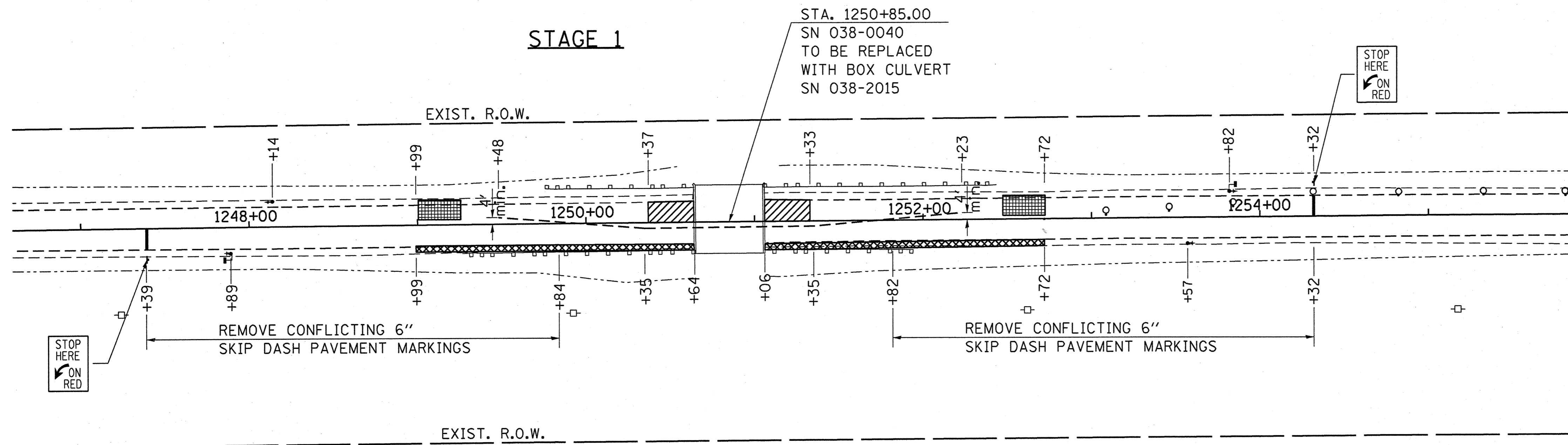
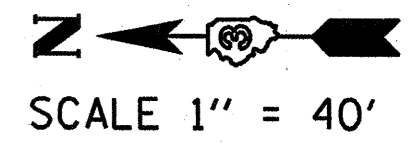


F.A.S. RTE.	SECTION	COUNTY	TOTAL SHEETS	SHEET NO.
317	36 BR	IROQUOIS	21	7
STA. 1248+00		TO STA. 1254+50		
FED. ROAD DIST. NO.		ILLINOIS FED. AID PROJECT		

**CONTRACT NO. 66171**



**LEGEND**

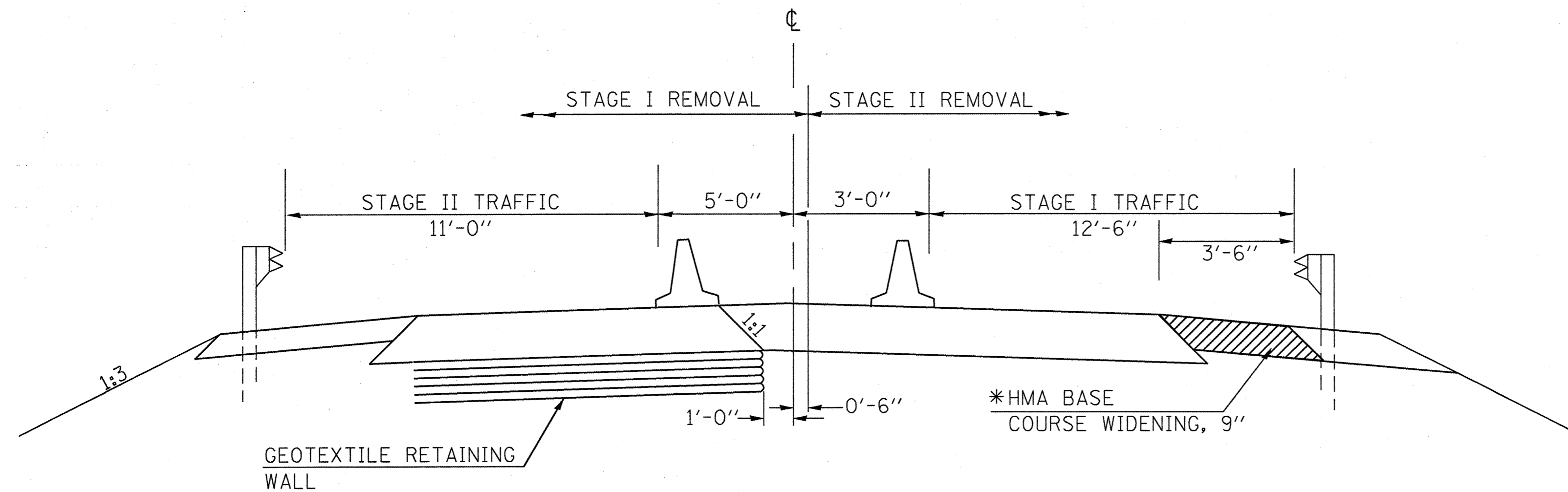
- PAVEMENT REMOVAL
- HMA BASE COURSE WIDENING, 9"
- TEMPORARY TRAFFIC SIGNAL WITH BACKPLATE
- TEMPORARY TRAFFIC SIGNAL WITH BACKPLATE & MICROWAVE DETECTOR
- SAND MODULE IMPACT ATTENUATORS
- DRUM WITH STEADY BURNING LIGHT
- TEMPORARY CONCRETE BARRIER

**STAGE CONSTRUCTION SEQUENCE**

- ① ERECT TRAFFIC CONTROL & PROTECTION, STANDARD 701321, EARTH EXCAVATION AND HMA BASE COURSE WIDENING, 9" RT. STA. 1248+99 TO STA. 1250+64 RT. STA. 1251+06 TO STA. 1252+72
- ② STAGE I CONSTRUCTION, EAST SIDE GUARDRAIL AND PAVEMENT REMOVAL, PAVEMENT REPLACEMENT, EARTH EXCAVATION, HMA SHOULDERS, ERECT STEEL PLATE BEAM GUARDRAIL.
- ③ STAGE II CONSTRUCTION, RELOCATE TEMPORARY CONCRETE BARRIER, WEST SIDE GUARDRAIL AND PAVEMENT REMOVAL, PAVEMENT REPLACEMENT, EARTH EXCAVATION, HMA SHOULDERS, ERECT STEEL PLATE BEAM GUARDRAIL.

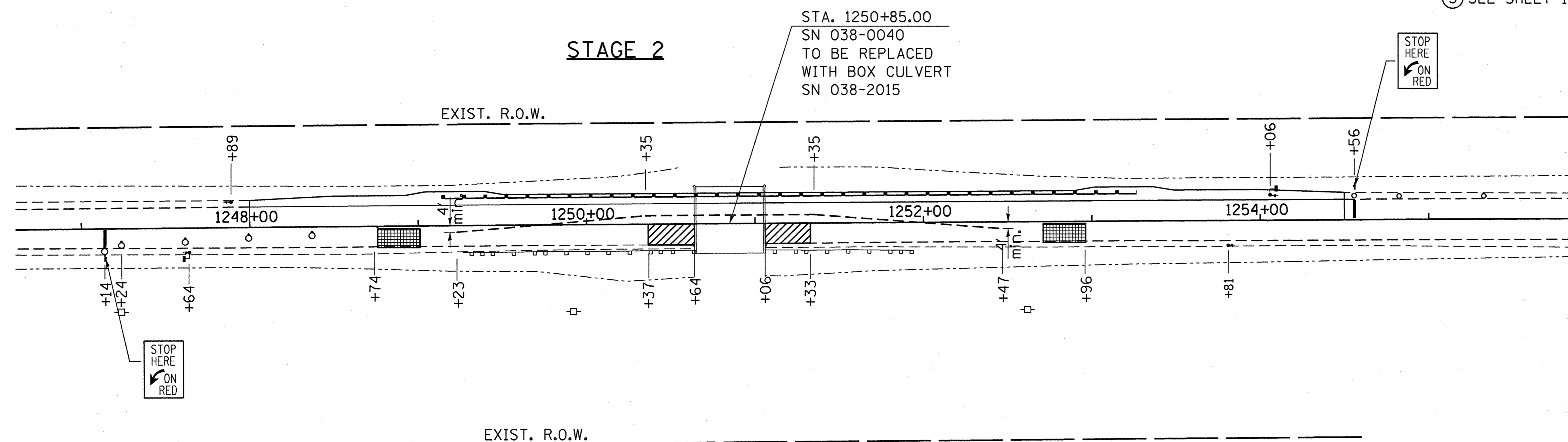
**STAGE CONSTRUCTION NOTES**

- ① THIS SHEET IS FOR THE LOCATION OF STAGE CONSTRUCTION, TEMPORARY CONCRETE BARRIER, SIGNALS AND STOP BARS. THIS SHEET SHALL BE USED IN CONJUNCTION WITH STANDARD 701321.
- ② SEE DETAIL 702.5 ON SHEET 5 OF 21 FOR WIDTH RESTRICTION SIGNING.
- ③ SEE SHEET 10 OF 21 FOR ADDITIONAL DETAILS.



**STAGE CONSTRUCTION TYPICAL SECTION**

TO BE REMOVED IN STAGE 2 CONSTRUCTION



REVISIONS	
NAME	DATE

ILLINOIS DEPARTMENT OF TRANSPORTATION  
**STAGE CONSTRUCTION**

SCALE: VERT. 1"=40'  
HORIZ. DATE

DRAWN BY  
CHECKED BY