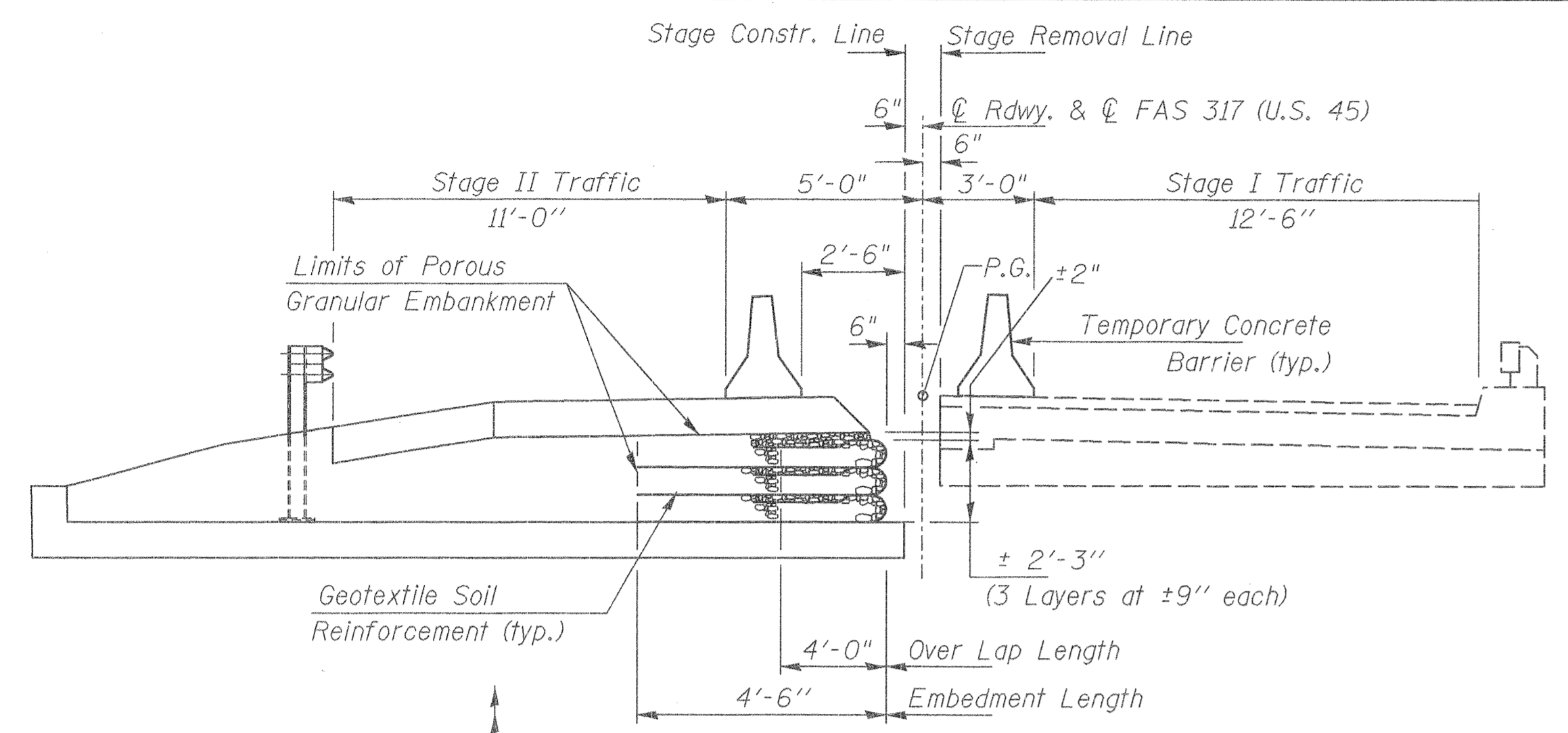
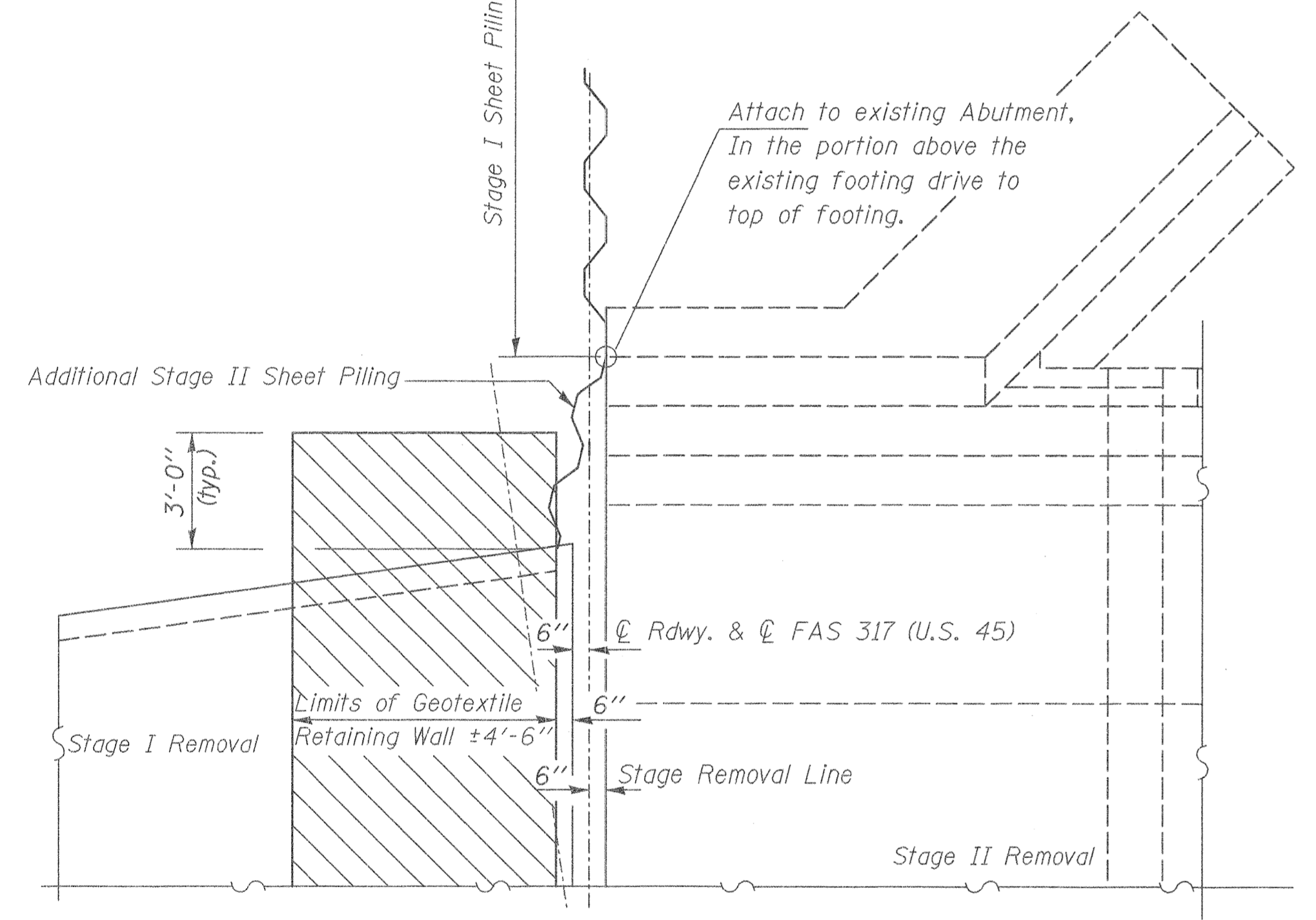


ROUTE NO.	SECTION	COUNTY	TOTAL SHEETS	SHEET NO.	SHEET NO. 4 10 SHEETS
F.A.S. 317	36-BR	IROQUOIS	21	12	
FED. ROAD DIST. NO. 7	ILLINOIS	FED. AID PROJECT			

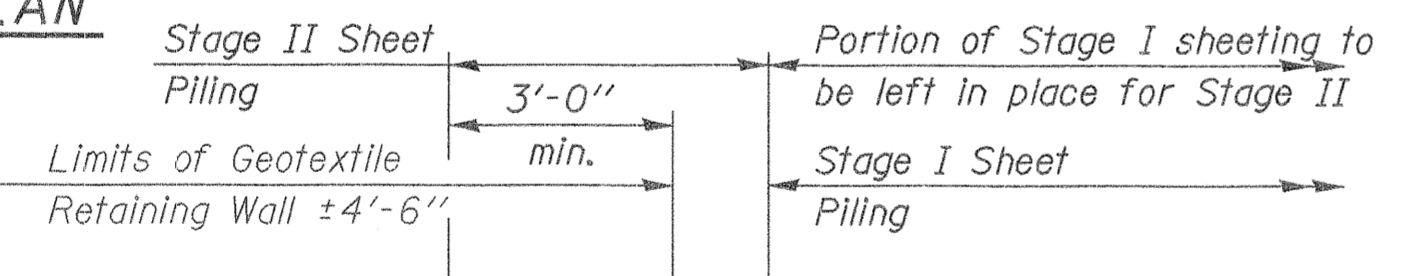
CONTRACT NO. 66171



TYPICAL SECTION



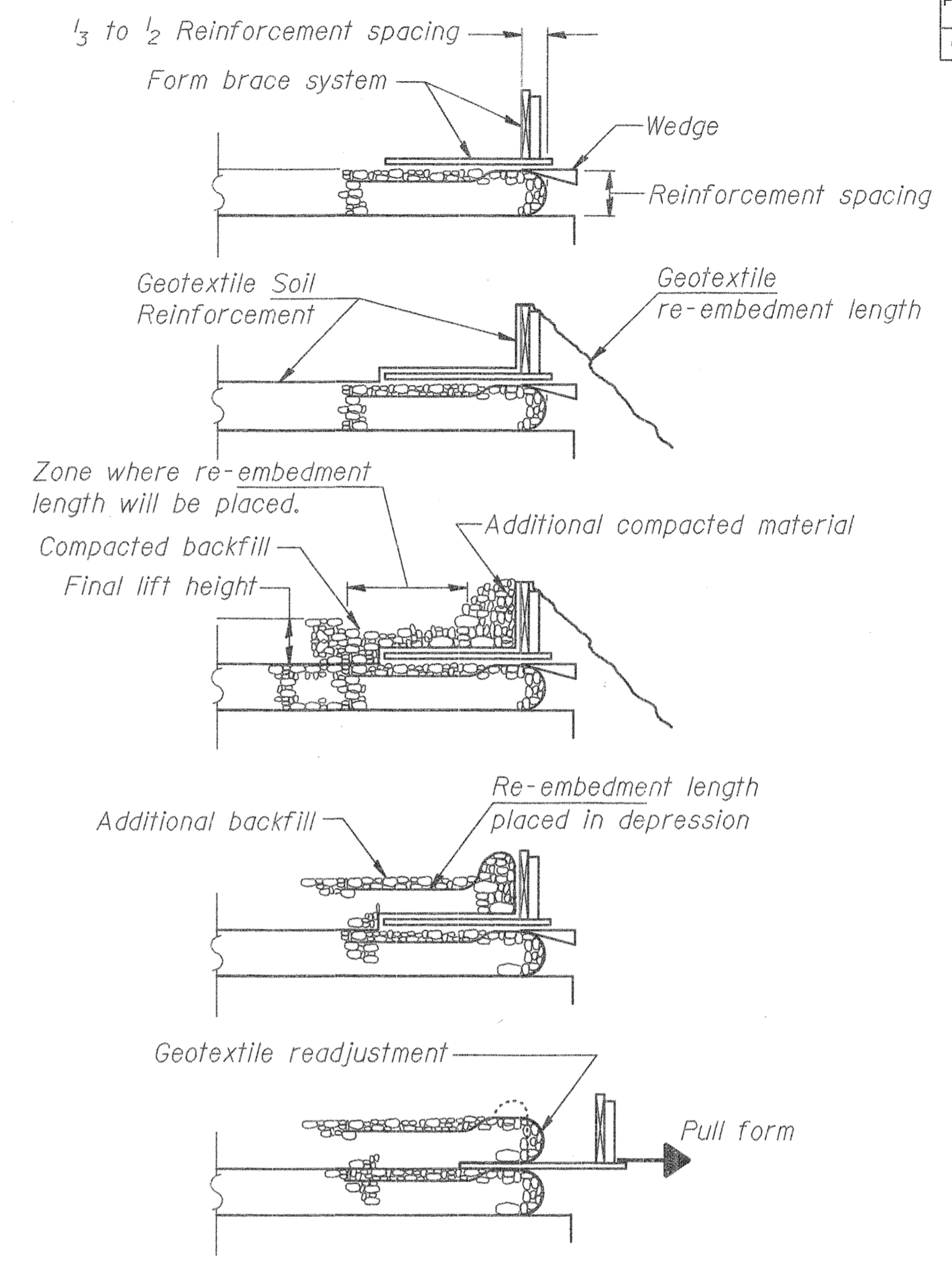
PLAN



ELEVATION

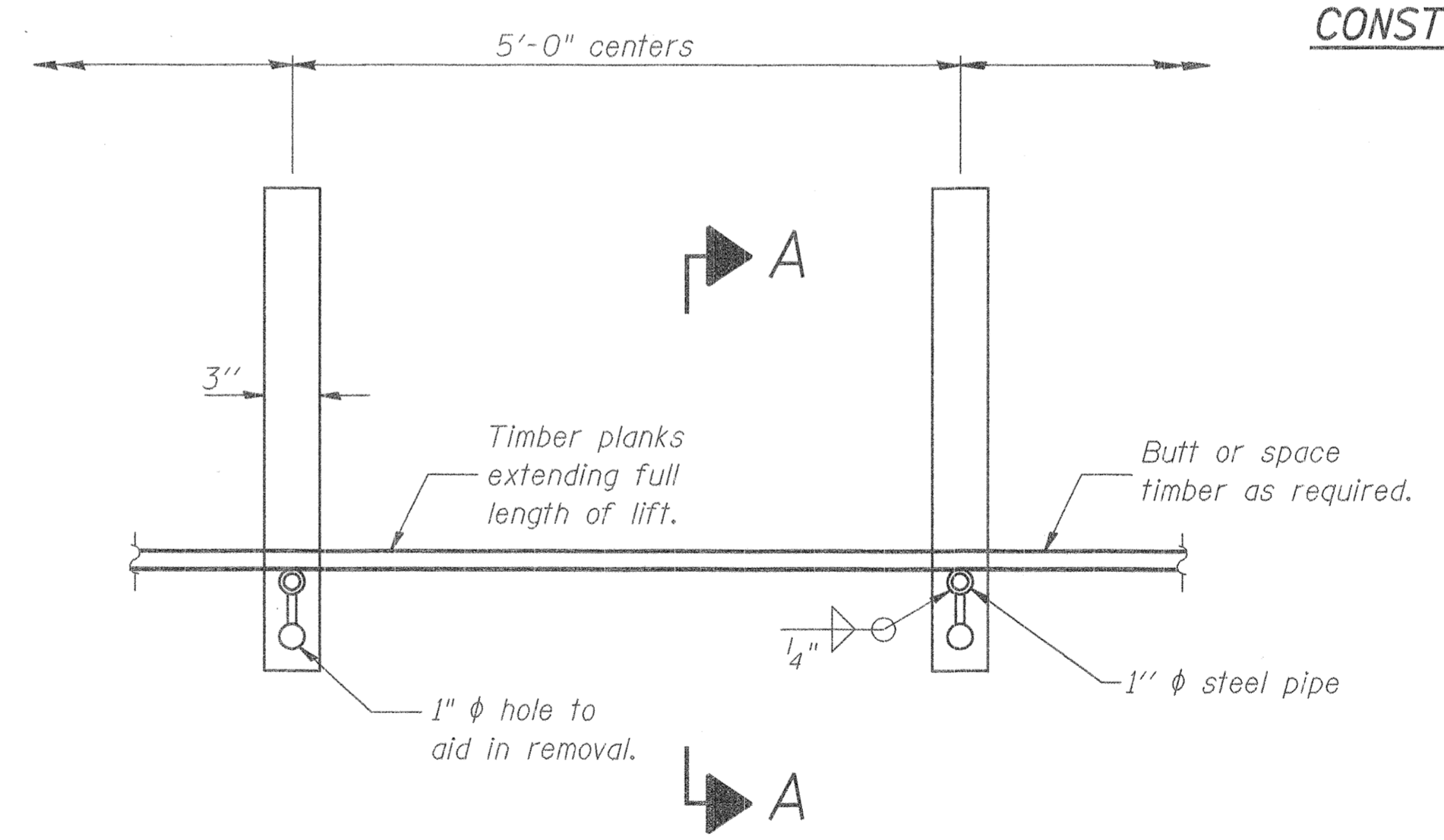
DESIGNED	M.E.B.
CHECKED	R.K.M.
DRAWN	P.W.S.
CHECKED	M.E.B.

Note:
The Geotextile Soil reinforcement shall have a minimum allowable tensile strength (T min.) of 80 lb./in. The computations supporting the determination of T min. shall be submitted to the engineer for approval.



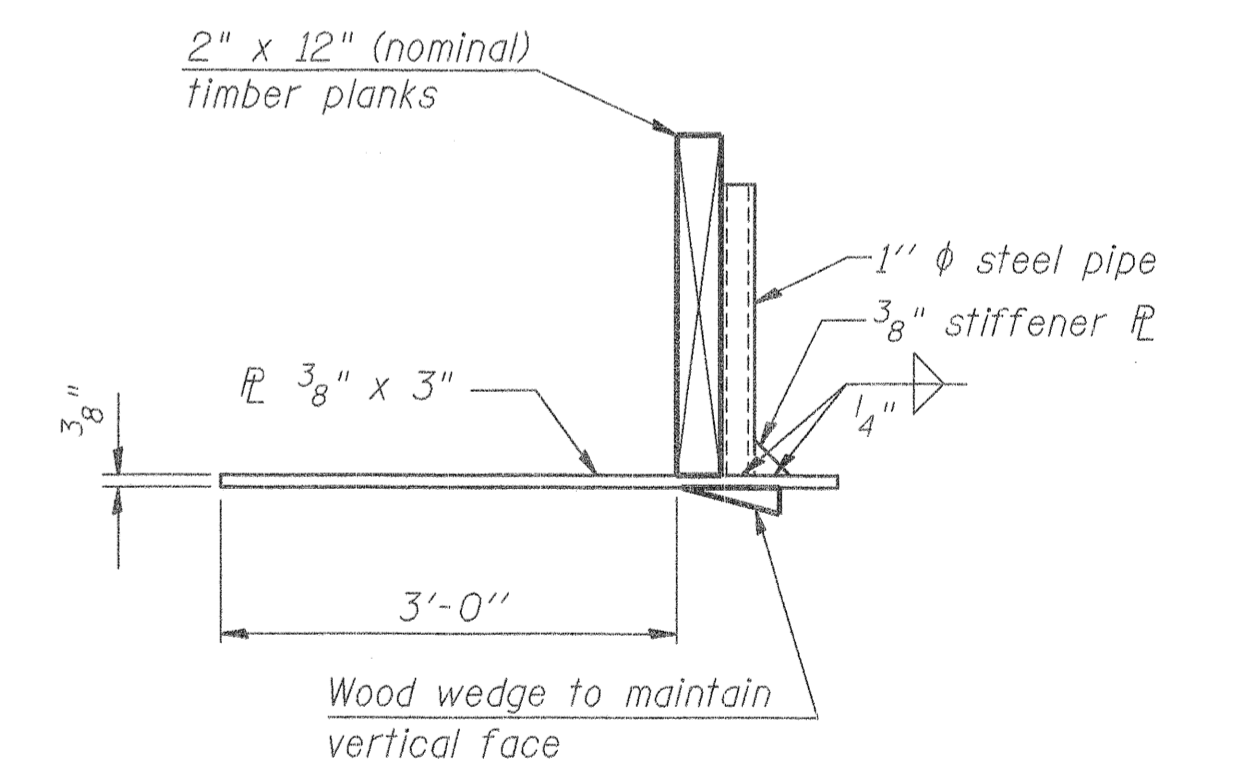
1. Place form brace system on completed reinforcement level; back from the finished fabric face a distance of $\frac{1}{3}$ to $\frac{1}{2}$ the geotextile reinforcement spacing.
2. Position fabric so that the required geotextile re-embedment length extends over the top of the form brace and the design reinforcement width is placed with no slack against the previous level.
3. Compact backfill material in lifts to final lift height, create ($\pm 3''$) depression in zone where re-embedment length will be located and place additional height of compacted material against form brace.
4. Fold Geotextile re-embedment length back over form brace into zone where depression was made in backfill and place additional compacted backfill, ($\pm 3''$) to embed geotextile and bring to final lift height.
5. Pull form brace outward allowing geotextile face to slightly readjust to form tight round face and level with plan reinforcement spacing.

GEOTEXTILE WALL CONSTRUCTION PROCEDURE



GEOTEXTILE TEMPORARY FORM BRACE DETAIL

Note:
The temporary form brace detail is provided as a guide. The contractor is responsible for the design and performance of the form system used.



SECTION A-A

GEOTEXTILE WALL CONSTRUCTION
F.A.S. 317 (U.S. RTE 45) OVER
TRIBUTARY TO SPRING CREEK
SECTION 36-BR
IROQUOIS COUNTY
STATION 1250+85.00
STRUCTURE NO. 038-2015

98-767038-2015/4geotextile.dgn