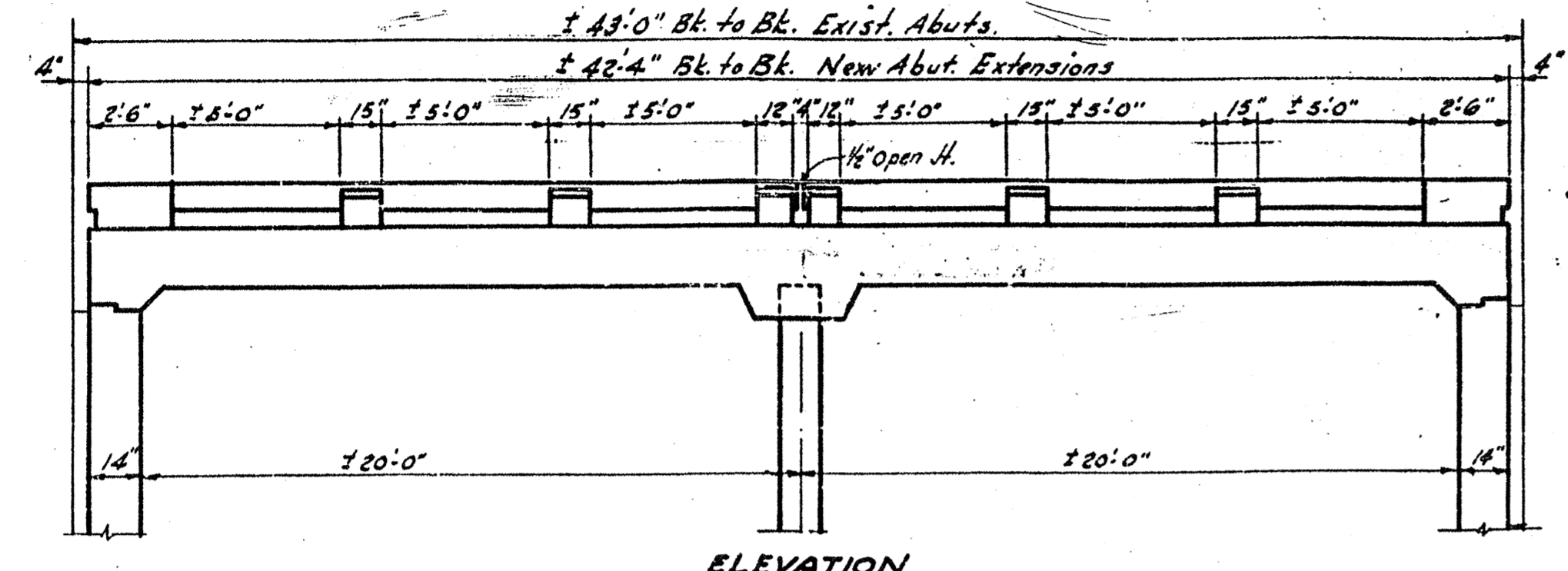


FOR INFORMATION ONLY

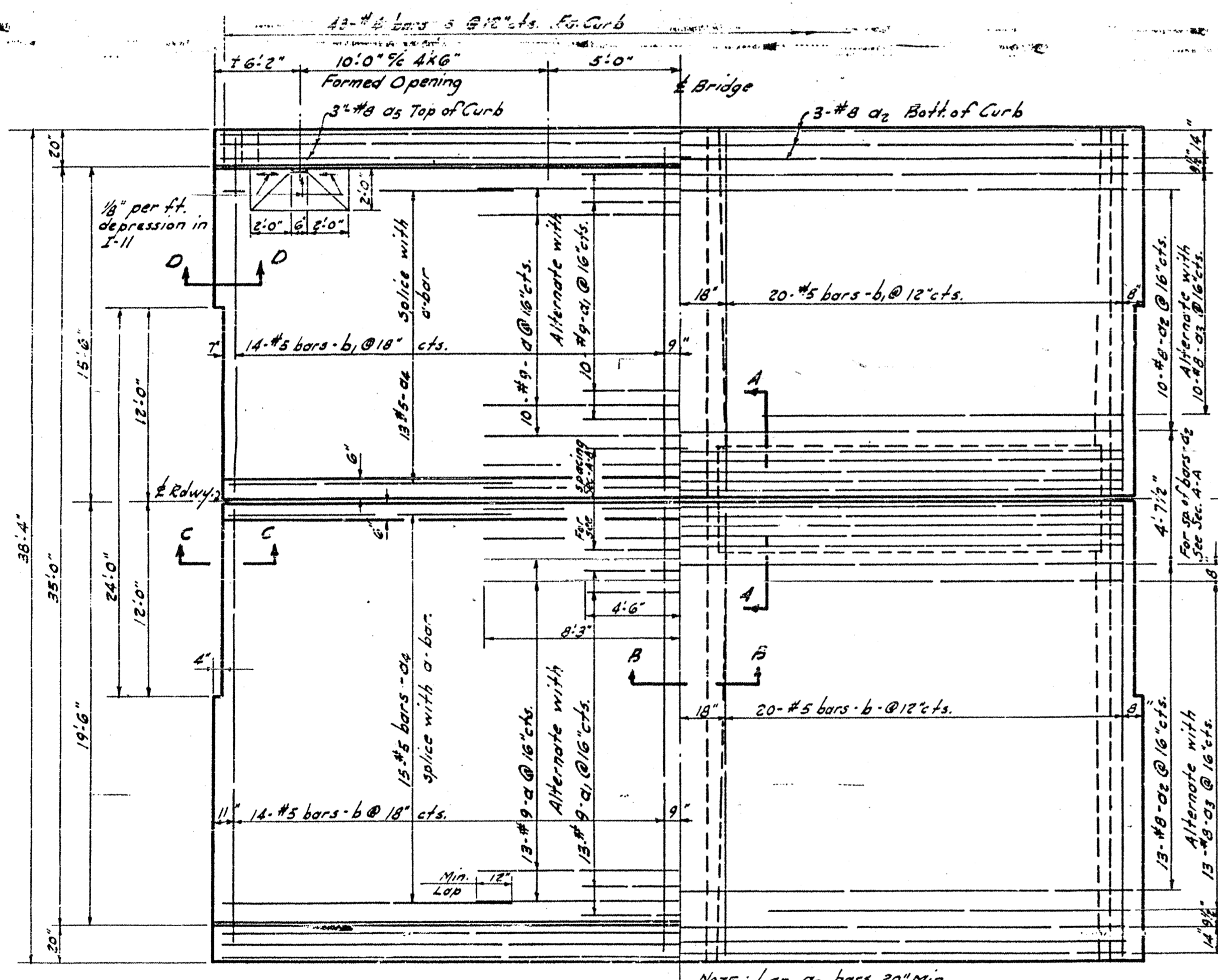
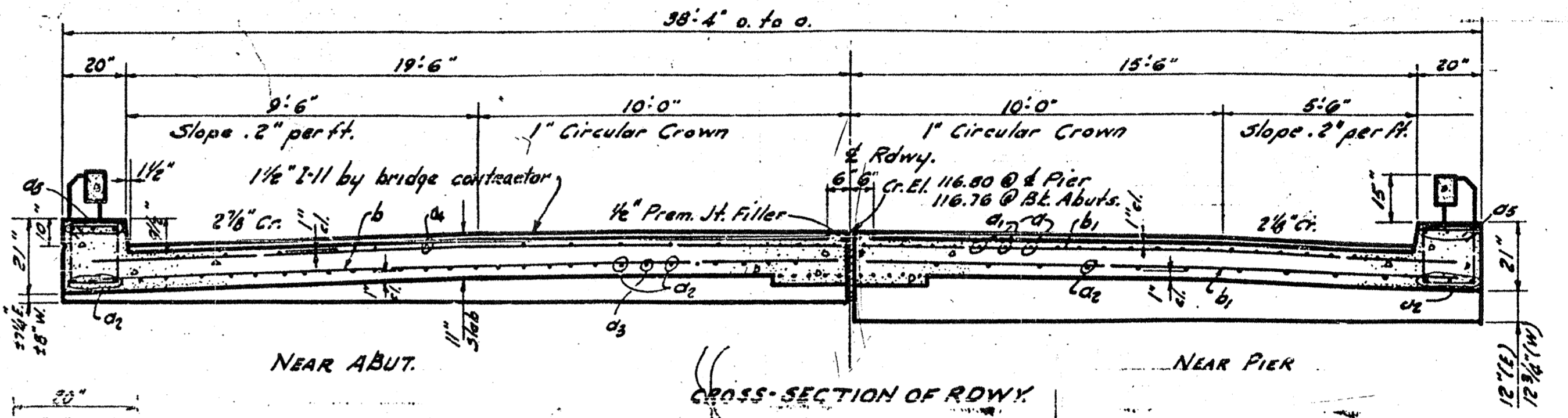
F.A.S. RTE.	SECTION	COUNTY	TOTAL SHEETS	SHEET NO.
317	36 BR	IROQUOIS	21	21C
STA. 1248+00		TO STA. 1254+50		
FED. ROAD DIST. NO. 3		ILLINOIS FED. AID PROJECT		
CONTRACT NO. 66171				

STATE OF ILLINOIS
DEPARTMENT OF PUBLIC WORKS & BUILDINGS
DIVISION OF HIGHWAYS

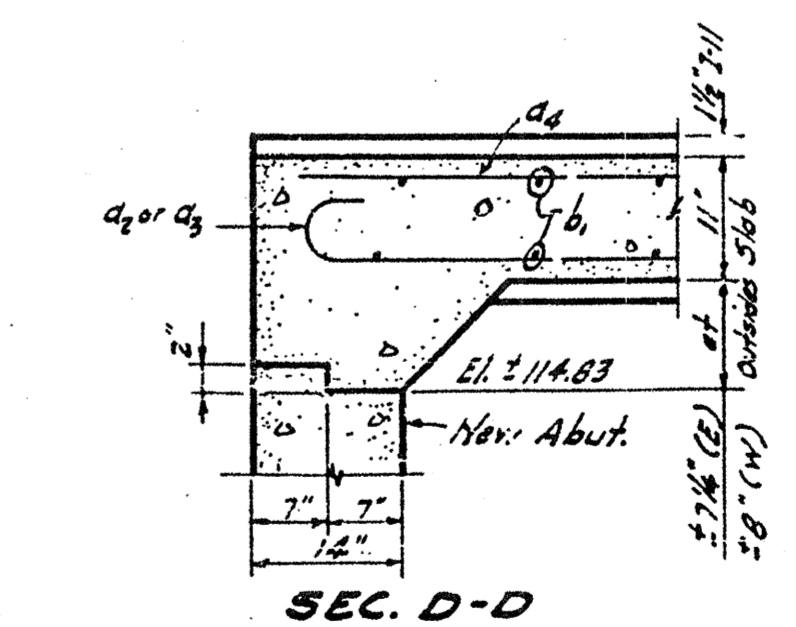
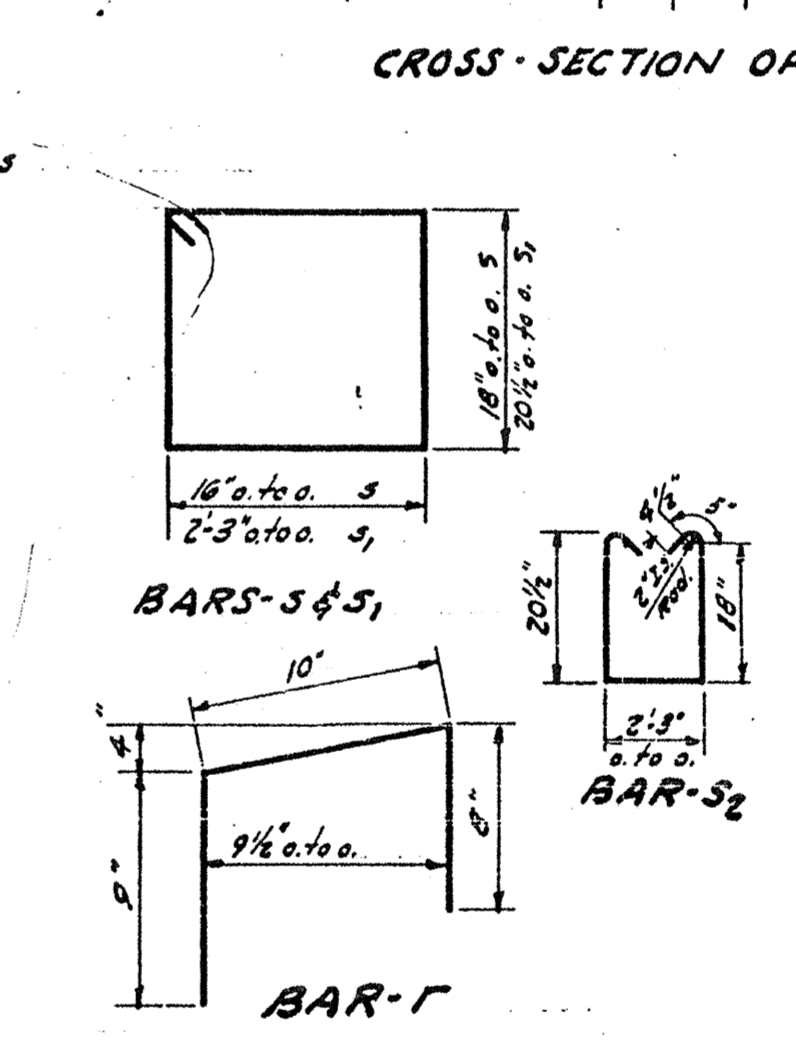
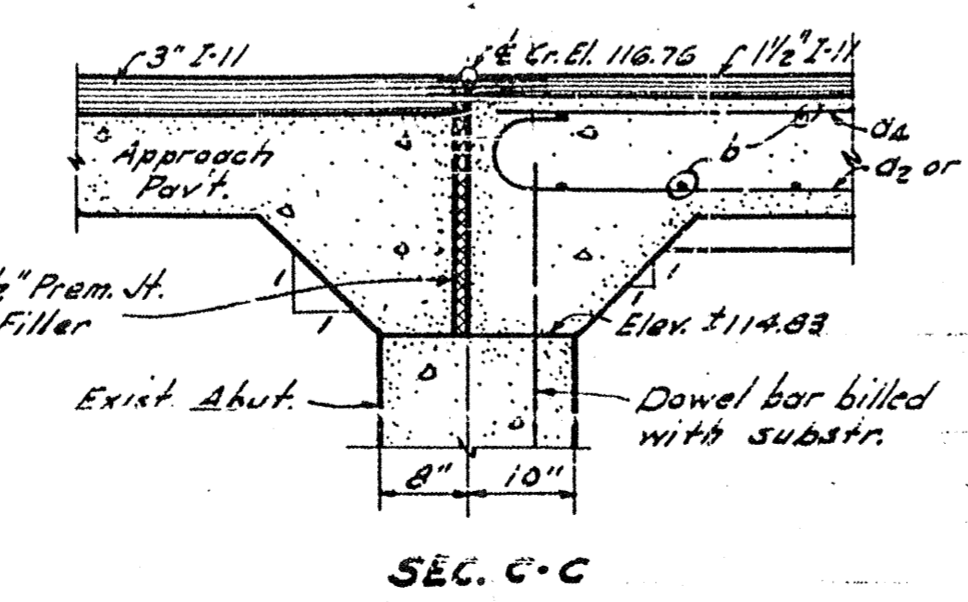
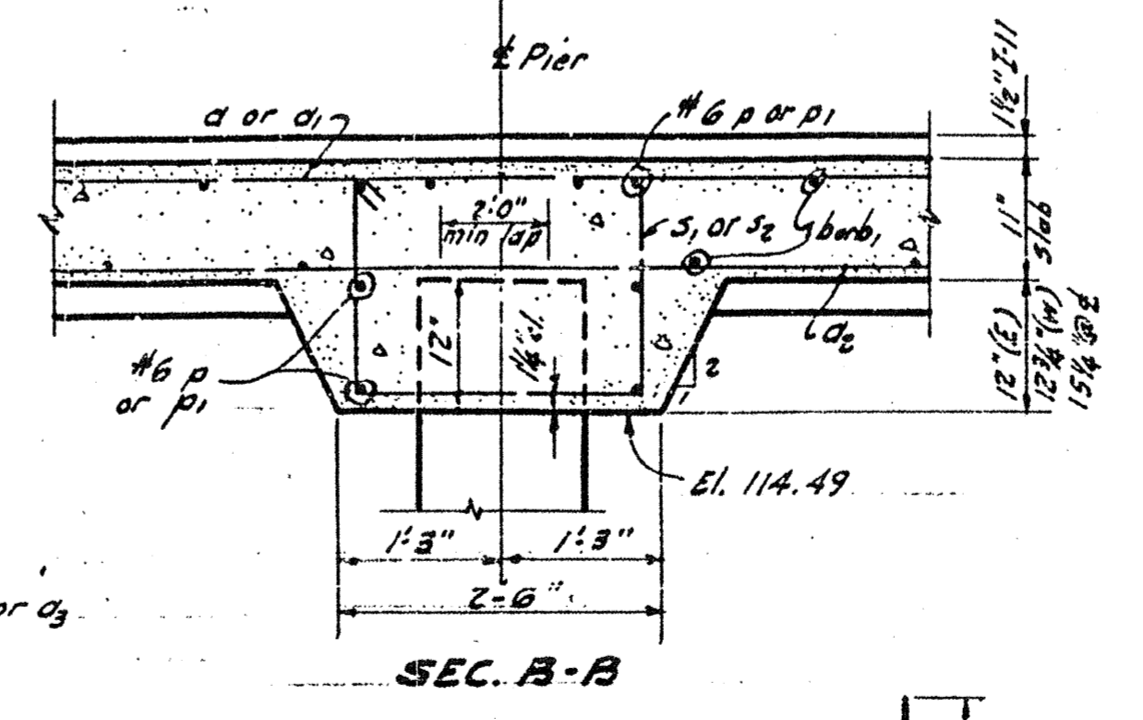
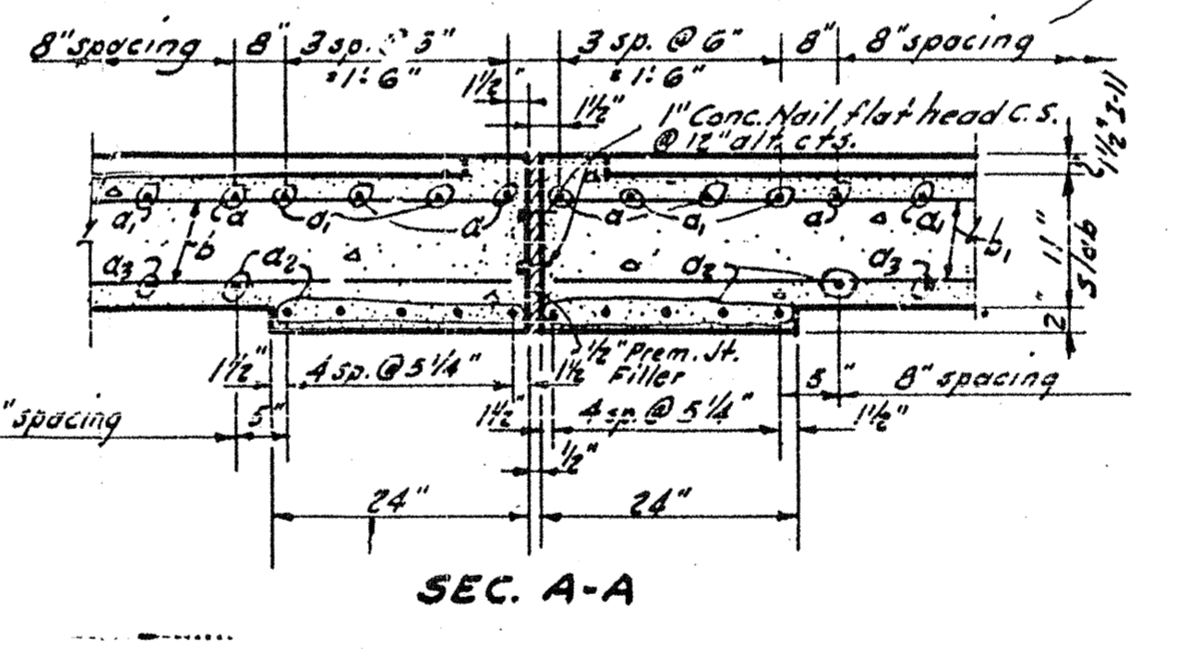
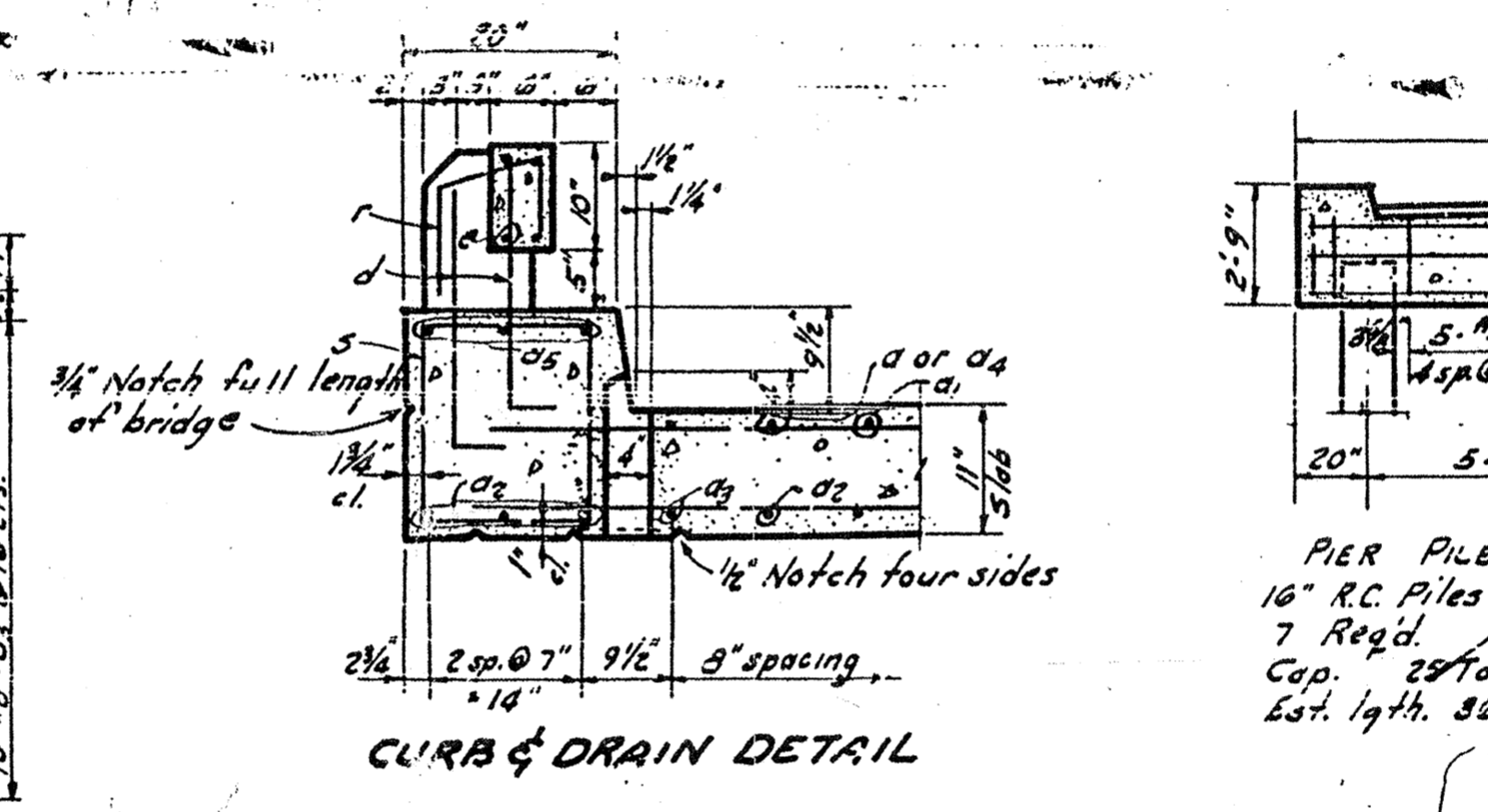
ROUTE NO.	SECTION	COUNTY	TOTAL SHEETS	SHEET NO.
U.S. 125	36BY	Iroquois	21	16
CONTRACT NO. 66171				



For details of handrail see STD. 2070 R Type 3-C



NOTE: Lap a₂ bars 20" Min.



BILL OF MATERIAL - SUPER

Bar No.	Size	Length	Shape
a	#9	16'-6"	—
a ₁	#9	9'-0"	—
a ₂	#8	23'-3"	—
a ₃	#8	19'-3"	—
a ₄	#5	13'-9"	—
a ₅	#8	22'-0"	—
b	#5	20'-3"	—
b ₁	#5	16'-3"	—
e	#5	20'-0"	—
d	#5	3'-0"	—
f	#4	2'-3"	—
s	#4	6'-9"	□
s ₁	#4	9'-0"	—
s ₂	#4	6'-9"	□
p	#6	20'-6"	—
p ₁	#6	16'-6"	—

Cl. X Concrete	Cu. Yds. 67.8
Handrail Concrete	Cu. Yds. 1.9
Reinforcement Bars	Lbs. 15,140
Name of	Ed. One
Removal of Exist. Super.	Ed. One
Precast Conc. Piles (36")	Lin. Ft. 216
Test Pile	Ed. One

NOTE: All bars shall be round A.S.T.M. A305-49 The size number is the number of one-eighth inches in the nominal diameter.

DESIGNED: Ralph Hueltt
 CHECKED: James J. Hawkey
 DRAWN: Suter
 CHECKED: James J. Hawkey

EXAMINED: W.B. Johnson
 PASSED: [Signature]
 APPROVED: F.M. Barkin

Apr 16 1952

SUPERSTRUCTURE
 PROJ. FI-29(13)
 F.A. RTE 26 (S.B.T.R.T. 25) SEC. 36 B-Y
 IROQUOIS CO.
 STA. 1250+85(1)

