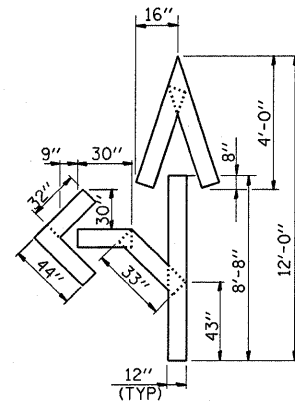
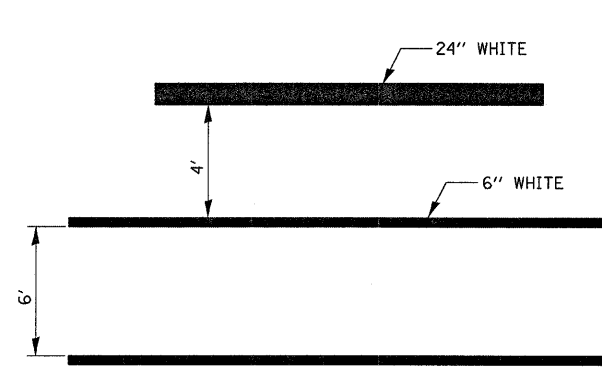


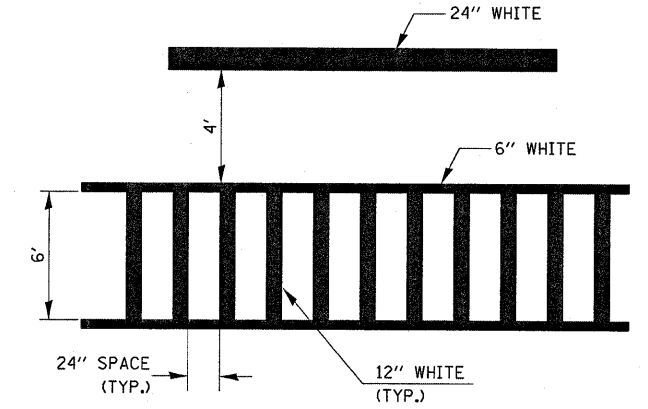
QUANTITY
12" LINE = 16 LIN. FT.
OR 4" LINE = 48 LIN. FT.



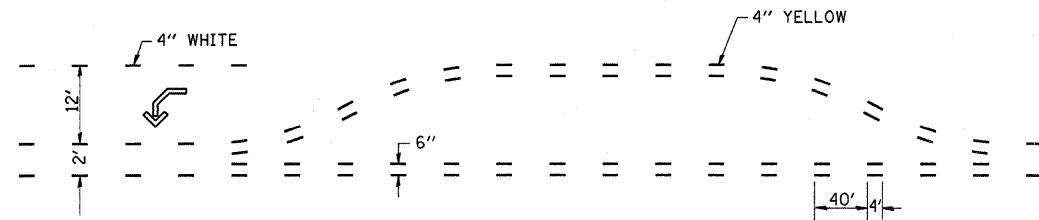
QUANTITY
12" LINE = 29 LIN. FT.
OR 4" LINE = 87 LIN. FT.



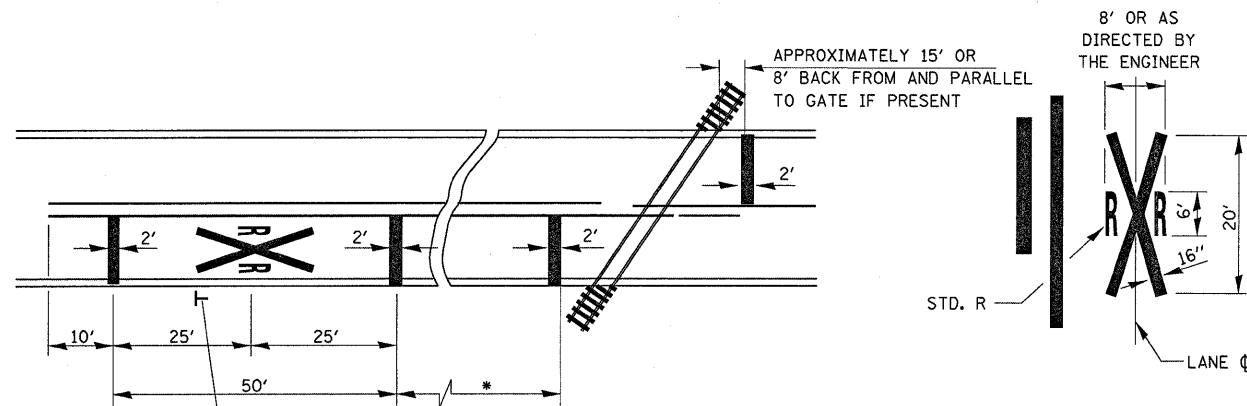
**TYPICAL SPACING DETAIL FOR
CROSSWALKS AND STOP BARS**



**TYPICAL SPACING DETAIL FOR
CROSSWALKS AND STOP BARS**



SHORT-TERM PAVEMENT MARKING FOR MEDIANS AND ARROWS

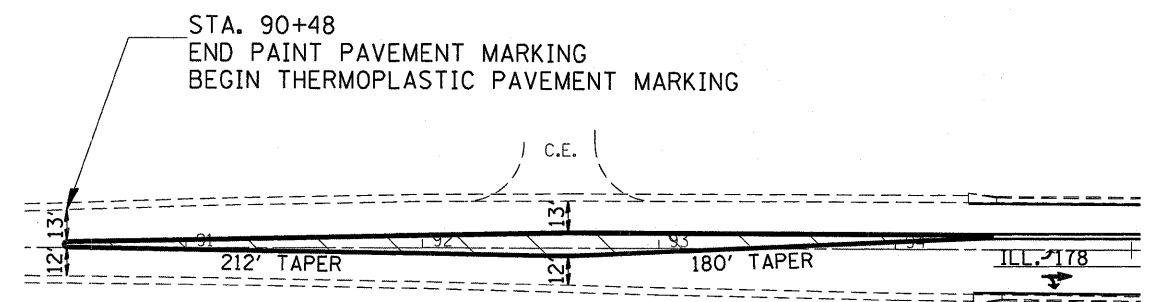


* MINIMUM DISTANCE
400' FOR 55 MPH
250' FOR 45 MPH
100' FOR 35 MPH OR LESS

NOTES:
THE TRANSVERSE SPREAD OF THE "X"
MAY VARY ACCORDING TO LANE WIDTH.

ON MULTI-LANE ROADS, THE STOP LINES
SHALL EXTEND ACROSS ALL APPROACH
LANES AND SEPARATE RXR SYMBOLS SHALL
BE PLACED ADJACENT TO EACH OTHER
IN EACH LANE.

WHEN THE PAVEMENT MARKING SYMBOL
IS USED, A PORTION OF THE SYMBOL
SHOULD BE LOCATED DIRECTLY ADJACENT
TO THE ADVANCE WARNING SIGN (W10-1).



PAVEMENT MARKING DETAIL AT END OF IMPROVEMENT

FILE NAME =	USER NAME = carpenterdj	DESIGNED -	REVISED -	STATE OF ILLINOIS DEPARTMENT OF TRANSPORTATION	PAVEMENT MARKING DETAILS				F.A.S. RTE.	SECTION	COUNTY	TOTAL SHEETS	SHEET NO.
o:\pwork\pwidot\carpenterdj\d0172756	allshs.dgn	DRAWN -	REVISED -						1279	(P10,P6,1)RS-1	LASALLE	19	14
	PLOT SCALE = 50.0000' / IN.	CHECKED -	REVISED -		CONTRACT NO. 66438								
	PLOT DATE = Jan 29, 2010 - 11:29:35 AM	DATE -	REVISED -		ILLINOIS FED. AID PROJECT								
				SCALE:	SHEET NO.	OF	SHEETS	STA.	TO STA.				