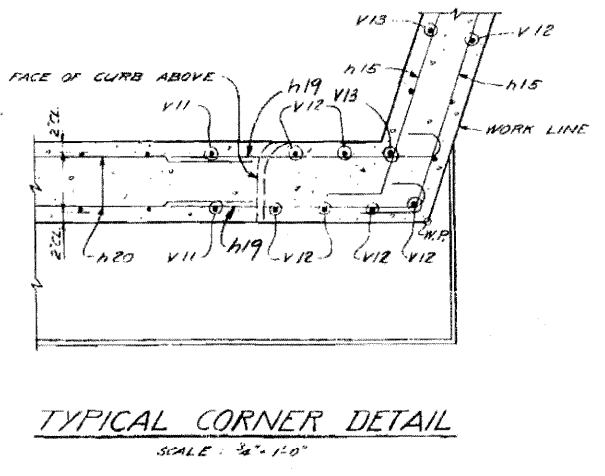
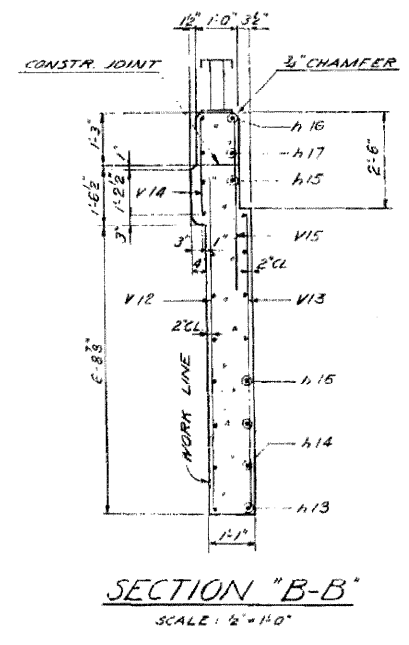
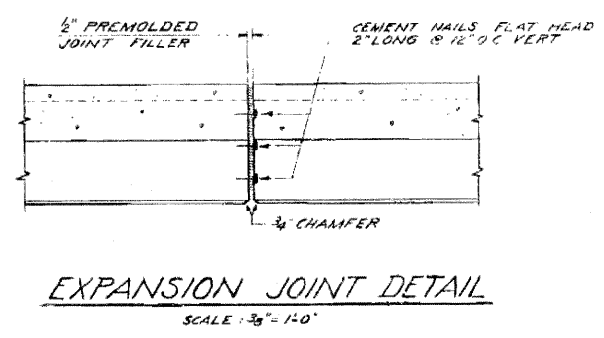
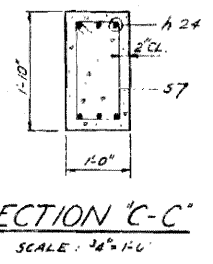
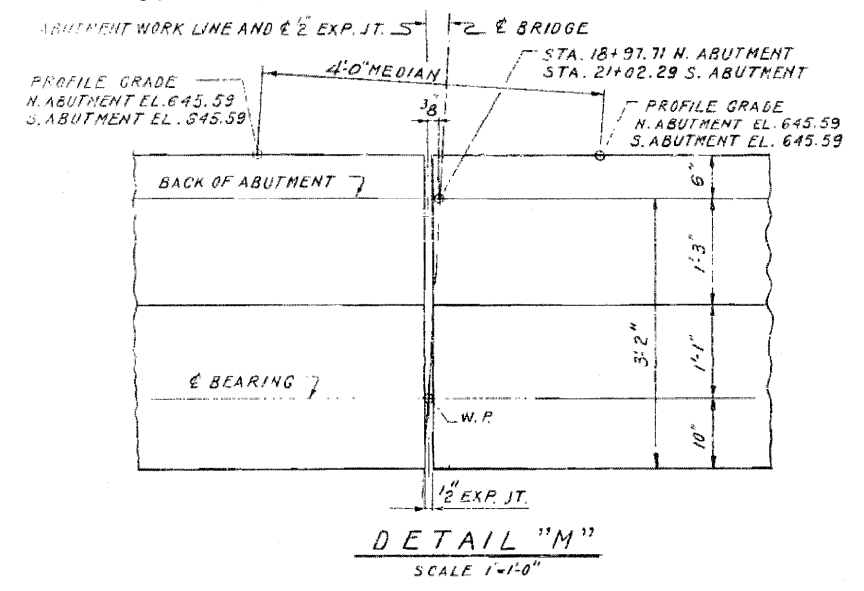


PILE SCHEDULE
30 TONS CONCRETE

LOCATION	No OF PILES	LENGTH EA.
N. ABUTMENT	20	35'
	2	38'
S. ABUTMENT	20	35'
	2	38'

NOTE: * INCLUDES ONE TEST PILE

PILE AND FOOTING PLAN



NOTES:

ADJUST SPACING OF REINFORCEMENT TO AVOID INTERFERENCE WITH DRILLING OF HOLES FOR ANCHOR BOLTS.

PEDESTAL BLOCKS TO BE POURED MONOLITHICALLY WITH CAP BEAM.

BACKWALL ABOVE CONSTRUCTION JOINT TO BE POURED AFTER SUPERSTRUCTURE SLAB IS IN PLACE.

BILL OF MATERIAL FOR ABUTMENTS

WINGWALLS INCLUDED

ITEM	UNIT	QUANTITY	
		N. ABUT.	S. ABUT.
CLASS X CONCRETE	CU YD	78.1	78.1
REINFORCEMENT BARS	POUND	4,760	4,760
CONCRETE FILLS	LIN. FT.	741	776
TEST PILES CONCRETE	EACH	1	—

FOR INFORMATION ONLY

ABUTMENT DETAILS
GRADE SEPARATION
S.A. ROUTE 9 (UTICA ROAD)
OVER FA. ROUTE 80
I.A. PROJECT
FA. ROUTE 80 SECTION 50-2HB 5
LA SALLE COUNTY
STATION 895+86.16