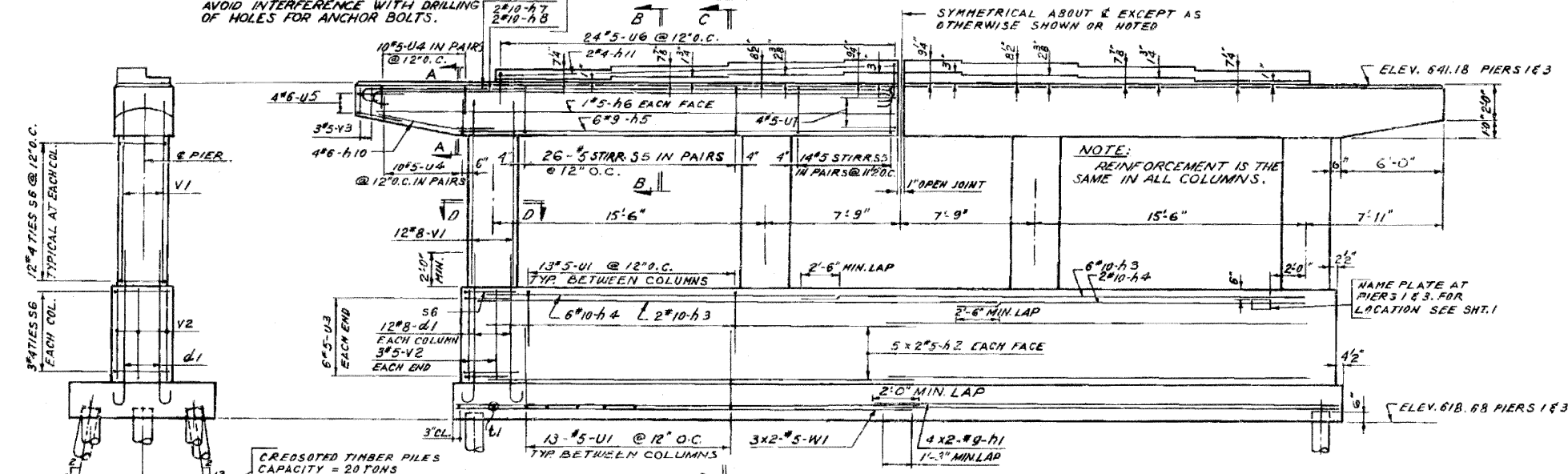
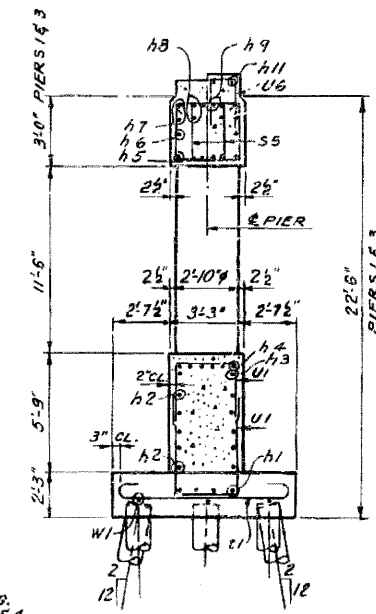


NOTE:
 PEDESTAL STEPS TO BE POURED MONOLITHICALLY WITH TOP BEAM. SPACE REINFORCEMENT TO AVOID INTERFERENCE WITH DRILLING OF HOLES FOR ANCHOR BOLTS.

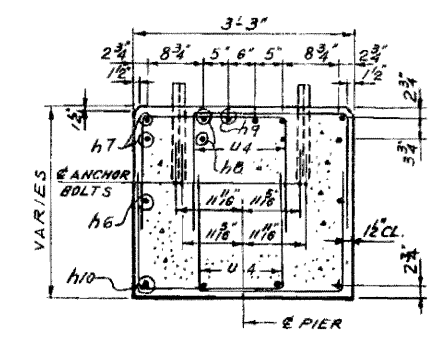
TOP PLAN PIERS 1 OR 3
 SCALE: 4"=1'-0"



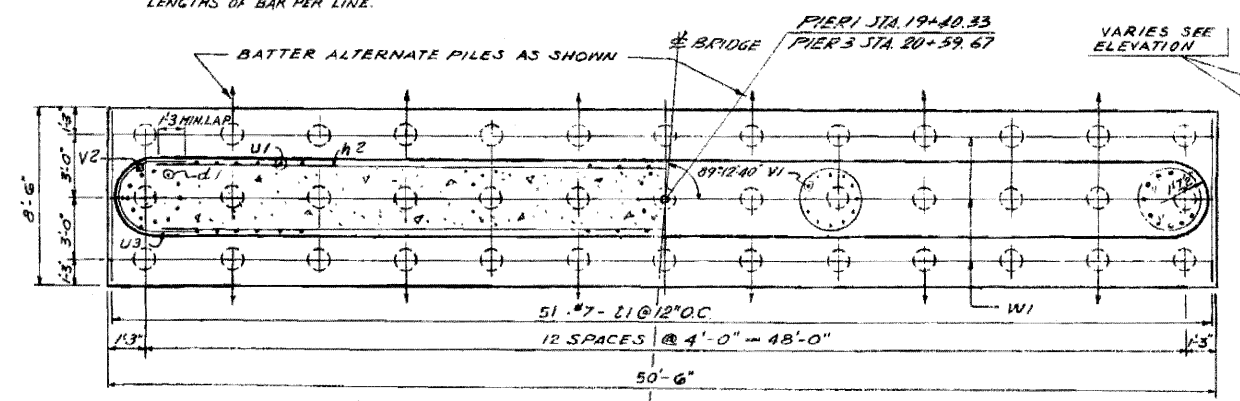
ELEVATION
 SCALE 4"=1'-0"



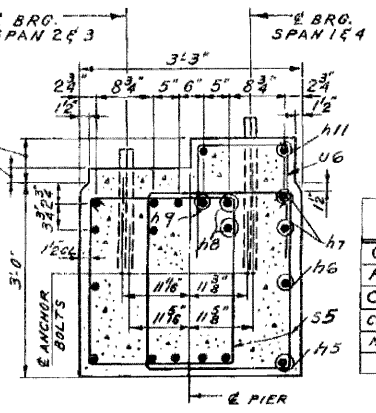
SECTION C-C
 SCALE 4"=1'-0"



SECTION A-A
 SCALE 4"=1'-0"



FOOTING PLAN
 SCALE: 4"=1'-0"



SECTION B-B

FOR INFORMATION ONLY

BILL OF MATERIALS

ITEM	UNIT	QUANTITY	
		PIER 1	PIER 3
CLASS X CONCRETE	CU YD.	103.5	103.5
REINFORCEMENT BARS	POUND	14,310	14,310
CLASS A EXCAVATION FOR STRUCTURES	CU YD.	121	114
CREDOSOTED PILES, UP TO 20 FEET	LIN. FT.	780	780
METAL SHOES	EACH	39	39

PIERS 1 & 3
 GRADE SEPARATION
 S.A. ROUTE 9 (UTICA ROAD)
 OVER F.A.I. ROUTE 80
 F.A. PROJECT
 F.A.I. ROUTE 80 SECTION 50-2HB-5
 LA SALLE COUNTY
 STATION 895+86.16

ALFRED BENESCH & ASSOCIATES CONSULTING ENGINEERS
 10 SOUTH WABASH AVENUE 706 CHICAGO, ILLINOIS

▲ SHEET ADDED 4-6-10