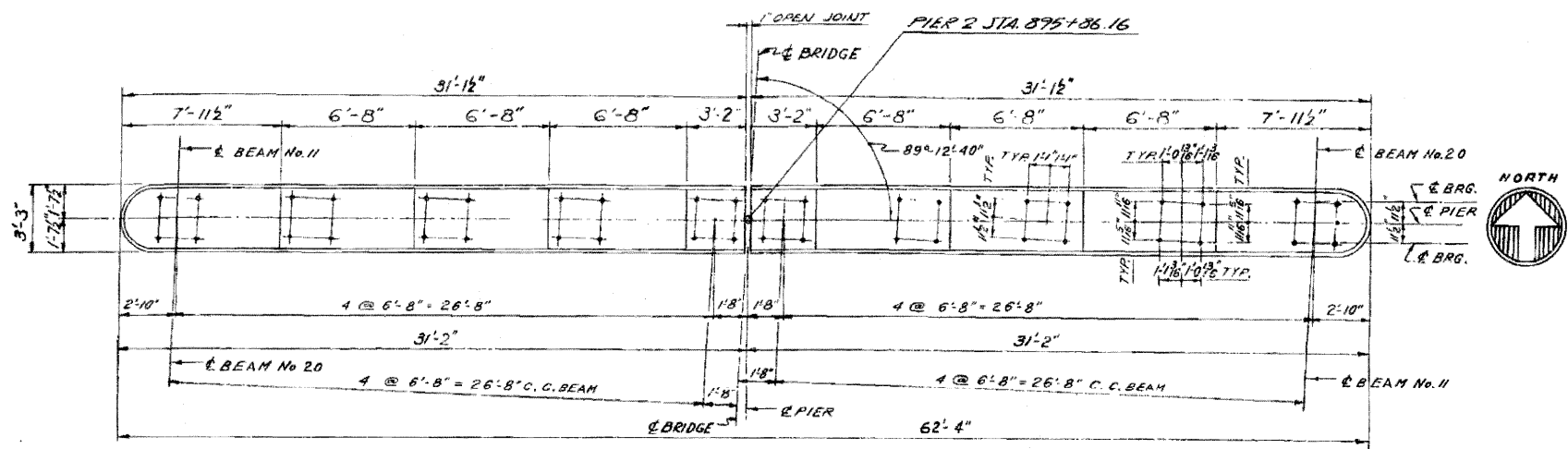
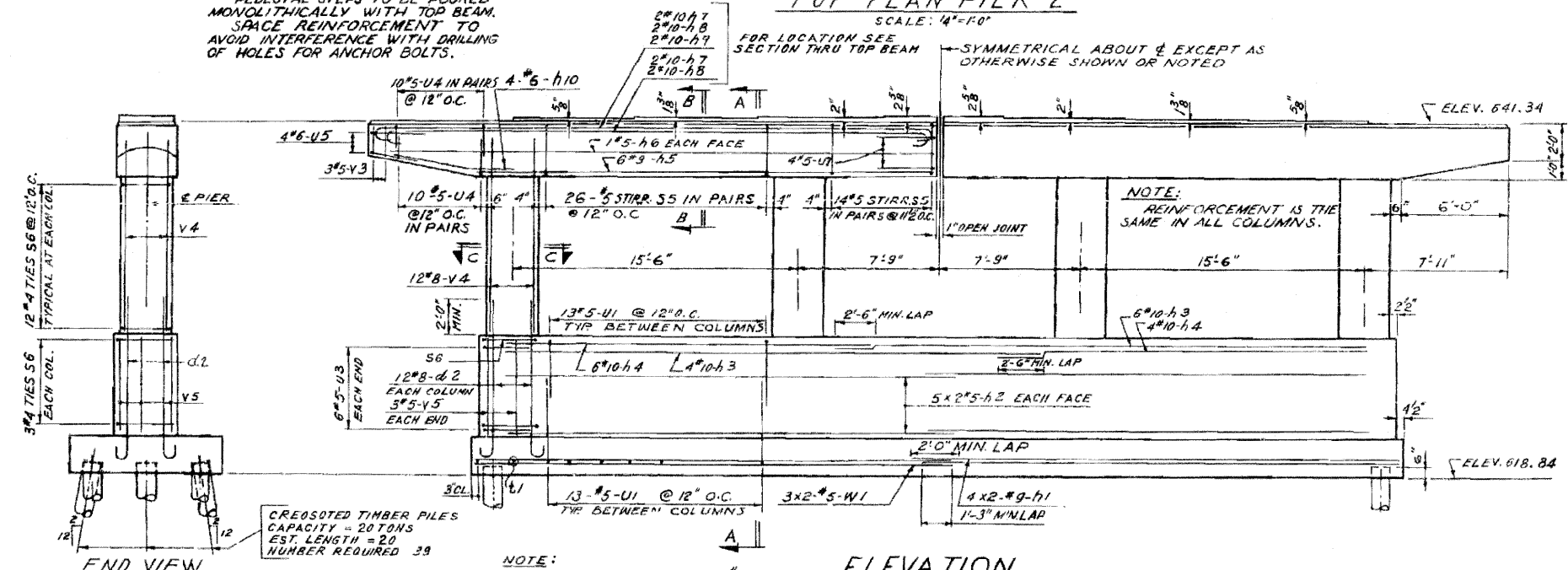


SECTION C-C

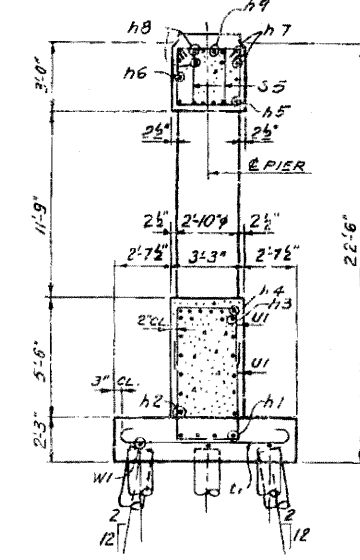


TOP PLAN PIER 2

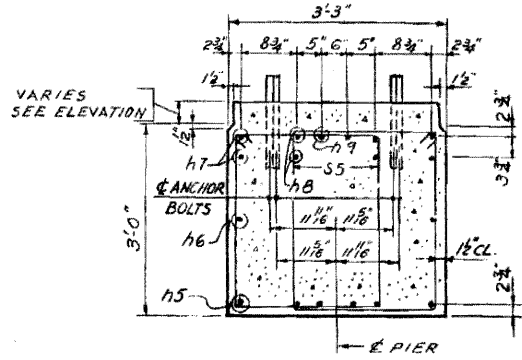
NOTE: PEDESTAL STEPS TO BE POURED MONOLITHICALLY WITH TOP BEAM. SPACE REINFORCEMENT TO AVOID INTERFERENCE WITH DRILLING OF HOLES FOR ANCHOR BOLTS.



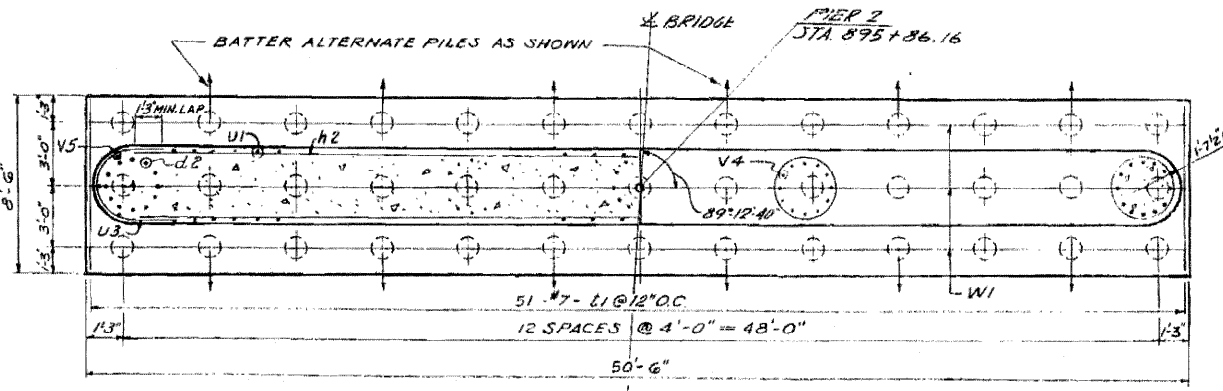
ELEVATION



SECTION A-A



SECTION B-B



FOOTING PLAN

BILL OF MATERIALS

ITEM	UNIT	QUANTITY
CLASS X CONCRETE	CU YD.	100.8
REINFORCEMENT BARS	POUND	14,420
CLASS A EXCAVATION FOR STRUCTURES	CU YD.	116
CREOSOTED PILES, UP TO 20 FEET	LIN. FT.	780
TEST PILES TIMBER	EACH	1
METAL SHOES	EACH	39

FOR INFORMATION ONLY

PIER 2  
 GRADE SEPARATION  
 S.A. ROUTE 9 (UTICA ROAD)  
 OVER P.A. ROUTE 80  
 F.A. PROJECT  
 F.A.L. ROUTE 90 SECTION 50-2HB-5  
 LA SALLE COUNTY  
 STATION 895+86.16

ALFRED BENESCH & ASSOCIATES CONSULTING ENGINEERS  
 10 SOUTH WABASH AVENUE 706 CHICAGO, ILLINOIS

▲ SHEET ADDED 4-6-10