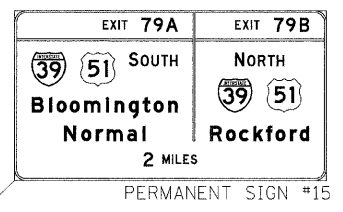
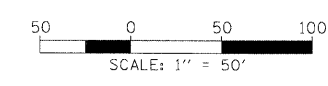
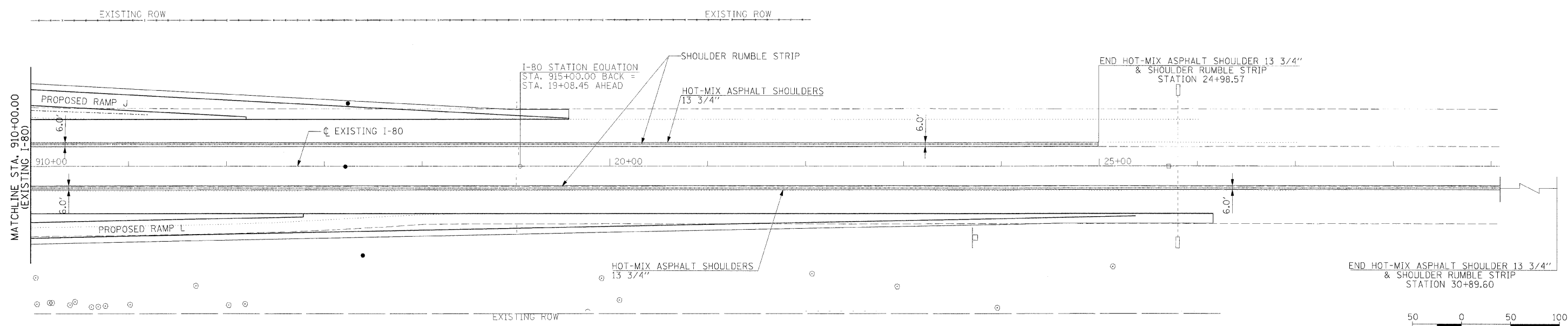
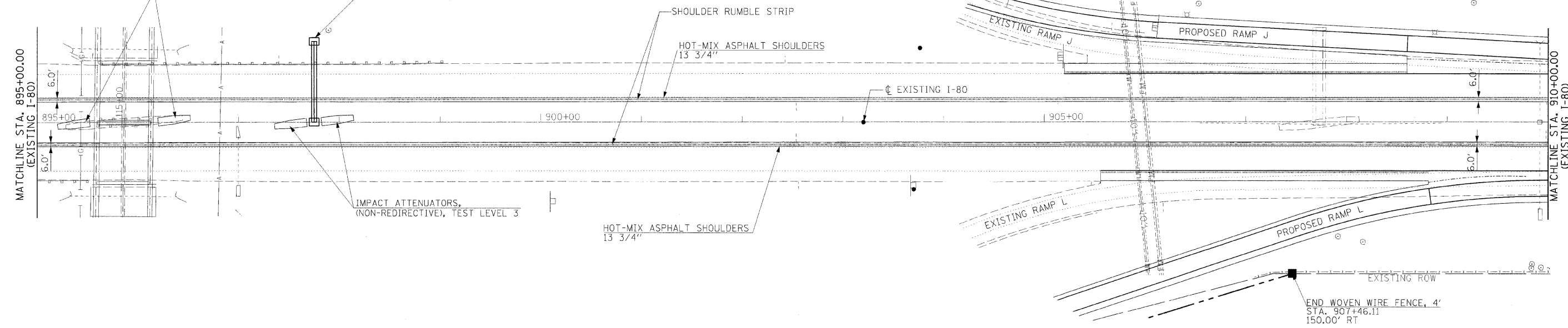


F.A.I. RTE.	SECTION	COUNTY	TOTAL SHEETS	SHEET NO.
80	150-31BK	LASALLE	492	64
STA. 895+00.00		TO STA. 29+00.00		
FED. ROAD DIST. NO.		ILLINOIS		FED. AID PROJECT



IMPACT ATTENUATORS,
(NON-REDIRECTIVE), TEST LEVEL 3



REVISIONS	
NAME	DATE

ILLINOIS DEPARTMENT OF TRANSPORTATION

**PROPOSED I-80
PLAN SHEET**

STA. 895+00.00 TO STA. 29+00.00

SCALE: VERT. N/A
HORIZ. 1" = 50'

DRAWN BY MEW
CHECKED BY

HANSON
Hanson Professional Services Inc.
1525 South Sixth Street
Springfield, Illinois 62703-2886
Offices Nationwide

MODEL NAME = FAI-80_SPT_2
PROJECT NAME = I-80_SPT_2
FILE NAME = I-80_SPT_2.dwg
PLOT SCALE = 1/8" = 1'-0"
USER NAME = John.Hanson

LAYOUT	MEW	01/09/06
DRAWN	MEW	01/09/06
REVIEWED	MTM	10/17/07