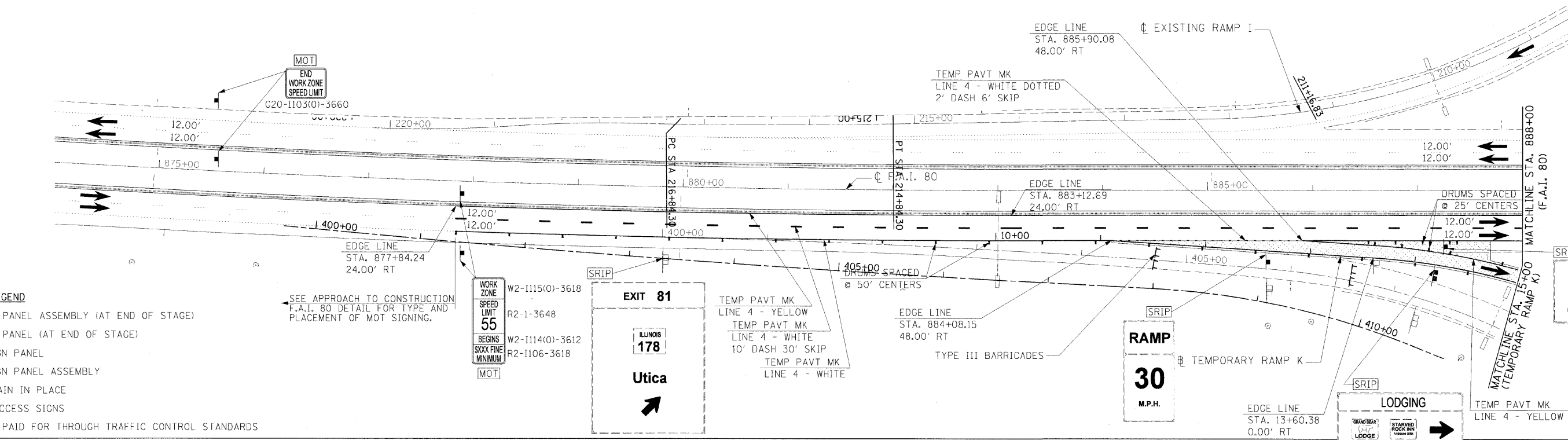


F.A.I. RTE.	SECTION	COUNTY	TOTAL SHEETS	SHEET NO.
80	150-31HBK	LASALLE	492	154
STA.		TO STA.		
FED. ROAD DIST. NO.		ILLINOIS FED. AID PROJECT		

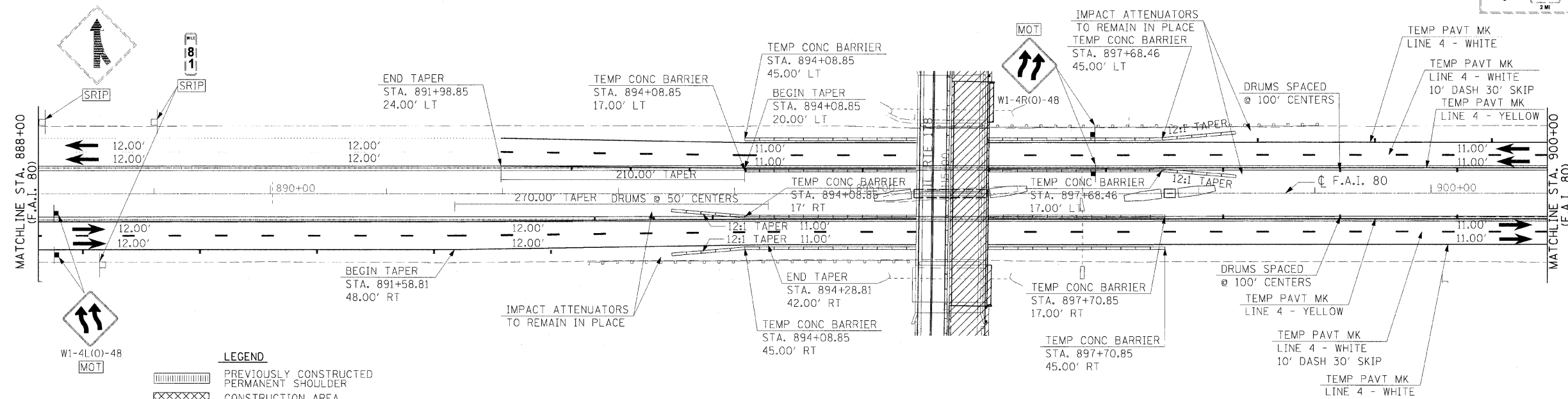


SIGNING LEGEND

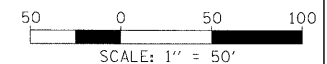
- [RSPA] REMOVE SIGN PANEL ASSEMBLY (AT END OF STAGE)
- [RSP] REMOVE SIGN PANEL (AT END OF STAGE)
- [RLSP] RELOCATE SIGN PANEL
- [RLSPA] RELOCATE SIGN PANEL ASSEMBLY
- [SRIP] SIGN TO REMAIN IN PLACE
- [TAS] TEMPORARY ACCESS SIGNS
- [MOT] SIGNS TO BE PAID FOR THROUGH TRAFFIC CONTROL STANDARDS

SEE APPROACH TO CONSTRUCTION F.A.I. 80 DETAIL FOR TYPE AND PLACEMENT OF MOT SIGNING.

HANSON
 Hanson Professional Services Inc.
 1525 South Sixth Street
 Springfield, Illinois 62703-2888
 Offices Nationwide



- LEGEND**
- [Hatched Box] PREVIOUSLY CONSTRUCTED PERMANENT SHOULDER
 - [Cross-hatched Box] CONSTRUCTION AREA
 - [Dotted Box] TEMPORARY PAVEMENT
 - [Circle with 'X'] DRUMS OR TYPE II BARRICADES
 - [Arrow] TRAFFIC FLOW
 - [Vertical Line] TEMPORARY CONCRETE BARRIER
 - [Vertical Line with 'T'] TYPE III BARRICADES
 - [Square with 'S'] SIGN



REVISIONS	
NAME	DATE

ILLINOIS DEPARTMENT OF TRANSPORTATION

**MAINTENANCE OF TRAFFIC
 STAGE 1 PHASE II
 SHEET 8 OF 12**

SCALE: VERT. N/A
 HORIZ. 1"=50'
 DATE: _____ DRAWN BY MEW
 CHECKED BY _____

MODEL NAME = S 1 Phase II Sht 1
 PLOT DATE = 12/23/2009
 PLOT SCALE = 1/8"=1'-0"
 USER NAME = JohnH090944

LAYOUT	MEW	8/27/05
DRAWN	MEW	8/27/05
REVIEWED	MTM	10/1/07