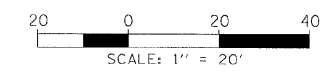
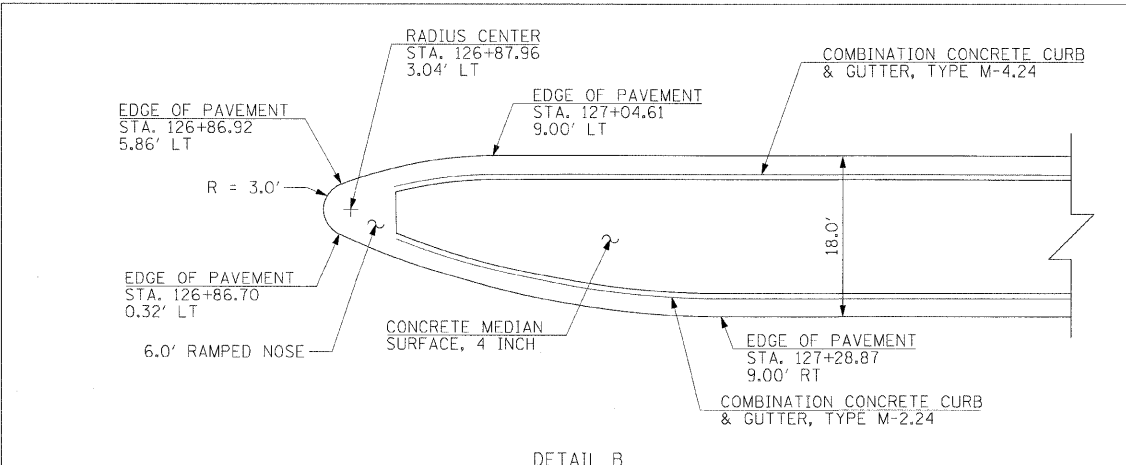
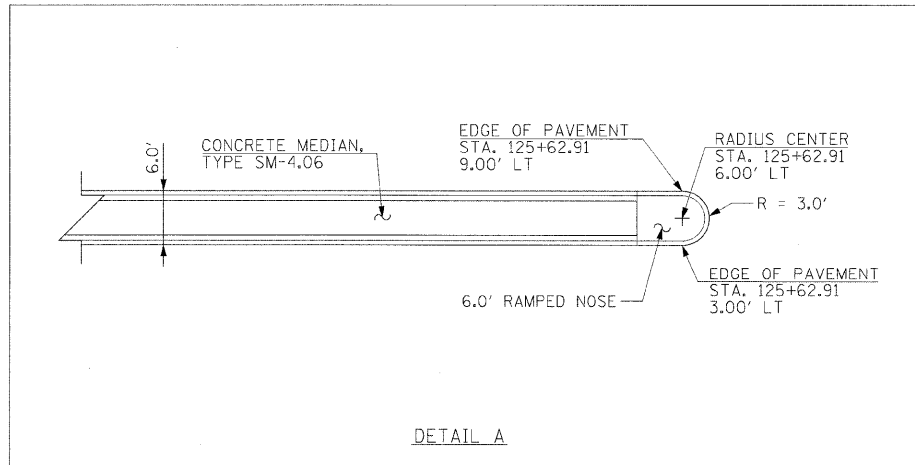
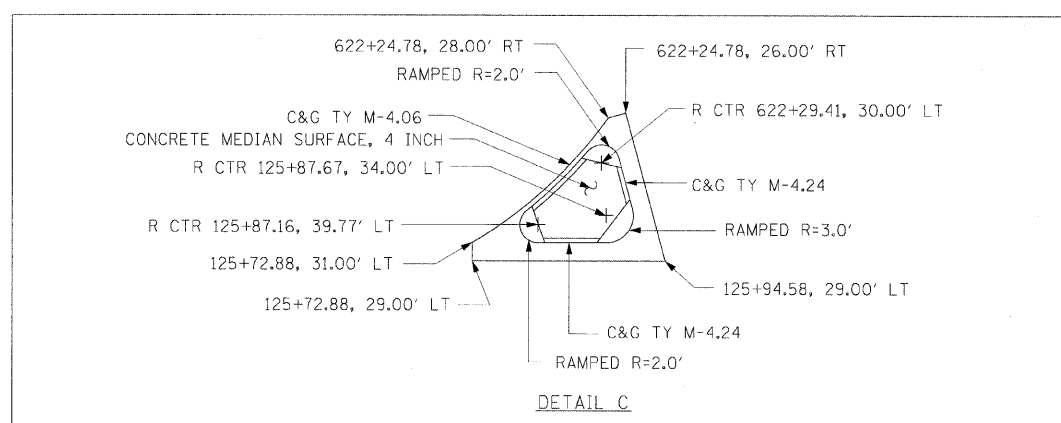
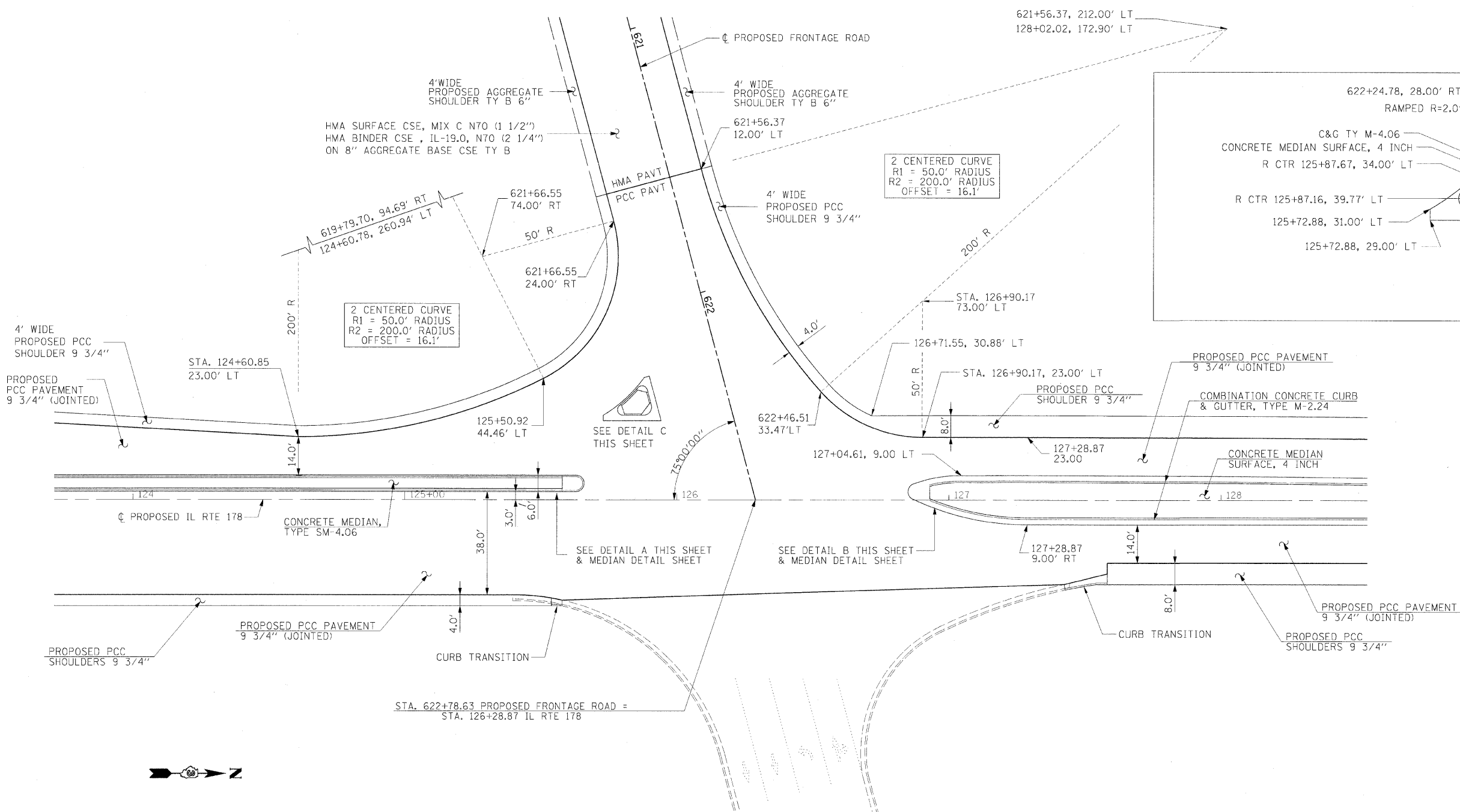


F.A.I. RTE.	SECTION	COUNTY	TOTAL SHEETS	SHEET NO.
80	(50-3)HBK	LASALLE	492	218
STA.		TO STA.		
FED. ROAD DIST. NO.		ILLINOIS FED. AID PROJECT		



REVISIONS	
NAME	DATE

ILLINOIS DEPARTMENT OF TRANSPORTATION

PROPOSED FRONTAGE ROAD INTERSECTION DETAIL

SCALE: VERT. 1" = 50'
 HORIZ. 1" = 20'

DRAWN BY MEW
 CHECKED BY

HANSON
 Hanson Professional Services Inc.
 1525 South Sixth Street
 Springfield, Illinois 62703-2886
 Offices Nationwide

MODEL NAME = Frontage Rd Int
 PLOT DATE = 12/03/2009
 PLOT SCALE = 1/8"=1'-0"
 USER NAME = JohnB@hpi.com

LAYOUT	12/05/06
DRAWN	MEW
REVIEWED	WTM