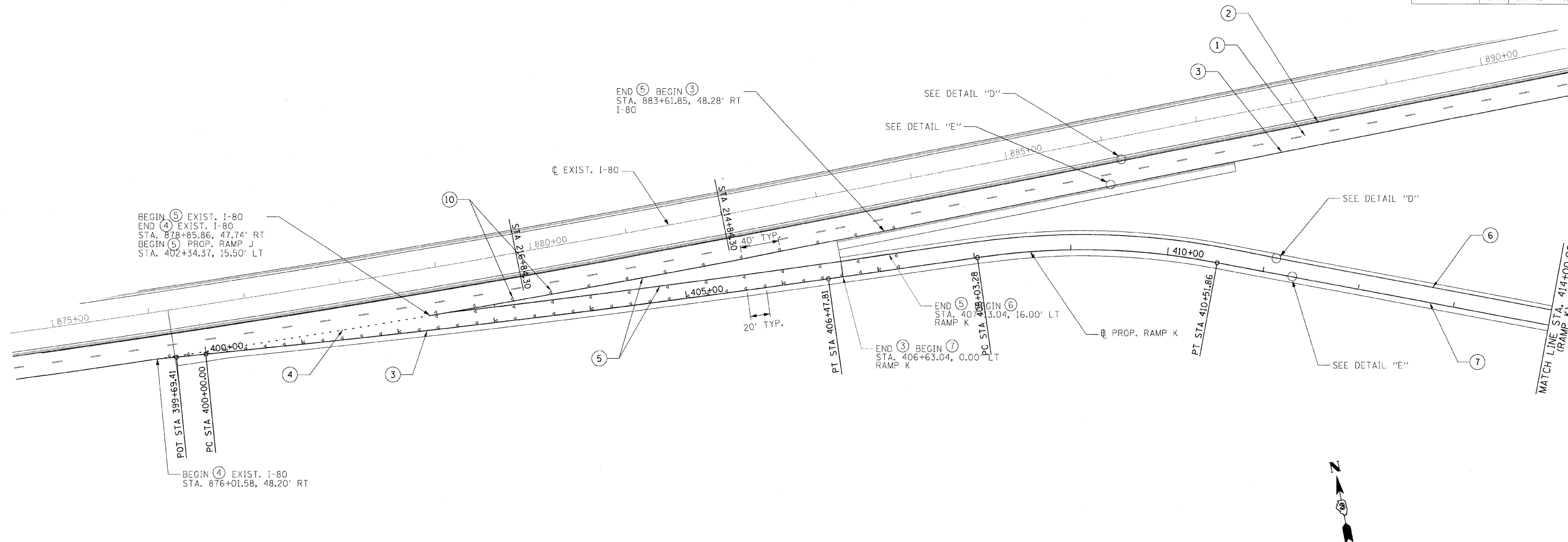
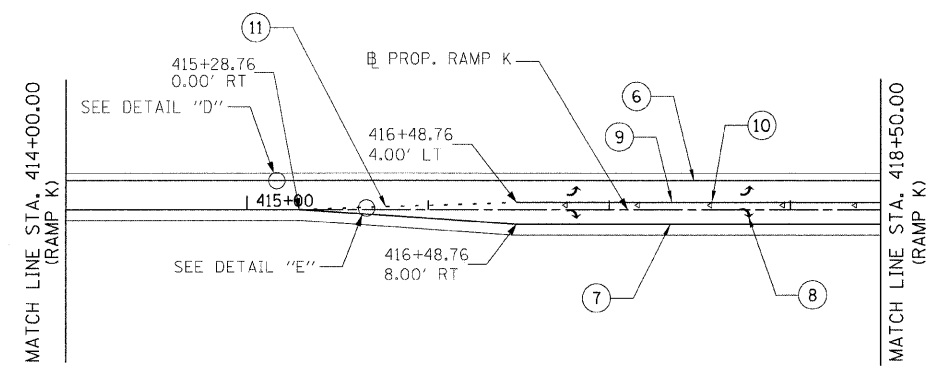


F.A.I. RTE.	SECTION	COUNTY	TOTAL SHEETS	SHEET NO.
80	(50-3)HBK	LASALLE	492	226
STA. 399+69.41		TO STA. 418+50.00		
FED. ROAD DIST. NO.		ILLINOIS FED. AID PROJECT		

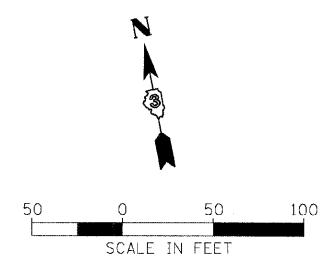


NOTES:

- SEE I-80 PAVEMENT MARKING SHEETS FOR I-80 PAVEMENT MARKING
- SEE PAVEMENT MARKING DETAILS SHEET FOR ADDITIONAL PAVEMENT MARKING AND RAISED REFLECTIVE PAVEMENT MARKER LAYOUT



- PROPOSED PAVEMENT MARKING LEGEND
- (1) PREFORMED PLASTIC PAVEMENT MARKING, TYPE B - INLAID - LINE 6" (WHITE)
 - (2) THERMOPLASTIC PAVEMENT MARKING - LINE 4" (YELLOW)
 - (3) THERMOPLASTIC PAVEMENT MARKING - LINE 4" (WHITE)
 - (4) THERMOPLASTIC PAVEMENT MARKING - LINE 8" (DOTTED WHITE)
 - (5) THERMOPLASTIC PAVEMENT MARKING - LINE 8" (WHITE)
 - (6) POLYUREA PAVEMENT MARKING TYPE I - LINE 4" (YELLOW)
 - (7) POLYUREA PAVEMENT MARKING TYPE I - LINE 4" (WHITE)
 - (8) POLYUREA PAVEMENT MARKING TYPE I - LETTERS & SYMBOLS (WHITE)
 - (9) POLYUREA PAVEMENT MARKING TYPE I - LINE 8" (WHITE)
 - (10) RAISED REFLECTIVE PAVEMENT MARKER
 - (11) POLYUREA PAVEMENT MARKING TYPE I - LINE 8" (DOTTED WHITE)



REVISIONS		ILLINOIS DEPARTMENT OF TRANSPORTATION
NAME	DATE	
		PAVEMENT MARKING PLANS RAMP K

SCALE: VERT. 1"=50'
HORIZ. 1"=50'

DATE

DRAWN BY JAP
CHECKED BY

© Copyright Hanson Professional Services, Inc. 2009

HANSON

Hanson Professional Services Inc.
1525 South Sixth Street
Springfield, Illinois 62703-2886
Offices Nationwide

MODEL NAME	= RAMP K
PLOT DATE	= 12/23/2005
PLOT SCALE	= 50.0000 1/1"=50'
USER NAME	= JohnB2944
LAYOUT	JAP 07/12/05
DRAWN	JAP 07/12/05
REVIEWED	NTM 10/17/07