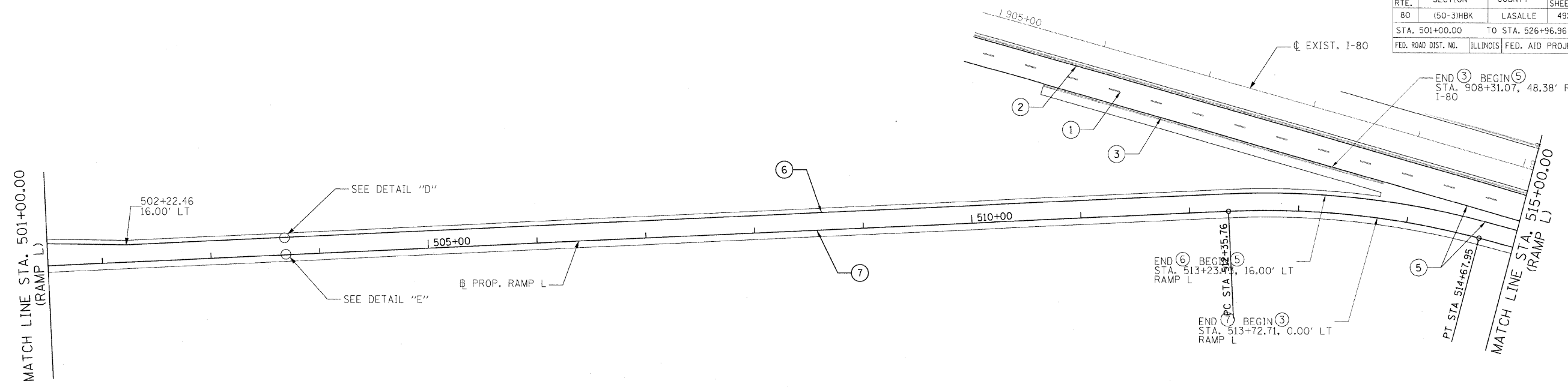
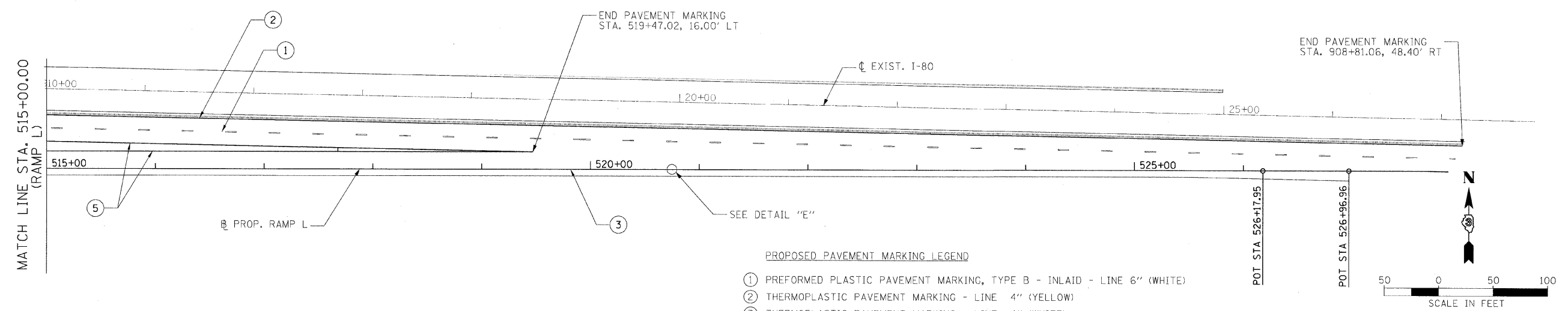


| F.A.I. RTE. | SECTION | COUNTY | TOTAL SHEETS | SHEET NO. |
|---------------------|-----------|-------------------|------------------|-----------|
| 80 | 150-31HBK | LASALLE | 492 | 227 |
| STA. 501+00.00 | | TO STA. 526+96.96 | | |
| FED. ROAD DIST. NO. | | ILLINOIS | FED. AID PROJECT | |



NOTES:
 1. SEE I-80 PAVEMENT MARKING SHEETS FOR I-80 PAVEMENT MARKING
 2. SEE PAVEMENT MARKING DETAILS SHEET FOR ADDITIONAL PAVEMENT MARKING AND RAISED REFLECTIVE PAVEMENT MARKER LAYOUT



- PROPOSED PAVEMENT MARKING LEGEND
- ① PREFORMED PLASTIC PAVEMENT MARKING, TYPE B - INLAID - LINE 6" (WHITE)
 - ② THERMOPLASTIC PAVEMENT MARKING - LINE 4" (YELLOW)
 - ③ THERMOPLASTIC PAVEMENT MARKING - LINE 4" (WHITE)
 - ④ THERMOPLASTIC PAVEMENT MARKING - LINE 8" (DOTTED WHITE)
 - ⑤ THERMOPLASTIC PAVEMENT MARKING - LINE 8" (WHITE)
 - ⑥ POLYUREA PAVEMENT MARKING TYPE I - LINE 4" (YELLOW)
 - ⑦ POLYUREA PAVEMENT MARKING TYPE I - LINE 4" (WHITE)
 - ⑧ POLYUREA PAVEMENT MARKING TYPE I - LETTERS & SYMBOLS (WHITE)
 - ⑨ POLYUREA PAVEMENT MARKING TYPE I - LINE 8" (WHITE)
 - ⑩ RAISED REFLECTIVE PAVEMENT MARKER

| REVISIONS | |
|-----------|------|
| NAME | DATE |
| | |
| | |
| | |
| | |
| | |
| | |
| | |
| | |
| | |
| | |

ILLINOIS DEPARTMENT OF TRANSPORTATION

PAVEMENT MARKING PLANS
RAMP L

SCALE: VERT. 1"=50'
HORIZ. 1"=50'

DATE: _____

DRAWN BY JAP
CHECKED BY _____

© Copyright Hanson Professional Services Inc. 2009

HANSON

Hanson Professional Services Inc.
 1525 South Sixth Street
 Springfield, Illinois 62703-2886
 Offices Nationwide

MODEL NAME = RAMP L
 PLOT DATE = 12/23/2009
 FILE NAME = C:\PA\Export\AC-120\mk.dgn
 PLOT SCALE = 50.00001 / 1 in.
 USER NAME = Johna80944

| | | |
|----------|-----|----------|
| LAYOUT | JAP | 07/22/05 |
| DRAWN | JAP | 07/22/05 |
| REVIEWED | MTM | 10/17/07 |