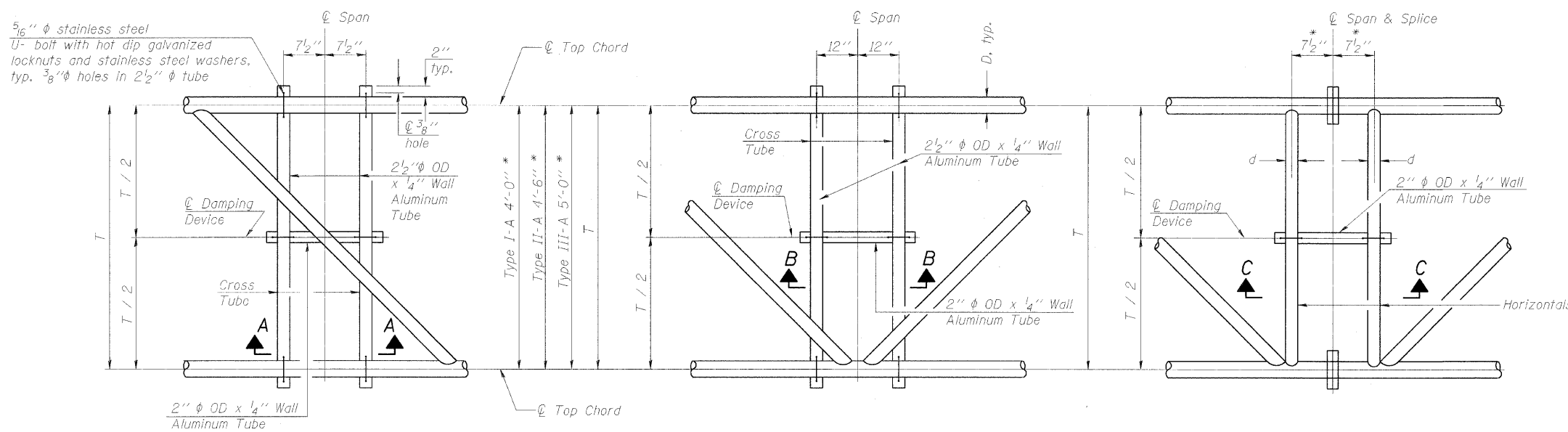


F.A.I. RTE.	SECTION	COUNTY	TOTAL SHEETS	SHEET NO.
80	150-318K	LASALLE	492	250
STA.		TO STA.		
FED. ROAD DIST. NO.		ILLINOIS FED. AID PROJECT		

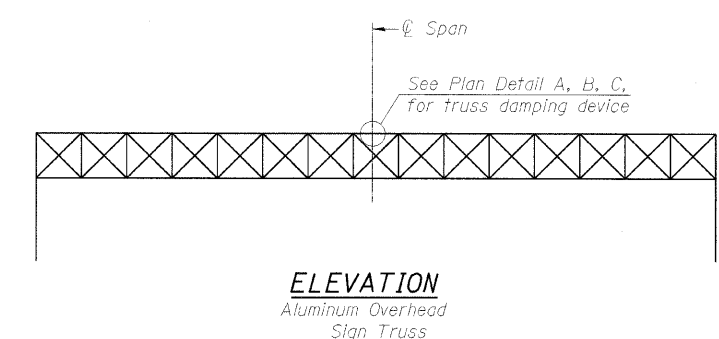
* Center of horizontal to center of splice dimension may vary. Verify before drilling holes in mounting tube.



PLAN DETAIL "A"
Span between Panel Points

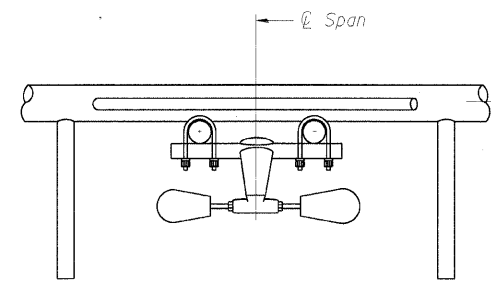
PLAN DETAIL "B"
Span at Panel Point

PLAN DETAIL "C"
Span at Chord Splice

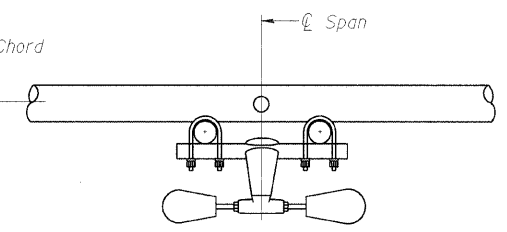


ELEVATION
Aluminum Overhead Sign Truss

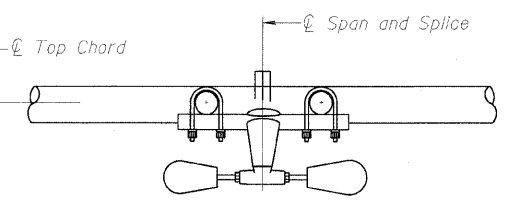
- NOTES**
- Damper: One damper per truss. (31 lbs. minimum Stockbridge-Type Aluminum - 29" minimum between ends of weights) Cost included in Overhead Sign Structure...
 - Materials: Materials: Aluminum tubes shall be ASTM B221 alloy 6061 temper T6. Cost included in Overhead Sign Structure...



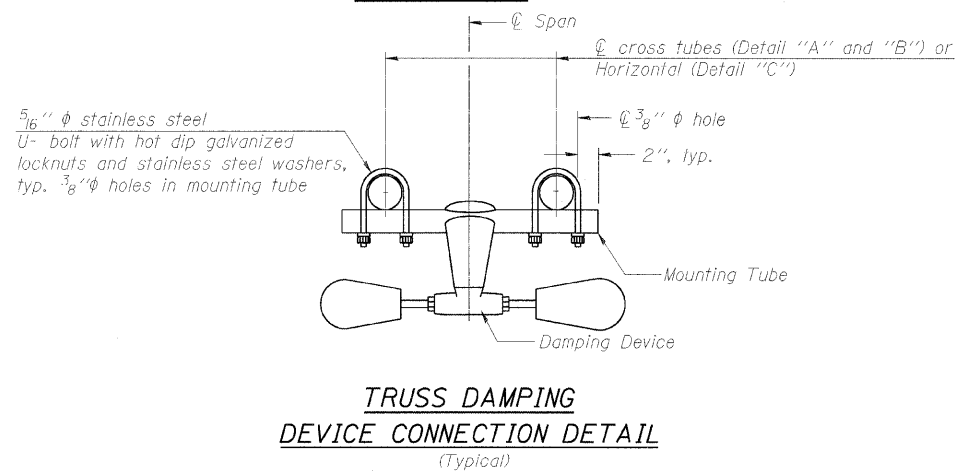
SECTION A-A



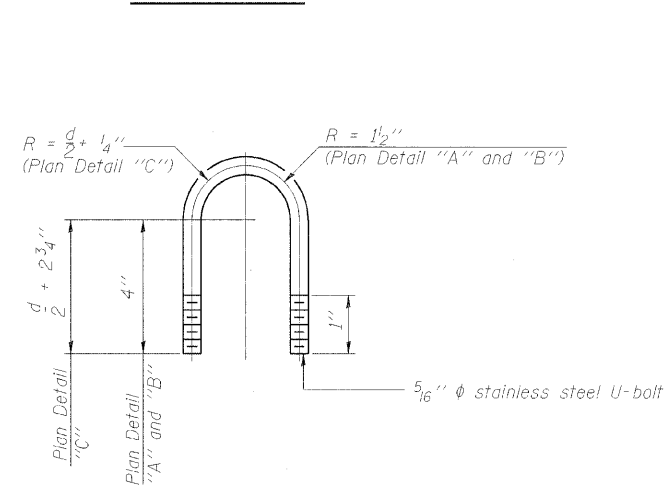
SECTION B-B



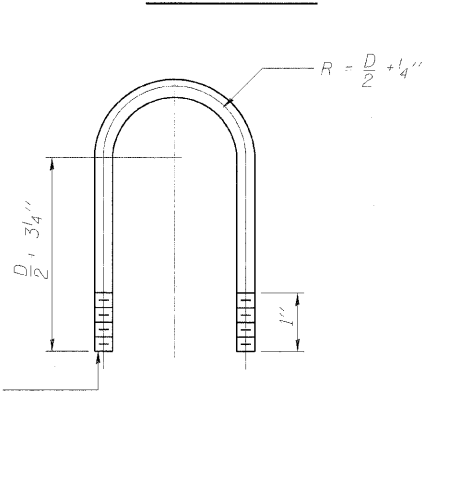
SECTION C-C



TRUSS DAMPING DEVICE CONNECTION DETAIL
(Typical)



DAMPING DEVICE MOUNTING TUBE U-BOLT DETAIL
(Typical)



TOP CHORD TO CROSS TUBE U-BOLT DETAIL
(Typical - Detail "A" and "B")

OVERHEAD SIGN STRUCTURE DAMPING DEVICE

REVISIONS		ILLINOIS DEPARTMENT OF TRANSPORTATION SIGNING PLAN OVERHEAD SIGN STRUCTURE SCALE: VERT. HORIZ. N.T.S. DATE	DRAWN BY MQC CHECKED BY MLT
NAME	DATE		

© Copyright Hanson Professional Services Inc. 2009
HANSON
 Hanson Professional Services Inc.
 1525 South Sixth Street
 Springfield, Illinois 62703-2886
 Offices Nationwide

MODEL NAME = 19 OS-A-D
 PLOT DATE = 12/23/2009
 PLOT SCALE = 1/8" = 1'-0"
 USER NAME = jahn0244
 LAYOUT : MOC 02/08/06
 DRAWN : MOC 02/08/06
 REVIEWED : MLT 10/17/07