

F.A.I. RTE.	SECTION	COUNTY	TOTAL SHEETS	SHEET NO.
80	(50-3)HBK	LASALLE	492	256
STA.		TO STA.		
FED. ROAD DIST. NO.		ILLINOIS FED. AID PROJECT		

For anchor rod size and placement, see Support Frame Detail Sheet.

* Anchor rod shall be ground or filed to bright metal at clamp and cable connection location.

BAR LIST - EACH FOUNDATION

Bar	Number	Size	Length	Shape
v4(E)	16	#9	F less 5"	—
#4 bar spiral (E) - see Side Elevation				

NOTES:

The foundation dimensions shown are based on the presence of mostly cohesive soils with an average Unconfined Compressive Strength (Qu) of at least 1.25 tsf, which must be determined by previous soil investigations at the jobsite. When other conditions are indicated, the boring data will be included in the plans and the foundation dimensions shown will be the result of site specific designs.

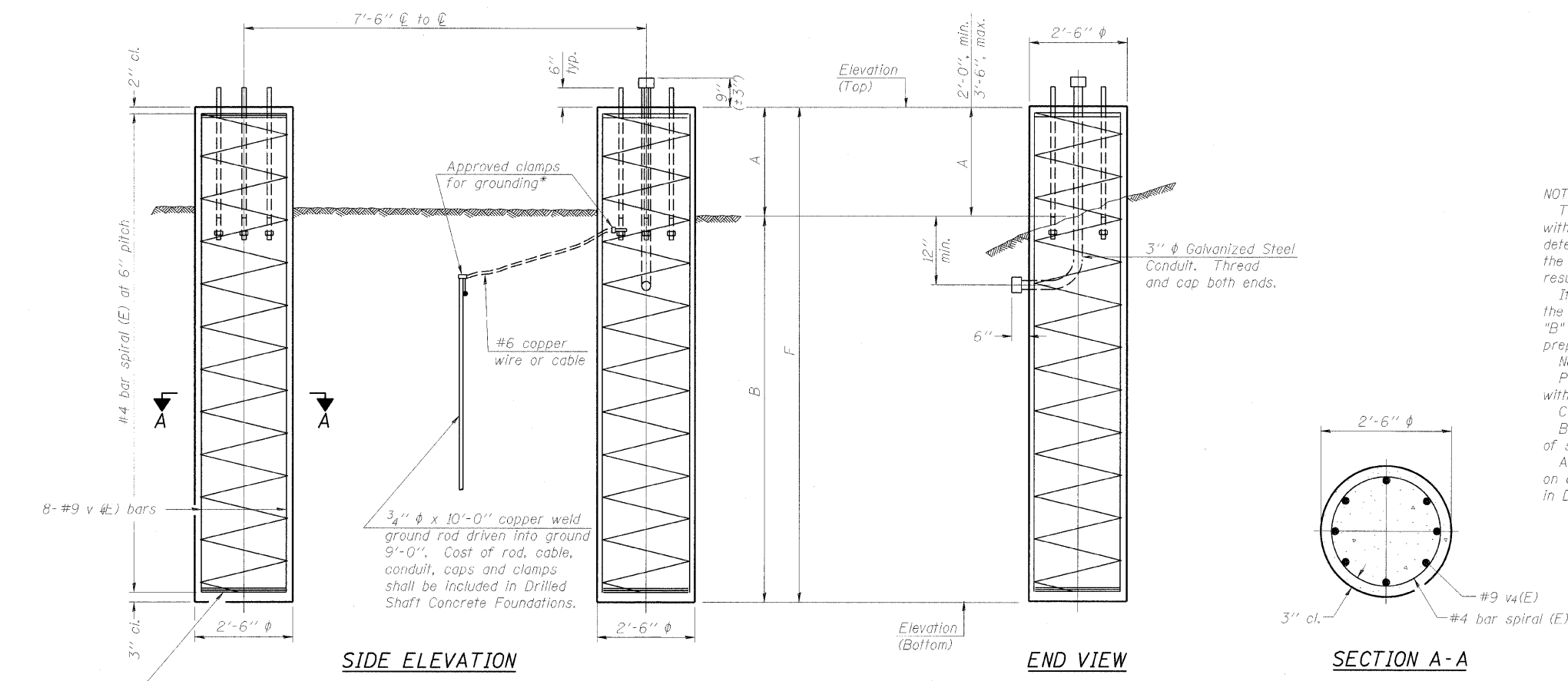
If the conditions encountered are different than those indicated, the Contractor shall notify the Engineer to determine if the foundation dimensions need to be modified. If dimensions "B" or "F" are revised by more than 12" by the Contractor, "as-built" plans shall be prepared and submitted to the District Bureau of Operations for future reference.

No sonotubes or decomposable forms shall be used below the lower conduit entrance. Permanent metal forms or other shielding may not be left in place below that elevation without the Engineer's written permission.

Concrete shall be placed monolithically, without construction joints.

Backfill shall be placed per Article 502 of Standard Specification and prior to erection of support column.

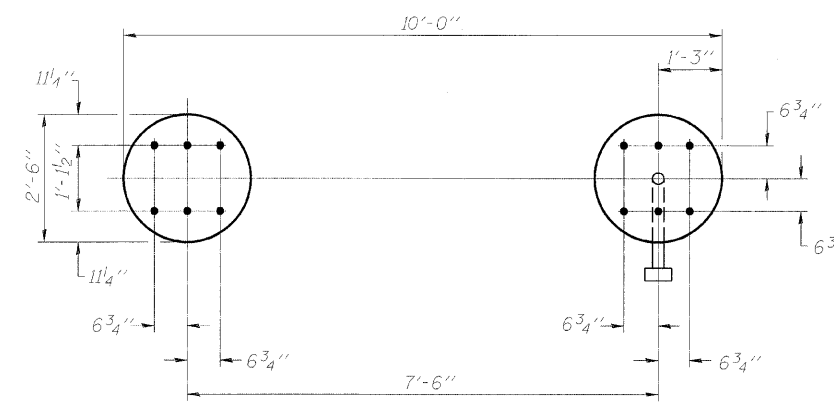
A normal surface finish followed by a Bridge Seat Sealer application will be required on concrete surfaces above the lowest elevation 6" below finished ground line. Cost included in Drilled Shaft Concrete Foundation.



HANSON
 Hanson Professional Services Inc.
 1525 South Sixth Street
 Springfield, Illinois 62703-2886
 Offices Nationwide

© Copyright Hanson Professional Services Inc. 2009

Structure Number	Station	Left Foundation			Right Foundation			Class SI Concrete (Cu. Yds.)				
		Elevation Top	Elevation Bottom	A	B	F	Elevation Top		Elevation Bottom	A	B	F
3S0501080L081.2	897+75	626.00	609.24	2'-3 1/8"	14'-6"	16'-9 1/8"	626.00	608.03	3'-5 5/8"	14'-6"	17'-11 5/8"	12.6



PLAN

NUMBER	REVISION	DATE

DETAILS FOR 8" Ø SUPPORT FRAME TYPE I-A TRUSS

SIGNING SHEET 25 OF 25

**OVERHEAD SIGN STRUCTURES
 DRILLED SHAFT DETAILS**

ILLINOIS DEPARTMENT OF TRANSPORTATION

SIGNING PLAN
 OVERHEAD SIGN STRUCTURE

SCALE: VERT. _____
 HORIZ. N.T.S.
 DATE _____

DRAWN BY MQC
 CHECKED BY MLT

REVISIONS	
NAME	DATE

MODEL NAME = 25 OS4-F2
 PLOT DATE = 10/23/2007
 DRAWN BY = J. L. B. / J. L. B.
 REVIEWED BY = J. L. B. / J. L. B.
 USER NAME = J. L. B. / J. L. B.