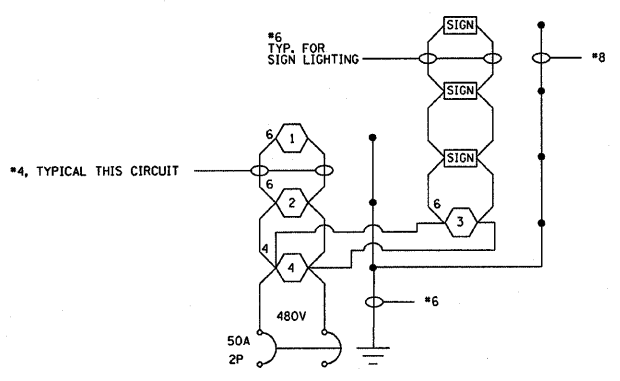
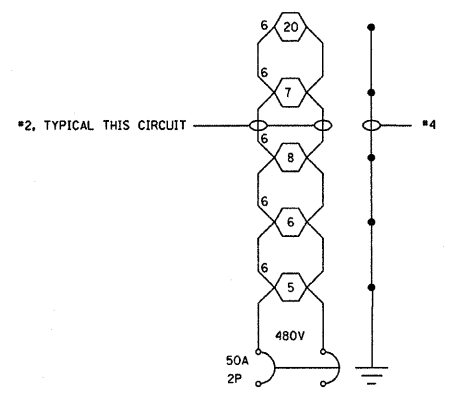


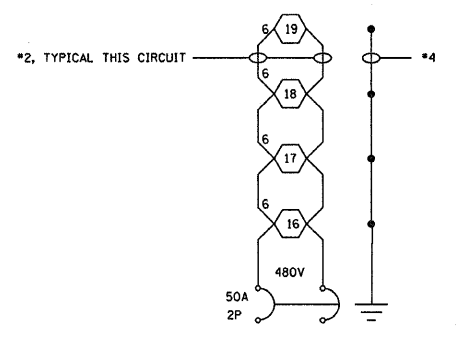
F.A.I. RTE.	SECTION	COUNTY	TOTAL SHEETS	SHEET NO.
80	50-3HBK	LASALLE	492	266
ILLINOIS			FED. AID PROJECT	



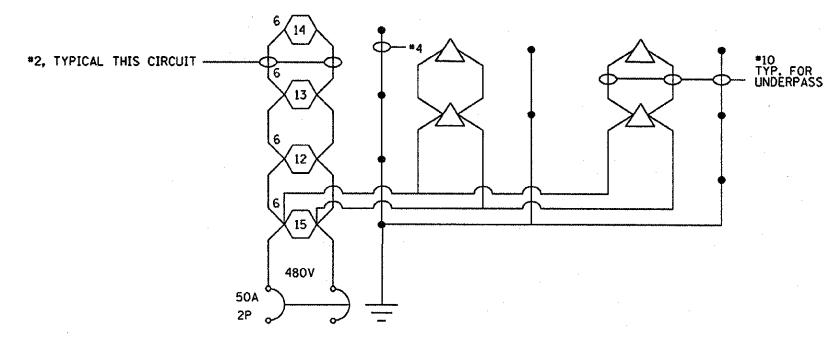
LIGHTING CIRCUIT 1
PROPOSED LIGHTING CONTROLLER NO. 1



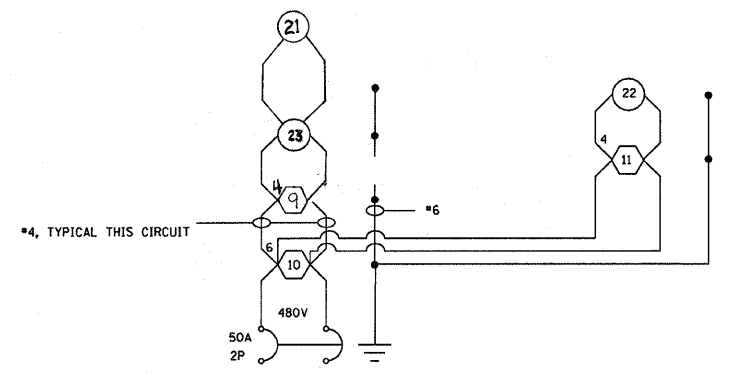
LIGHTING CIRCUIT 2
PROPOSED LIGHTING CONTROLLER NO. 1



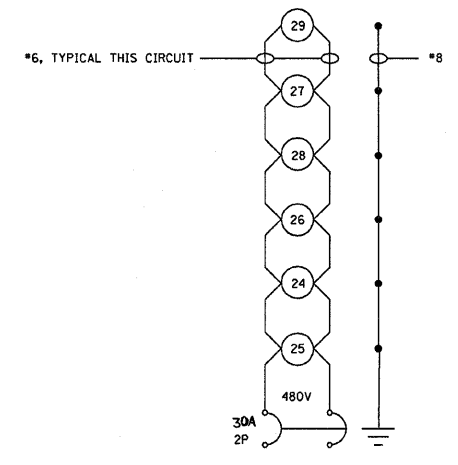
LIGHTING CIRCUIT 3
PROPOSED LIGHTING CONTROLLER NO. 1



LIGHTING CIRCUIT 4
PROPOSED LIGHTING CONTROLLER NO. 1



LIGHTING CIRCUIT 5
PROPOSED LIGHTING CONTROLLER NO. 1



LIGHTING CIRCUIT 6
PROPOSED LIGHTING CONTROLLER NO. 1

NOTES:

- ALL NECESSARY REVISIONS TO THE WIRING SHOWN ON THIS SHEET SHALL BE MADE AT NO ADDITIONAL COST TO THE DEPARTMENT AND TO THE SATISFACTION OF THE ENGINEER.

INDICATES # OF LUMINAIRES PER TOWER

⬡ 400W HPS TOWER LUMINAIRE

○ 400W HPS LUMINAIRE

△ 150W HPS UNDERPASS LUMINAIRE

⬢ 150W SIGN LUMINAIRE

REVISIONS	
NAME	DATE

ILLINOIS DEPARTMENT OF TRANSPORTATION

CIRCUIT DIAGRAMS

DATE: 1-6-2010

PLOT DATE = Feb. 18, 2010 - 01:46:32 PM
 FILE NAME = c:\new-work\p\1001\c\c\p\ENTEROJ\dmf1455\Circuit Diagrams - Utica Interchange.dgn
 USER NAME = c:\p\entero