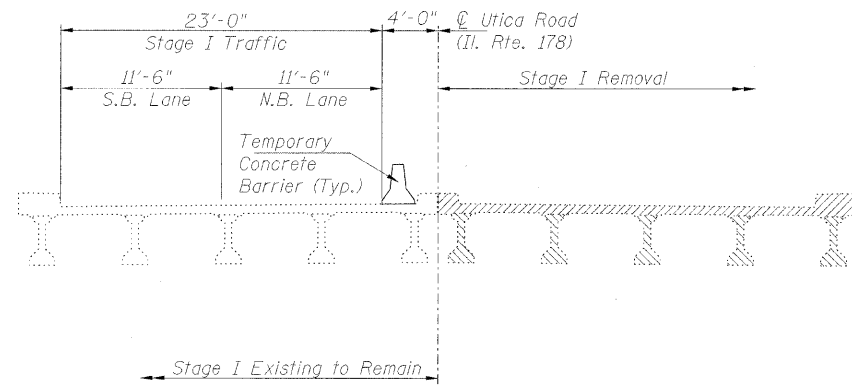


STATE OF ILLINOIS
DEPARTMENT OF TRANSPORTATION

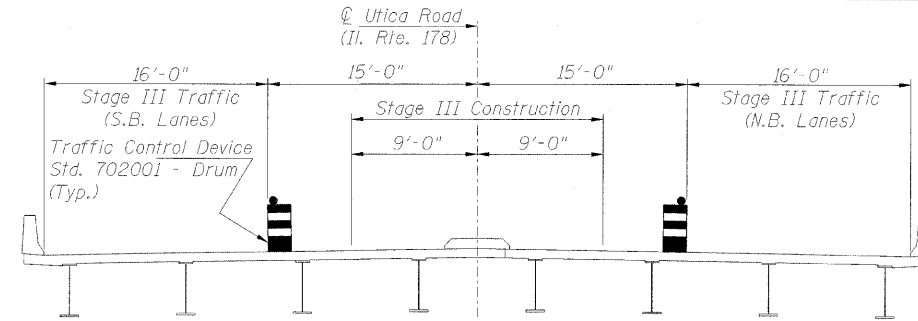
ROUTE NO.	SECTION	COUNTY	TOTAL SHEETS	SHEET NO.
F.A.U. Rte. 6120	*	LaSALLE	492	271
FED. ROAD DIST. NO. 7		ILLINOIS	FED. AID PROJECT-	

SHEET NO. 3
22 SHEETS

*50-3HBK CONTRACT NO. 66542

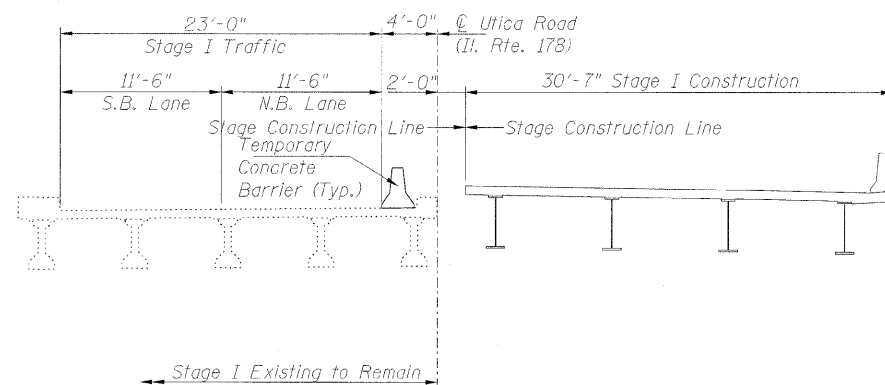


STAGE I REMOVAL

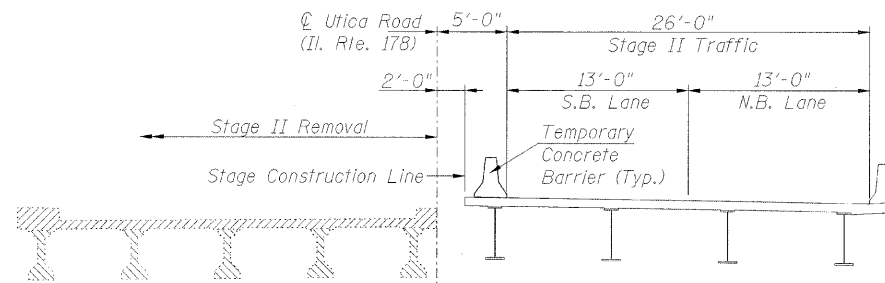


STAGE III CONSTRUCTION

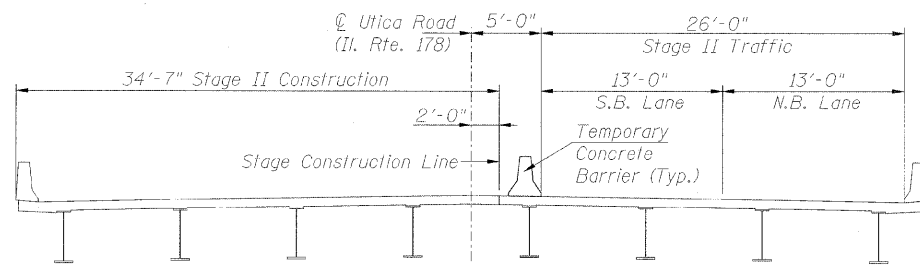
Note:
See Roadway Plans for quantities and pay items for Temporary Concrete Barrier and Traffic Control Devices.



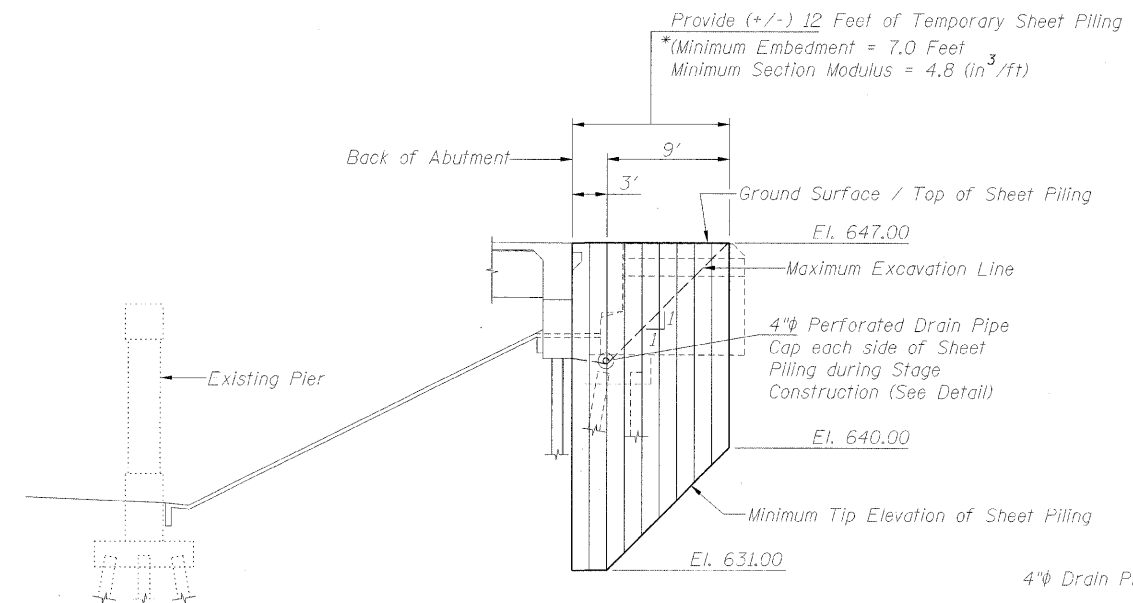
STAGE I CONSTRUCTION



STAGE II REMOVAL

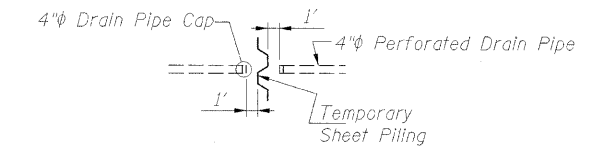


STAGE II CONSTRUCTION



TEMPORARY SHEET PILING
(North Abutment Shown - South Abutment Similar)

Note:
If the Contractor chooses to alter the temporary cantilevered sheet piling design requirements shown on the plans, a design submittal including plan details and calculations will be required for review and acceptance by the Engineer.



DRAIN PIPE DETAIL AT SHEET PILING

DECK STAGE CONSTRUCTION SEQUENCE
UTICA ROAD (IL. RTE. 178) over F.A.I. ROUTE 80
SECTION 50-3HBK
LaSALLE COUNTY
STATION 115+00.00
STRUCTURE NO. 050-0248

1/23/2009
C:\NW_Export\5-10\F-00.dgn
LAYOUT 11/15/05
DRAWN 11/15/05
REVIEWED 11/15/05