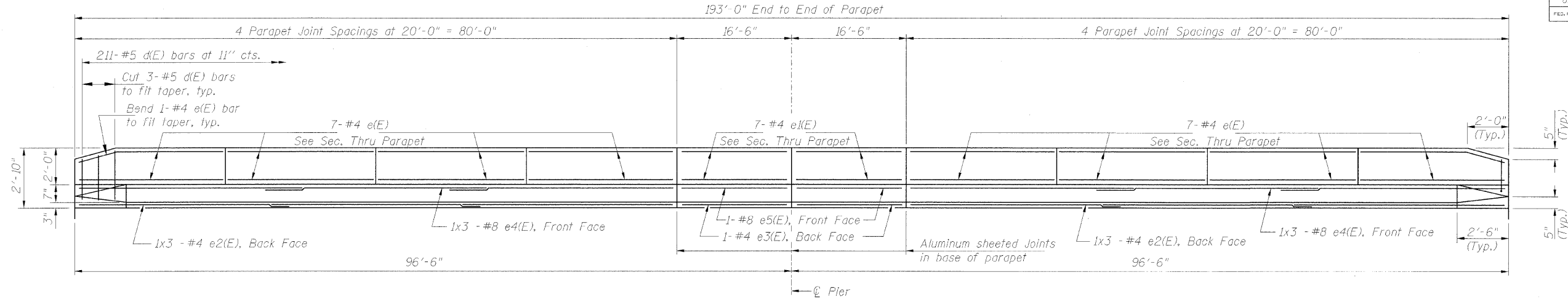


STATE OF ILLINOIS
DEPARTMENT OF TRANSPORTATION

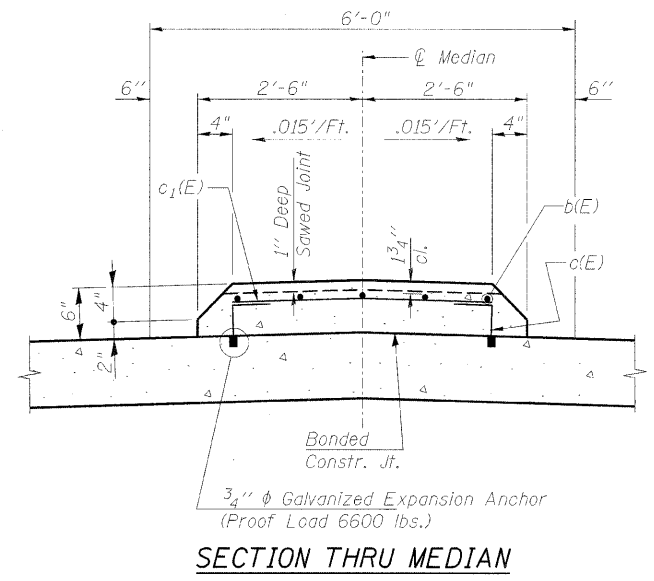
PROJECT NO.	SECTION	COUNTY	TOTAL SHEETS	SHEET NO.	SHEET NO. 11
F.A.U. Rtb. 6120	*	LaSALLE	492	279	22 SHEETS
FED. ROAD DIST. NO. 7	ALLIANCE	FED. NO. PROJECT	CONTRACT NO. 66542		



**SUPERSTRUCTURE
BILL OF MATERIAL**

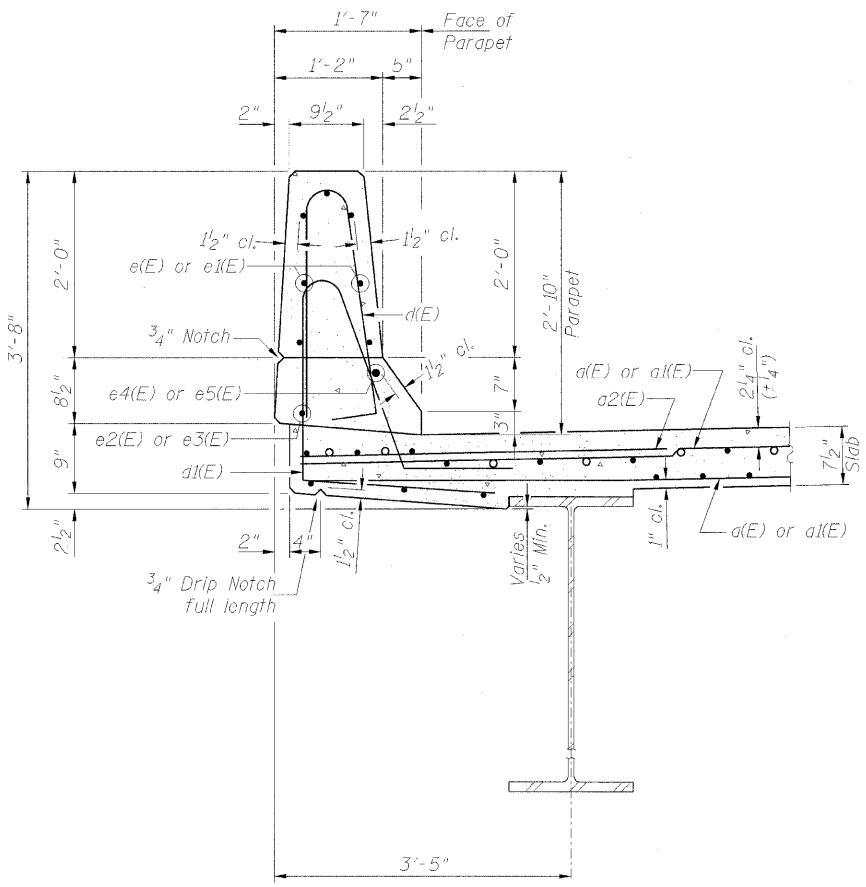
Bar	No.	Size	Length	Shape
a(E)	730	#5	34'-1"	—
a1(E)	730	#5	30'-3"	—
a2(E)	422	#6	6'-0"	—
b(E)	1016	#5	29'-6"	—
b1(E)	198	#6	21'-7"	—
b2(E)	166	#5	15'-10"	—
c(E)	388	#5	1'-6"	└
c1(E)	194	#5	4'-2"	—
d(E)	422	#5	5'-7"	└
d1(E)	422	#5	7'-11"	└
e(E)	112	#4	19'-8"	—
e1(E)	28	#4	16'-2"	—
e2(E)	12	#4	27'-6"	—
e3(E)	4	#4	16'-2"	—
e4(E)	12	#8	29'-0"	—
e5(E)	4	#8	16'-2"	—
m(E)	4	#6	29'-6"	—
m1(E)	6	#6	30'-3"	—
m2(E)	24	#6	11'-1"	—
m3(E)	12	#6	8'-0"	—
m4(E)	4	#6	3'-1"	—
m5(E)	4	#6	33'-6"	—
m6(E)	6	#6	34'-3"	—
m7(E)	4	#6	7'-7"	—
m8(E)	4	#6	11'-9"	—
m9(E)	2	#6	5'-10"	—
s(E)	124	#5	6'-9"	└
s1(E)	124	#4	11'-7"	└
v(E)	130	#5	3'-4"	└
Reinforcement Bars, Epoxy Coated		Pound	107680	
Concrete Superstructure		Cu. Yds.	411.9	

INSIDE ELEVATION OF PARAPET
(2 Required)

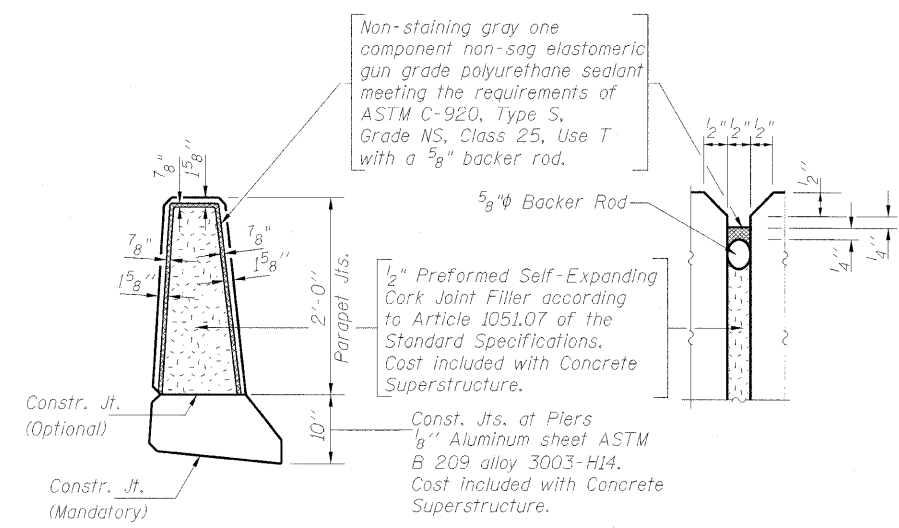


MINIMUM BAR LAP
(Parapet)

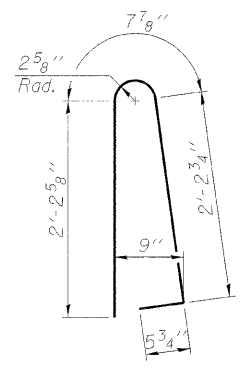
#4 bar = 1'-4"
#8 bar = 3'-5"



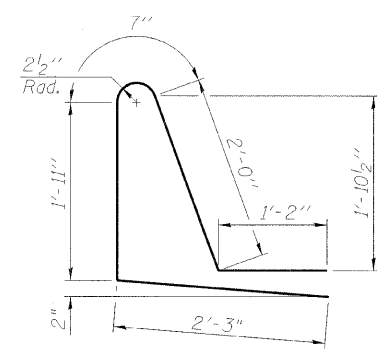
SECTION THRU PARAPET



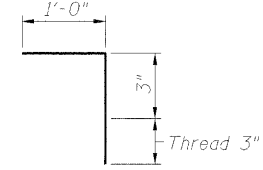
PARAPET JOINT DETAILS



BAR d(E)



BAR d1(E)



BAR c(E)

SUPERSTRUCTURE DETAILS
UTICA ROAD (IL. RTE. 178) over F.A.I. ROUTE 80
SECTION 50-3HBK
LaSALLE COUNTY
STATION 115+00.00
STRUCTURE NO. 050-0248

Copyright Hanson Professional Services Inc. 2009

HANSON

JOB NO. 05S2015
DATE 10/12/09

12/23/2009 CAPW_E:\proj\AS-10\F P-001.dgn
LAYOUT: AMW 11/16/05
DRAWN: RCD 1/15/07
REVIEWED: AJT 1/15/07