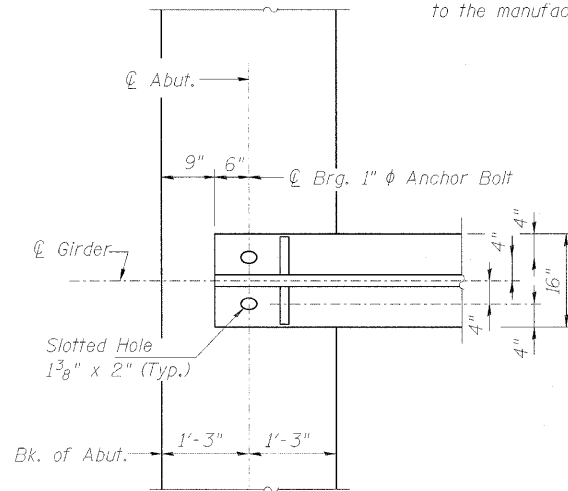
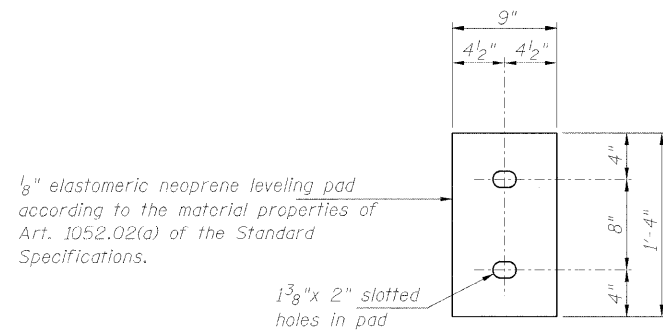


**FIXED BEARINGS AT ABUTMENTS**  
(No. Required = 16)

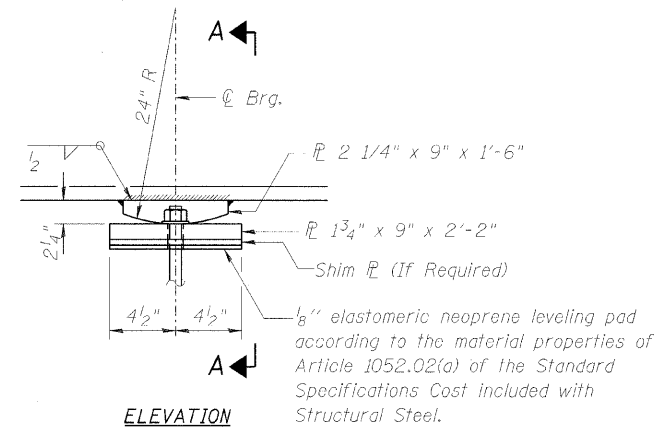
\* Length shown is the required total length for cast-in-place headed anchor bolts. The required total length for the sealed capsule alternate anchor bolt shall be according to the manufacturer's recommendations.



**SECTION C-C**

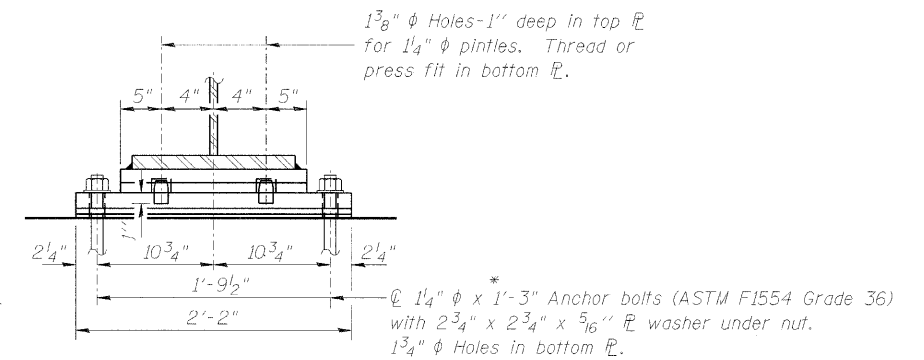


**PLAN-ELASTOMERIC NEOPRENE LEVELING PAD**  
(At Abutments)

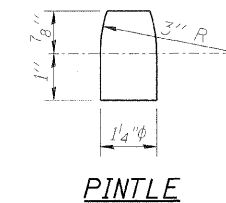


**ELEVATION**

**FIXED BEARINGS AT PIERS**  
(No. Required = 8)



**SECTION A-A**



Notes:

Two  $\frac{1}{8}$  in. adjusting shims shall be provided for each bearing in addition to all other plates or shims and placed as shown on bearing details.

Anchor bolts shall be ASTM F1554 all-thread (or an Engineer-approved alternate material) of the grade(s) and diameter(s) specified. ASTM A307 Grade C anchor bolts may be used in lieu of ASTM F1554 Grade 36 ( $f_y=36$ ksi). The corresponding specified grade of AASHTO M314 anchor bolts may be used in lieu of ASTM F1554.

Anchor bolts at fixed bearings may be either cast in place or installed in holes drilled after the supported member is in place.

Drilled and set anchor bolts shall be installed according to Article 521.06 of the Standard Specifications.

The anchor bolts, furnished and installed and including the epoxy capsules shall not be paid for separately but shall be included in the unit bid price for Furnishing and Erecting Steel.

All flanges, webs, bearing stiffeners, splice plates, and structural steel plates of the Bearing Assembly shall conform to the requirements of AASHTO M270, Grade 50.

Fill plates, Diaphragms, and diaphragm connecting plates shall conform to the requirements of AASHTO M270, Grade 36.

**BEARING DETAILS**  
 UTICA ROAD (IL. RTE. 178) over F.A.I. ROUTE 80  
 SECTION 50-3HBK  
 LaSALLE COUNTY  
 STATION 115+00.00  
 STRUCTURE NO. 050-0248

© Copyright Hanson Professional Services Inc. 2009



JOB NO.  
05S2015  
DATE  
10/12/09

12-23-2009  
C:\PW\_E\p\AS-01\FP-001.dgn

LAOUB	MM	11/16/05
DRWN	Rob	1/15/07
REVIEWED	JT	1/15/07