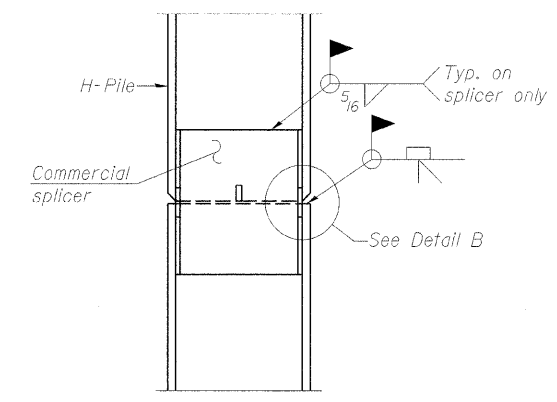
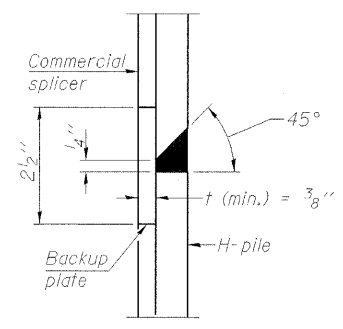


STEEL PILE TABLE

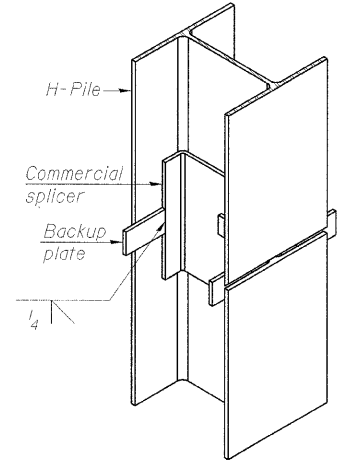
Designation	Depth d	Flange width br	Web and Flange thickness t	Encasement diameter A
HP 14x117	14 1/4"	14 7/8"	1 3/16"	30"
x102	14"	14 3/4"	1 1/16"	30"
x89	13 7/8"	14 3/4"	5/8"	30"
x73	13 5/8"	14 5/8"	1/2"	30"
HP 12x84	12 1/4"	12 1/4"	1 1/16"	24"
x74	12 1/8"	12 1/4"	5/8"	24"
x63	12"	12 1/8"	1/2"	24"
x53	11 3/4"	12"	7/16"	24"
HP 10x57	10"	10 1/4"	9/16"	24"
x42	9 3/4"	10 1/8"	7/16"	24"
HP 8x36	8"	8 1/8"	7/16"	18"



ELEVATION

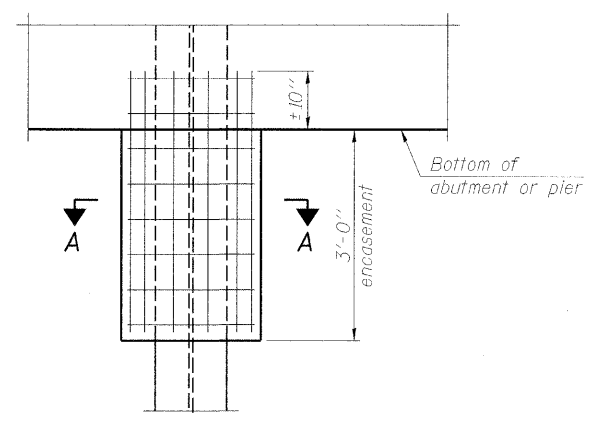


DETAIL "B"



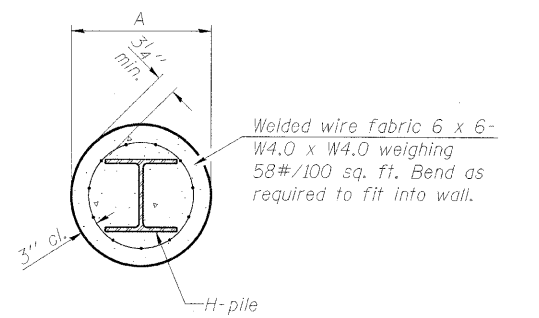
ISOMETRIC VIEW

WELDED COMMERCIAL SPLICE



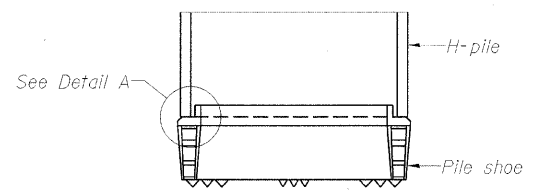
ELEVATION

PILE ENCASEMENT



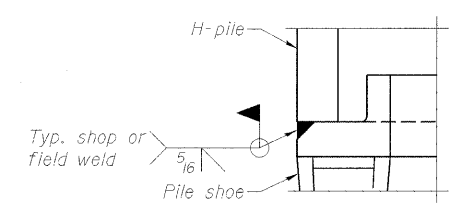
SECTION A-A

Note:
Forms for encasement may be omitted when soil conditions permit.

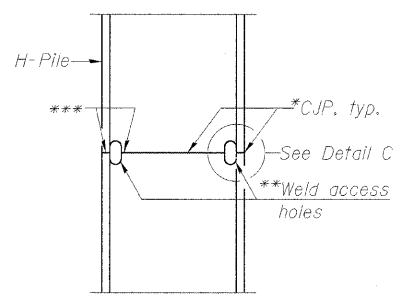


ELEVATION

H-PILE SHOE ATTACHMENT

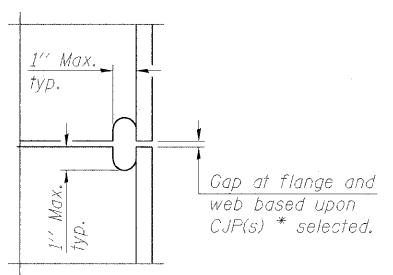


DETAIL A

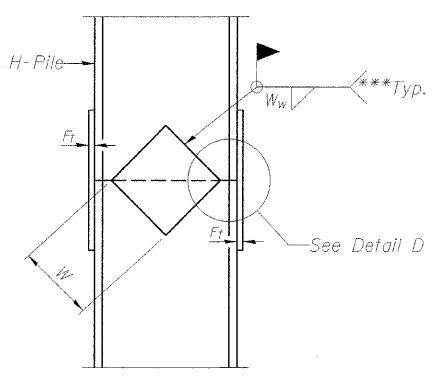


ELEVATION

COMPLETE PENETRATION WELD SPLICE

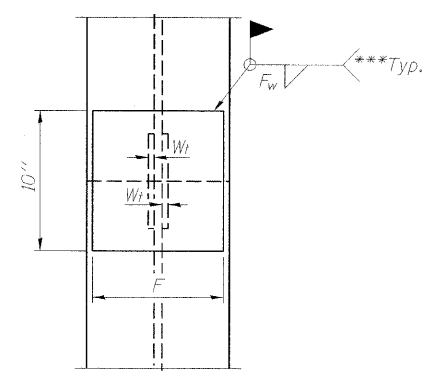


DETAIL C



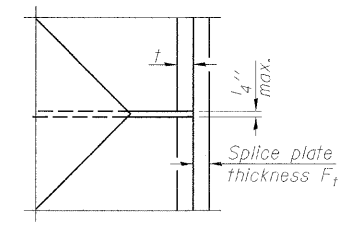
ELEVATION

WELDED PLATE FIELD SPLICE



END VIEW

Designation	F	F _t	F _w	W	W _t	W _w
HP 14x117	12 1/2"	1"	7/8"	7 3/4"	5/8"	1/2"
x102	12 1/2"	7/8"	3/4"	7 3/4"	5/8"	1/2"
x89	12 1/2"	3/4"	1/2"	7 3/4"	5/8"	1/2"
x73	12 1/2"	5/8"	9/16"	7 3/4"	5/8"	1/2"
HP 12x84	10"	7/8"	1/2"	6 1/2"	5/8"	1/2"
x74	10"	7/8"	1/2"	6 1/2"	5/8"	1/2"
x63	10"	5/8"	1/2"	6 1/2"	1/2"	3/8"
x53	10"	5/8"	1/2"	6 1/2"	1/2"	3/8"
HP 10x57	8"	3/4"	9/16"	5 1/4"	1/2"	3/8"
x42	8"	5/8"	9/16"	5 1/4"	1/2"	3/8"
HP 8x36	7"	5/8"	7/16"	4 1/4"	1/2"	3/8"



DETAIL D

* Use joint conforming to Figure 3.4 in AWS D1.1, Structure Welding Code - Steel.
** Preparation per Fig. 5.2 in AWS D1.1, Structure Welding Code - Steel.
*** Interrupt welds 1/4" from end of each pile.

Note:
The steel H-piles shall be according to AASHTO M270 Grade 50.

STEEL PILE DETAILS
UTICA ROAD (IL. RTE. 178) over F.A.I. ROUTE 80
SECTION 50-3HBK
LaSALLE COUNTY
STATION 115+00.00
STRUCTURE NO. 050-0248

© Copyright Hanson Professional Services Inc. 2009



JOB NO.
05S2015
DATE
10/12/09

12/23/2009
 C:\PW_E\paw\5-01F-P-001.dgn
 LAYOUT: MMW 11/16/05
 DRAWN: ACZ 1/15/07
 REVIEWED: JST 1/15/07