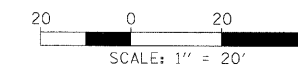
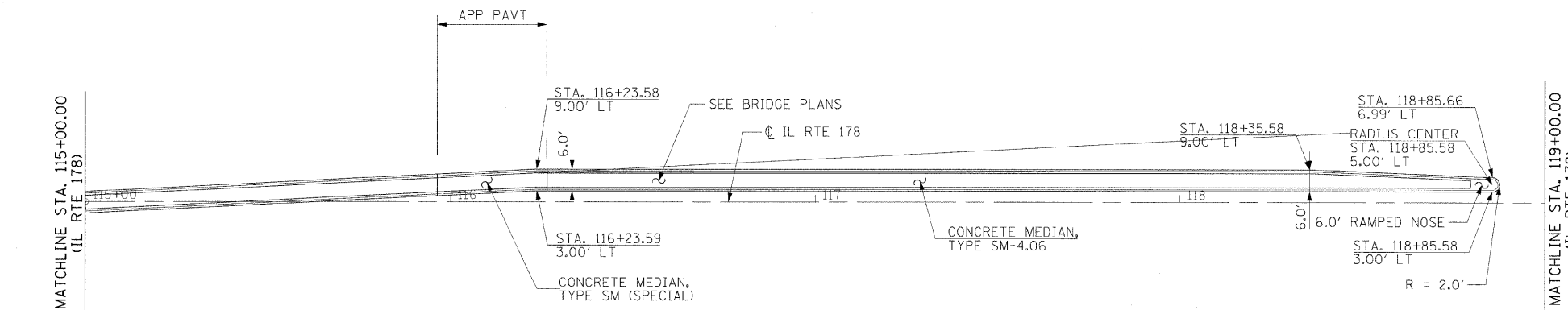
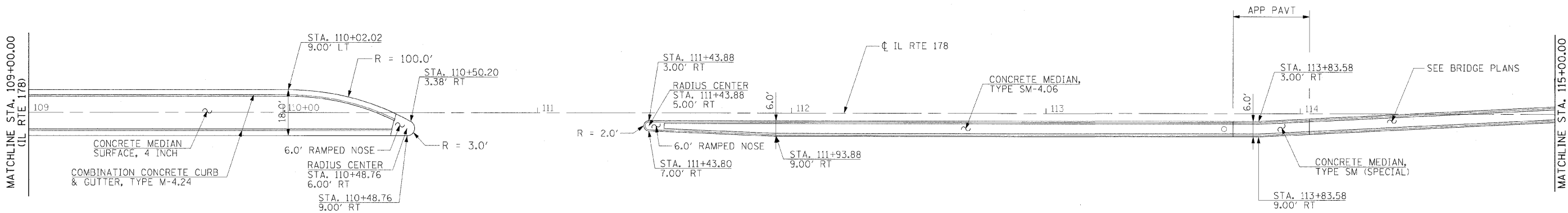
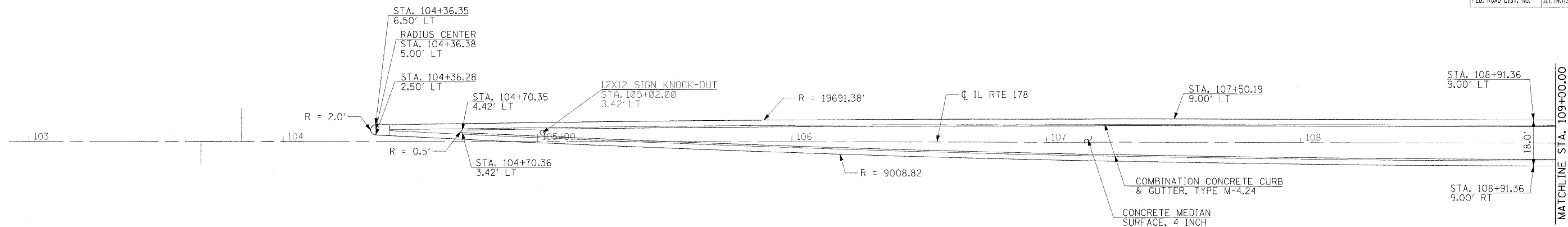


F.A.I. RTE.	SECTION	COUNTY	TOTAL SHEETS	SHEET NO.
80	(50-3)HBK	LASALLE	492	299
STA.		TO STA.		
FED. ROAD DIST. NO.		ILLINOIS FED. AID PROJECT		



REVISIONS	
NAME	DATE

ILLINOIS DEPARTMENT OF TRANSPORTATION

IL RTE 178 PROPOSED
MEDIAN DETAIL

SCALE: VERT. N/A
HORIZ. 1" = 20'

DATE _____ DRAWN BY MEW
CHECKED BY _____

MODEL NAME = Median_Sht 1
 PLOT DATE = 12/23/2009
 PLOT SCALE = 20.0000
 USER NAME = jehna00944

LAYOUT	MEW	01/05/06
DRAWN	MEW	01/05/06
REVIEWED	MTM	10/11/07

HANSON
 Hanson Professional Services Inc.
 1525 South Sixth Street
 Springfield, Illinois 62703-2886
 Offices Nationwide

© Copyright Hanson Professional Services Inc. 2009