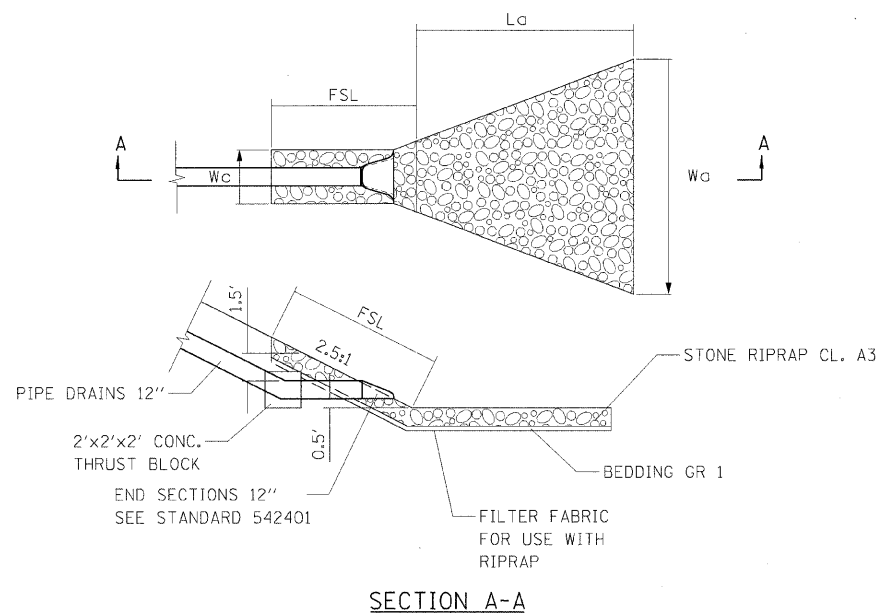
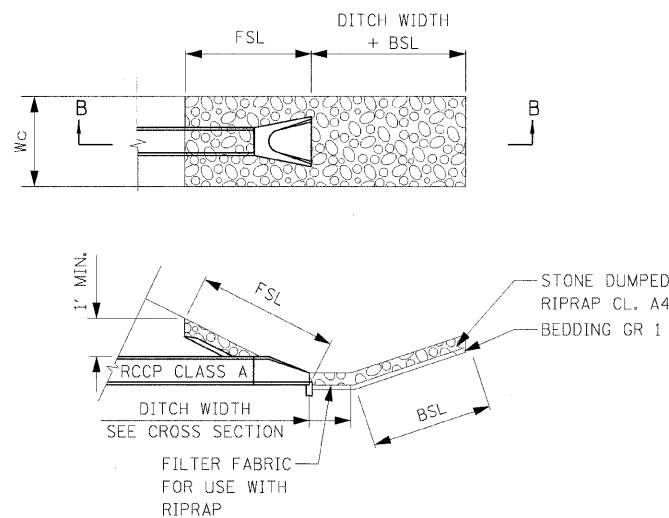


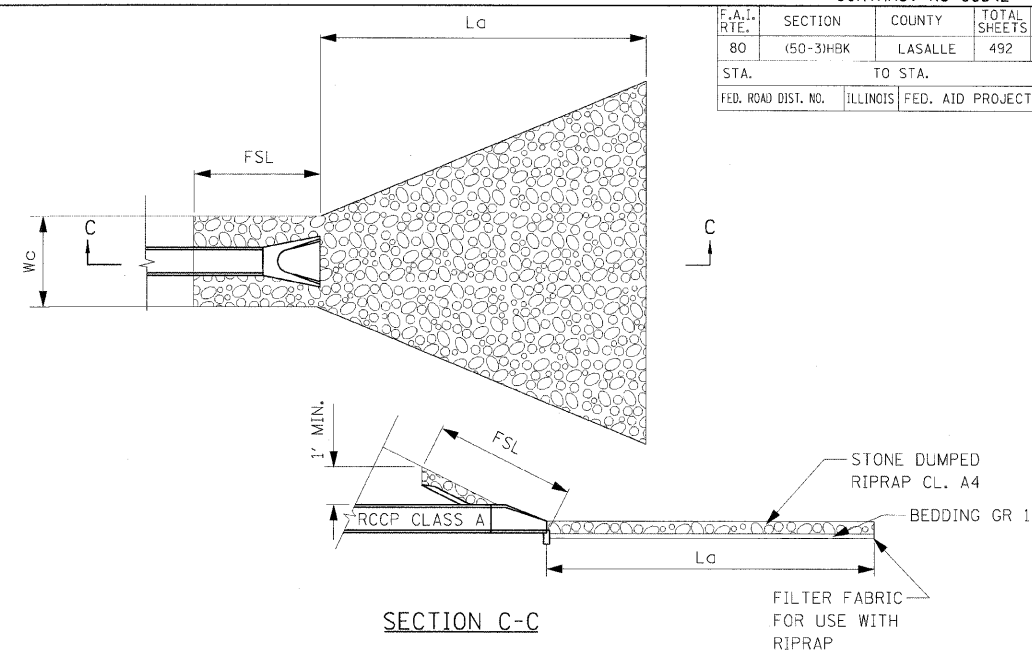
F.A.I. RTE.	SECTION	COUNTY	TOTAL SHEETS	SHEET NO.
80	(50-3)H&K	LASALLE	492	306
STA.		TO STA.		
FED. ROAD DIST. NO.		ILLINOIS FED. AID PROJECT		



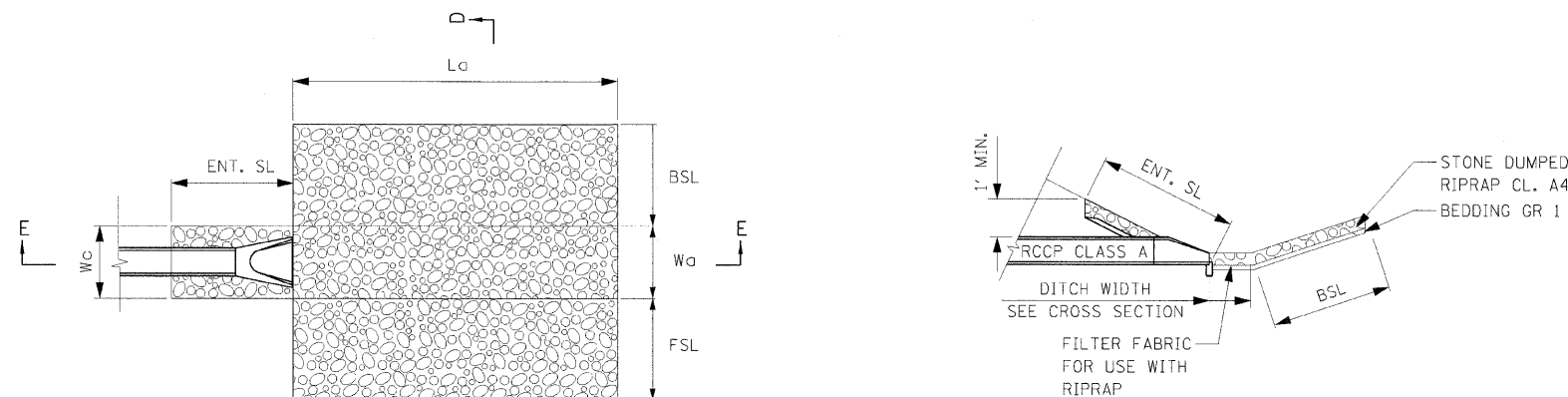
SECTION A-A
PIPE DRAINS 12"
STONE RIPRAP OUTLET PROTECTION DETAIL NO. I



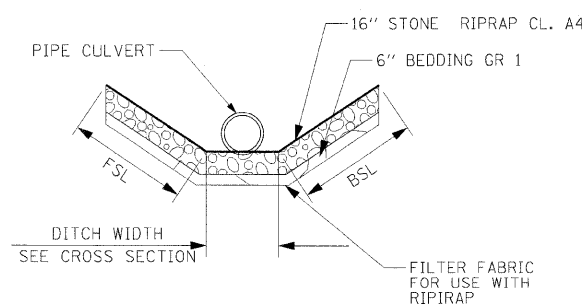
SECTION B-B
STONE RIPRAP OUTLET PROTECTION DETAIL NO. II



SECTION C-C
STONE RIPRAP OUTLET PROTECTION DETAIL NO. III



SECTION E-E
STONE RIPRAP OUTLET PROTECTION DETAIL NO. IV



SECTION D-D
STONE RIPRAP OUTLET PROTECTION DETAIL NO. IV

STR. NO.	ROADWAY	RIPRAP CLASS	DETAIL NO.	Wc (FT)	Wa (FT)	La (FT)	BSL (FT)	FSL (FT)	ENT. SL (FT)	AREA (SQ. YD.)	PIPE DIA. (IN)
301	RAMP I	RR-4	II	12	12	9	6	13	0	37.8	S45xR29
315	RAMP J	RR-4	III	6	22	20	20	0	0	62.2	24
317	RAMP J	RR-4	III	5	17	15	6	0	0	25.1	18
320	RAMP J	RR-3	III	5	17	15	6	0	0	25.1	18
326	RAMP K	RR-4	II	6	6	9	6	13	0	18.7	24
327	RAMP K	RR-3	III	6	22	20	0	12	0	39.1	24
328	RAMP K	RR-4	II	6	6	4	8	14	0	17.3	24
341	Ramp L	RR-4	III	6	22	20	0	13	0	39.8	24
363	IL 178	RR-3	I	3	13	12	0	7	0	13.0	12
366	IL 178	RR-3	I	3	13	12	0	7	0	13.0	12
375	IL 178	RR-3	I	3	13	12	0	7	0	13.0	12
378	IL 178	RR-3	I	3	13	12	0	7	0	13.0	12
384	IL 178 FE	RR-4	IV	4	4	12	6	7	7	23.1	15
388	IL 178	RR-4	III	12	28	24	0	13	0	70.2	S48 x R36
409	IL 178	RR-3	IV	4	4	12	6	7	7	23.1	15
417	IL 178	RR-3	IV	6	6	12	6	5	9	28.7	24

Wc & Wa ARE LOCATED ABOUT CULVERT MIDPOINT AT OUTLET
 FSL - FORESLOPE
 BSL - BACKSLOPE
 Wc - WIDTH AT CULVERT
 Wa - WIDTH AT APRON

REVISIONS		ILLINOIS DEPARTMENT OF TRANSPORTATION
NAME	DATE	
		DRAINAGE & UTILITY RIPRAP DETAIL
N.T.S.		DRAWN BY RLS CHECKED BY MTM