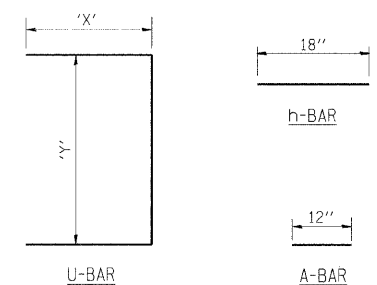
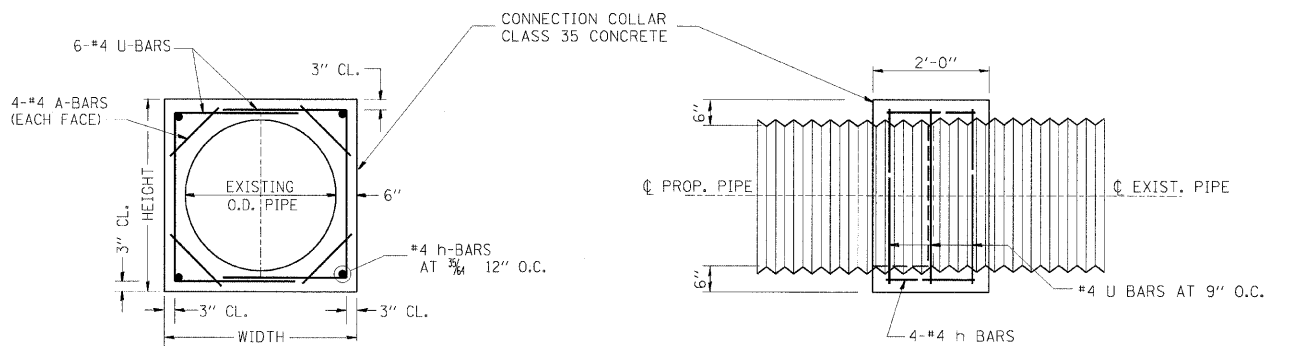


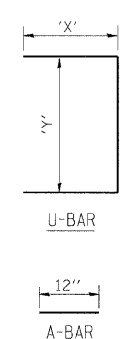
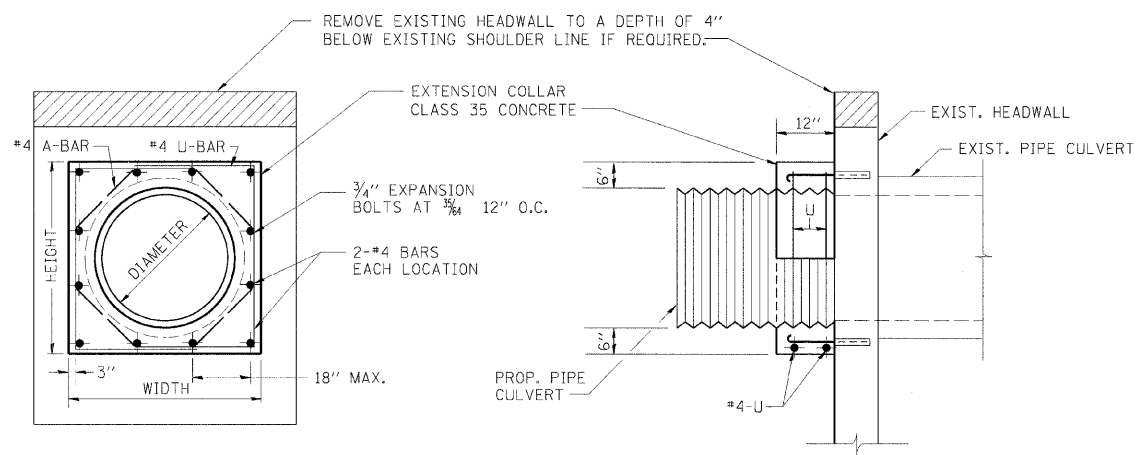
STATION	OFFSET	LT/RT	EXISTING CULVERT SIZE	EXTENSION COLLAR		A-BAR		U-BAR		h-BAR	CONC. COLLAR	REINFORCEMENT BARS
				WIDTH	HEIGHT	12	'X'	'Y'	QTY			
	FT.		FT. x FT.	IN.	IN.	IN.	IN.	IN.	IN.	IN.	CU. YD.	POUND

COLLAR DETAILS (CMP EXTENSION OF PIPE CULVERT)  
(RCP TO CMP)



STATION	OFFSET	LT/RT	EXISTING CULVERT SIZE	EXTENSION COLLAR		A-BAR		U-BAR		h-BAR	CONC. COLLAR	REINFORCEMENT BARS
				WIDTH	HEIGHT	12	'X'	'Y'	QTY			
	FT.		DIA.	IN.	IN.	IN.	IN.	IN.	IN.	IN.	CU. YD.	POUND

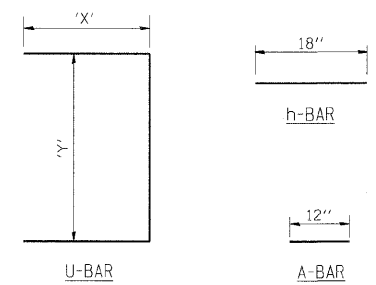
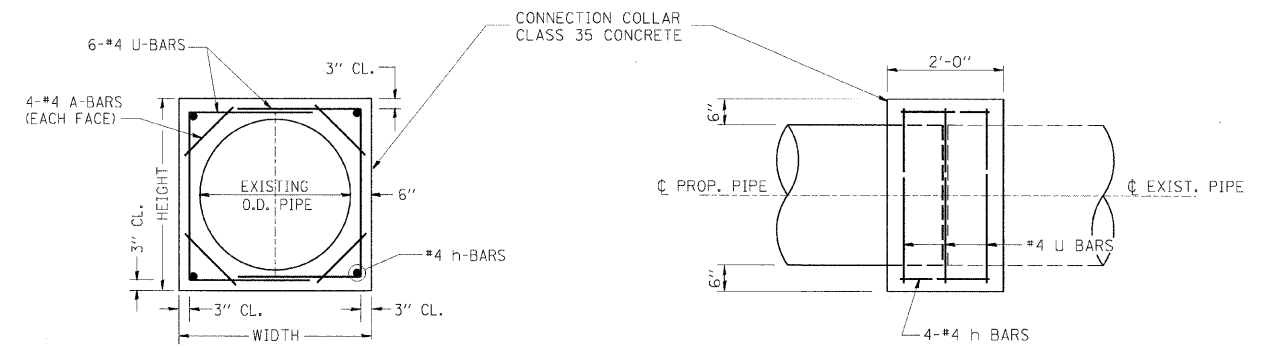
COLLAR DETAIL (DIRECT PIPE CULVERT EXTENSION)  
(CMP TO CMP)



EXPANSION BOLTS SHALL CONSIST OF SELF DRILLING EXPANSION SHIELDS AND 3/4" DIA. HOOKED BOLTS. HOOKED BOLTS SHALL EXTEND A MINIMUM OF 9" INTO NEW CONCRETE. MINIMUM CERTIFIED PROOF LOAD = 4,080 LBS.

STATION	OFFSET	LT/RT	EXISTING CULVERT SIZE	PIPE DIMENSION	PIPE AREA	EXTENSION COLLAR		A-BAR		U-BAR		CLASS 35 CONC. COLLAR	REINFORCEMENT BARS	3/4" DIA. EXPANSION BOLTS
						WIDTH	HEIGHT	12	'X'	'Y'	QTY			
	FT.		DIA. IN.	DIA. IN.	SQ. FT.	IN.	IN.	IN.	IN.	IN.	IN.	CU. YD.	POUND	EACH

COLLAR DETAILS (CMP EXTENSION OF PIPE CULVERT)  
(COLLAR AT HEADWALL)



LOCATION	EXISTING CULVERT SIZE	EXTENSION COLLAR		A-BAR		U-BAR		h-BAR	CONC. COLLAR	REINFORCEMENT BARS
		WIDTH	HEIGHT	12	'X'	'Y'	18			
	FT. x FT.	IN.	IN.	IN.	IN.	IN.	IN.	IN.	CU. YD.	POUND

COLLAR DETAIL (DIRECT PIPE CULVERT EXTENSION)  
(COLLAR AT HEADWALL)

PLOT DATE = 12/23/2009  
FILE NAME = G:\PW\_Export\LC-0000DRN.dgn  
PLOT SCALE = 50.00000 / 1 in.  
USER NAME = Johna00944