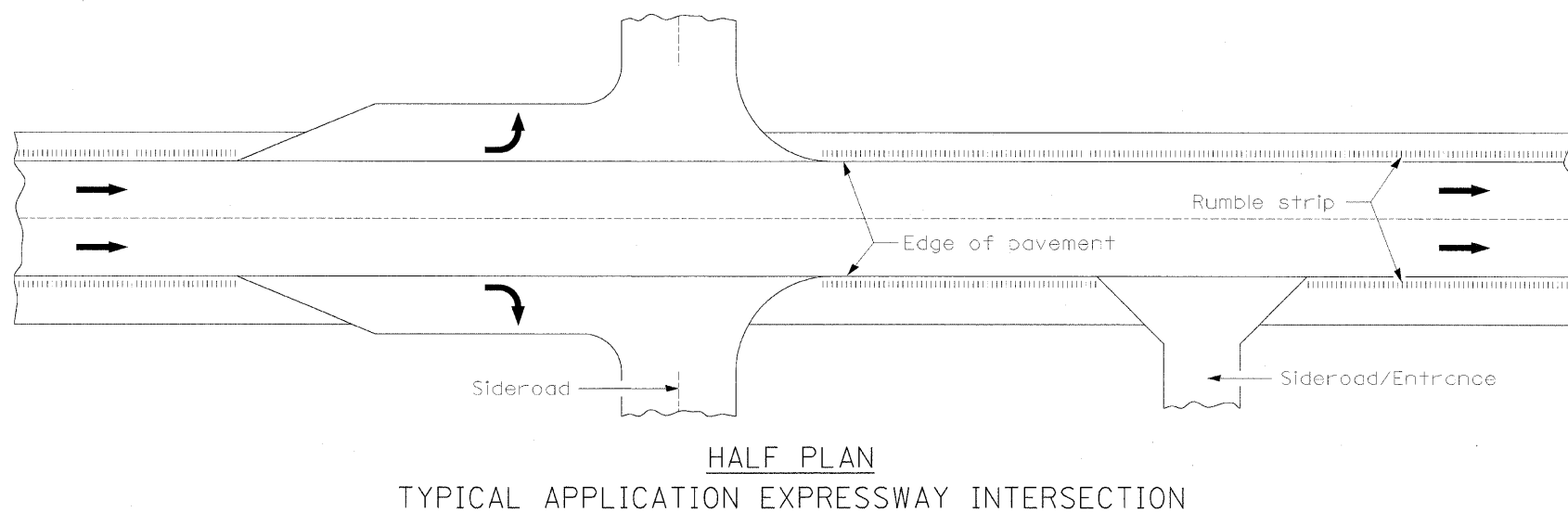
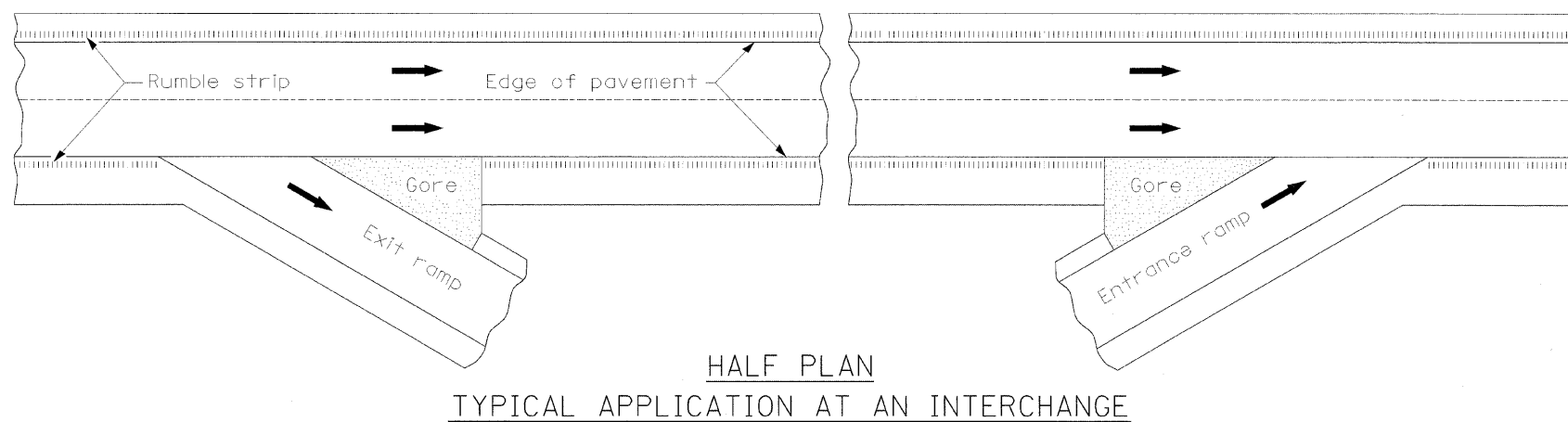
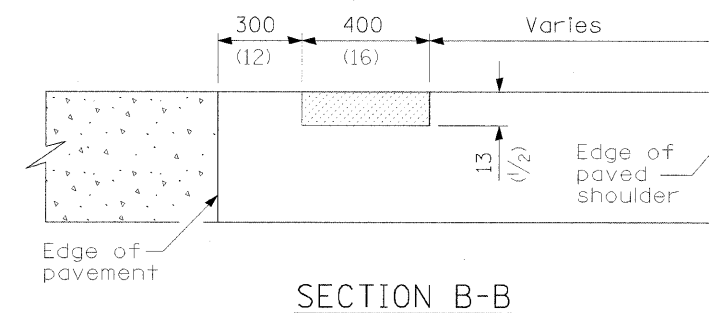
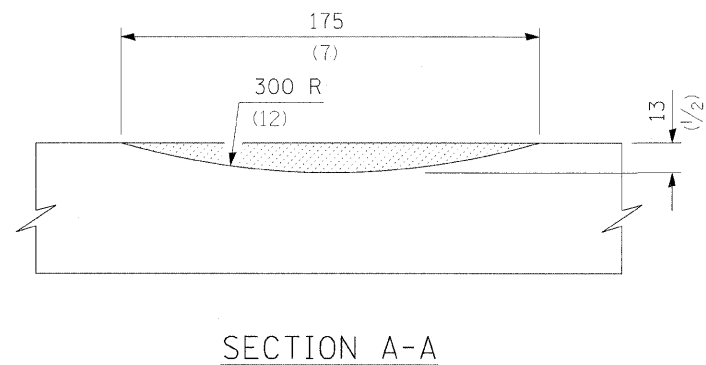
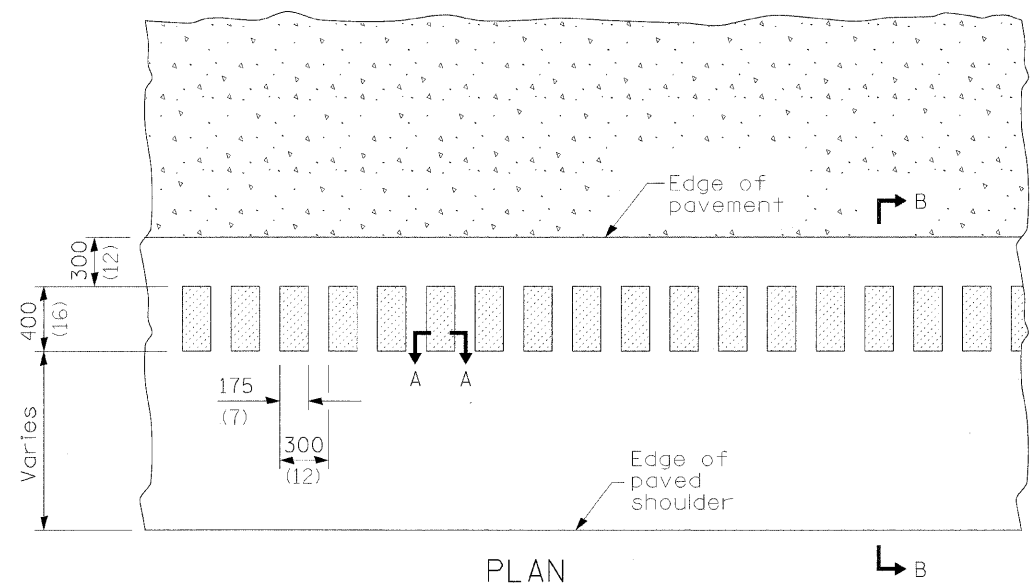


F.A.I. RTE.	SECTION	COUNTY	TOTAL SHEETS	SHEET NO.
80	150-31HBK	LASALLE	492	309
STA.		TO STA.		
FED. ROAD DIST. NO.	ILLINOIS	FED. AID PROJECT		



GENERAL NOTES

On Portland cement concrete shoulders, no shoulder rumble strip shall be located closer than 150 mm (6") of a traverse joint.

Omit shoulder rumble strips across structures.

All dimensions are in millimeters (inches) unless otherwise shown.

REVISIONS	
NAME	DATE

ILLINOIS DEPARTMENT OF TRANSPORTATION

SHOULDER RUMBLE STRIPS  
DETAIL

SCALE: VERT. N/A  
HORIZ. N/A  
DATE

DRAWN BY IDOT  
CHECKED BY MTM

© Copyright Hanson Professional Services Inc. 2009  
**HANSON**  
Hanson Professional Services Inc.  
1525 South Sixth Street  
Springfield, Illinois 62703-2886  
Offices Nationwide

MODEL NAME	SHOULDER RUMBLE STRIPS
PLOT DATE	12/23/2009
PLOT SCALE	1:1
USER NAME	JohnM00144
LAYOUT	B/24/06
DRAWN	1/01/07
REVIEWED	MTM